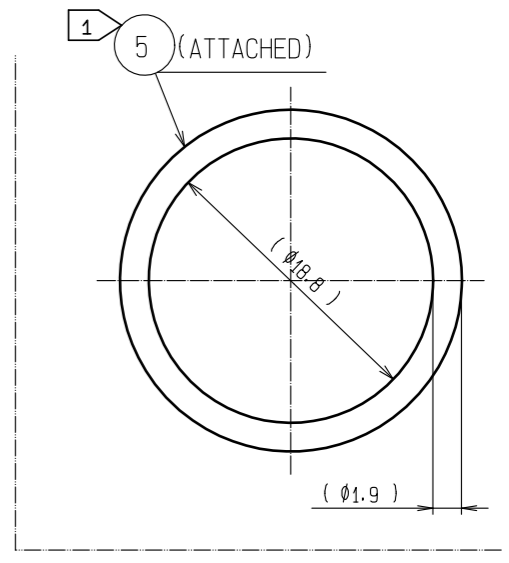
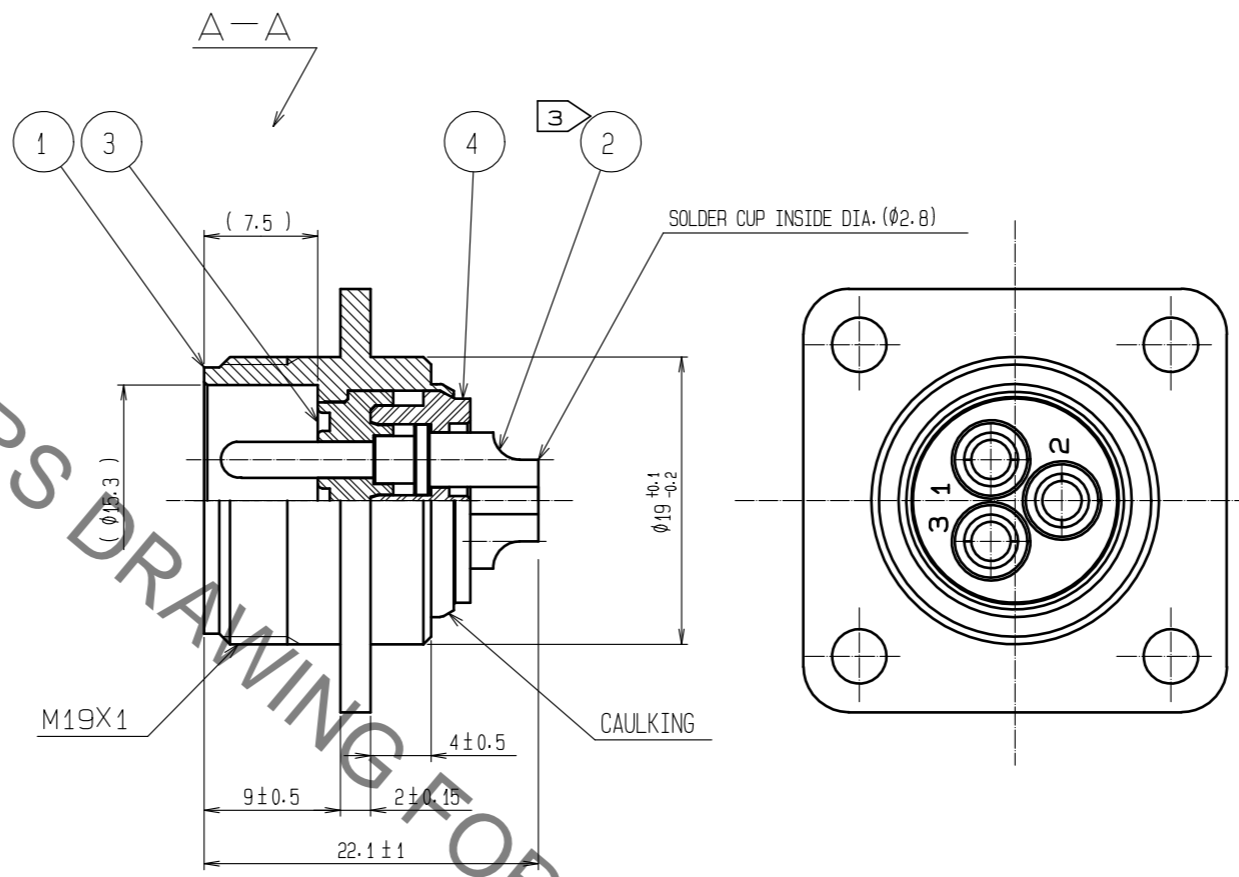
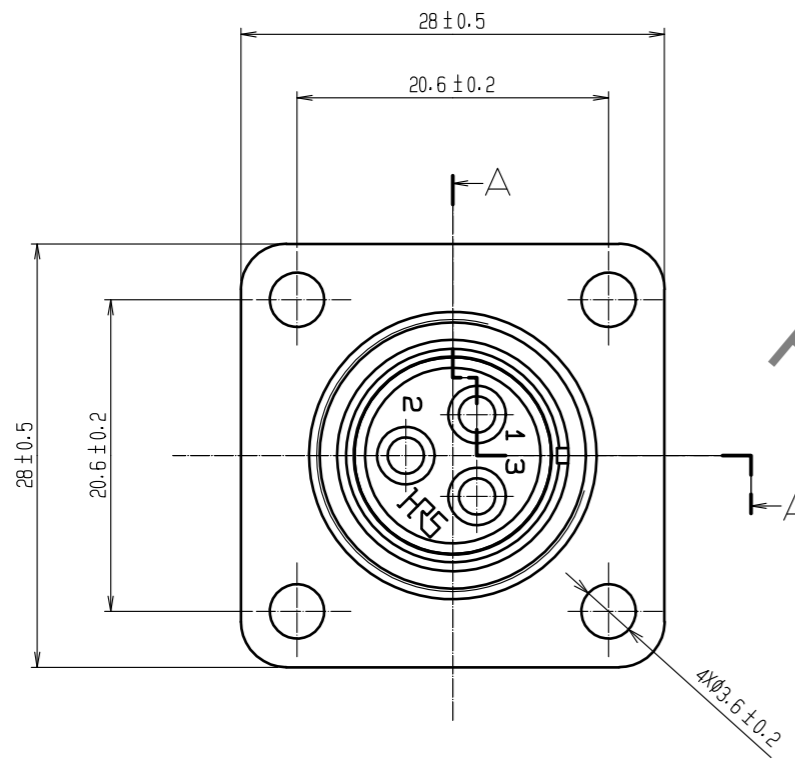
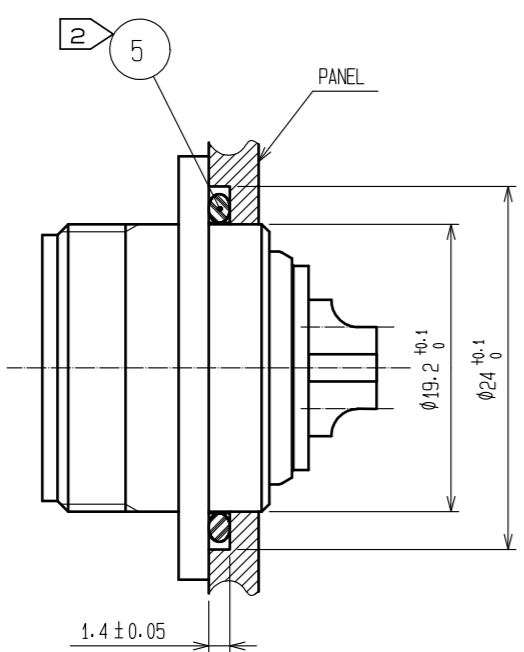


Sep.1.2021 Copyright 2021 HIROSE ELECTRIC CO., LTD. All Rights Reserved.  
In case of consideration for using Automotive equipment / device which demand high reliability, kindly contact our sales window correspondents.



1 FIG. -1 REF. NO. ⑤ PANEL CUTOUT



NOTES  
 1 WHEN WATERPROOFING WITH PANEL, USE REF. NO. ⑤ (O-RING). THE DIMENSION OF ATTACHING REF. NO. ⑤ TO A PANEL IS SHOWN IN FIG-1.  
 2 WHEN MOUNTED ON CHASSIS, BE CAREFUL THAT REFERENCE NO. ⑤ IS FITTED INTO THE INDICATED GROOVE WITHOUT ANY BITING.  
 3 THE DIRECTION OF SOLDER CUP, REF. NO. ② IS AN EXAMPLE.

3	Diallyl phthalate	(Black) UL94V-0			
2	Brass	Over plating: Gold 0.2 μm min. Under plating: Nickel 3 μm min.	5	Silicone rubber	(Black)
1	Zinc alloy	Cromate plating	4	Diallyl phthalate	(Black) UL94V-0
NO.	MATERIAL	FINISH . REMARKS	NO.	MATERIAL	FINISH . REMARKS
UNITS	mm	SCALE	2 : 1	COUNT	1
DESCRIPTION OF REVISIONS			DESIGNED	CHECKED	DATE
DIS-C-00007457			TY. SUZUKI	HY. KOBAYASHI	20210806
APPROVED : MO. SATOH		20070320	DRAWING NO. EDC3-111094-72		
CHECKED : MO. SATOH		20070320	PART NO. RM15WTRZB-3P(72)		
DESIGNED : TP. KOMATSU		20070320	CODE NO. CL0109-1672-0-72		
DRAWN : MK. SATO		20070320	1/1		

## X-ON Electronics

Largest Supplier of Electrical and Electronic Components

*Click to view similar products for [Standard Circular Connector](#) category:*

*Click to view products by [Hirose](#) manufacturer:*

Other Similar products are found below :

[5M2530B10P](#) [600259N006](#) [600273N007](#) [6134-336-13149](#) [6134-337-11149](#) [6134-337-2390](#) [6134-341-17149](#) [6280-4SG-516](#) [6280-7SG-3DC](#)  
[6290](#) [6291A](#) [66200A-10](#) [680-SMG](#) [681-PMG](#) [CXS3102A14S2P](#) [CXS3102A181S](#) [7251-6SG-300](#) [7271-6SG-300](#) [7282-3PG-300-CH3](#) [75-](#)  
[474014-05S](#) [75-474618-01S](#) [75-474618-04S](#) [799539-000](#) [MI8-SE](#) [805-005-07NF11-19PC](#) [805-005-07NF15-7PA](#) [8280-4PG-516](#) [8280-7PG-](#)  
[519](#) [8282-5PG-519](#) [836783-1](#) [MP-4102-25P-C](#) [862256-1](#) [864019-2](#) [866857-1](#) [867865-1](#) [PT01SP-14-18P](#) [PT08P-14-5S](#) [PTSF06SE-14-12S](#)  
[120-1833-000](#) [QCM019PC2DC012B](#) [1-2069279-1](#) [121583-0217](#) [121667-0020](#) [129591AU](#) [1000B BULK](#) [RD10A16-19-P6CS051/1](#)  
[RD10A20-31-P8CS051/1](#) [RD16A14-12-S6CS051/2](#) [1301240290](#) [1301240347](#) [1301860202](#)