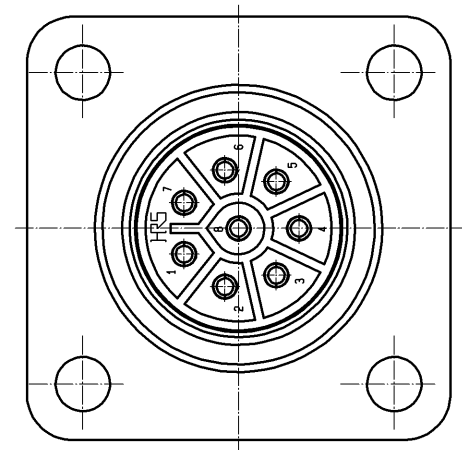
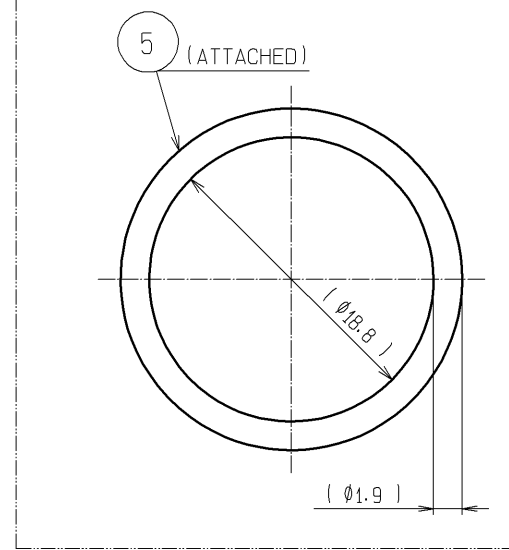
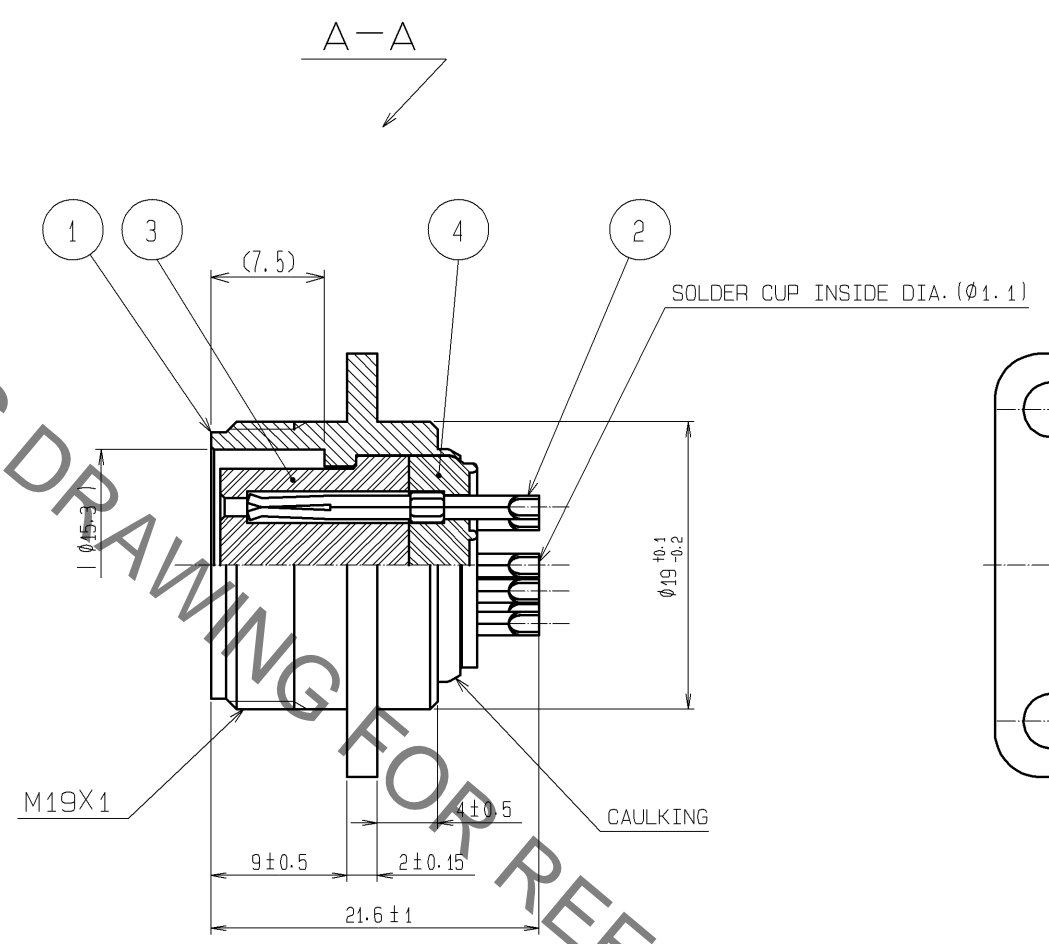
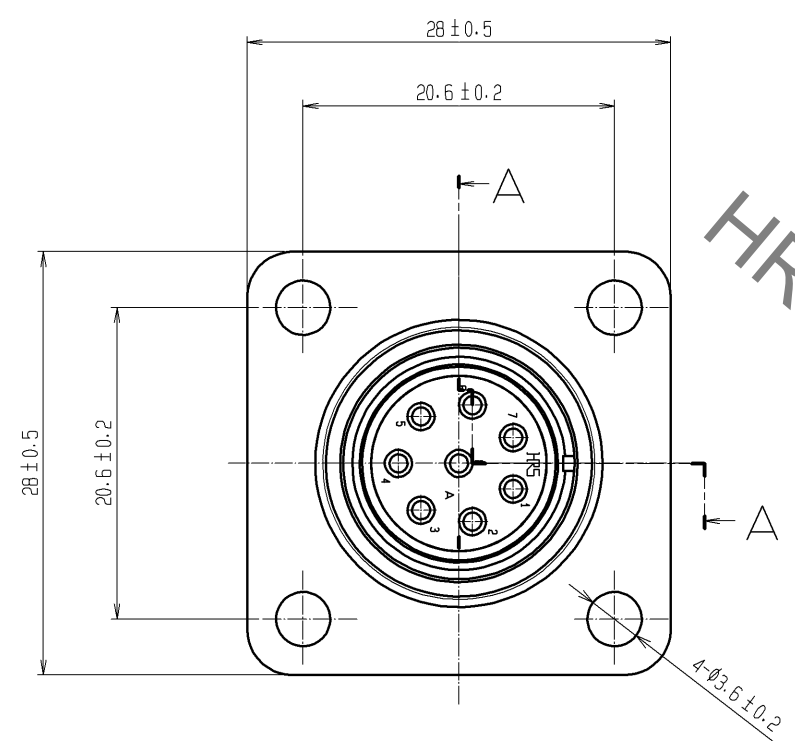
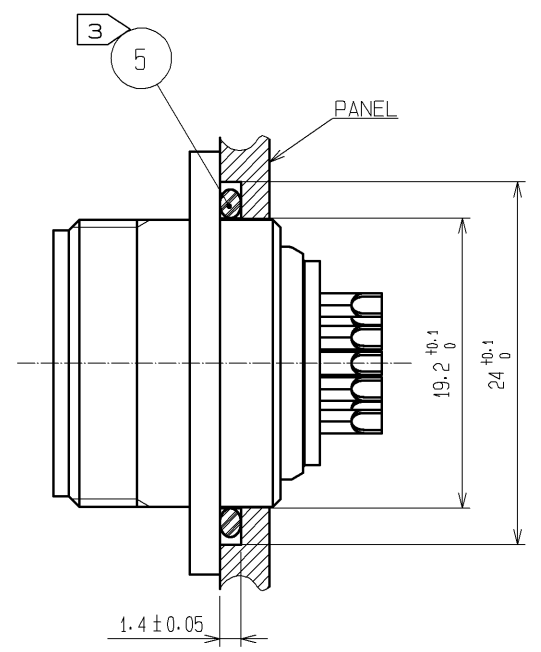


Jun.1.2019 Copyright 2019 HIROSE ELECTRIC CO., LTD. All Rights Reserved.
In case of consideration for using Automotive equipment / device which demand high reliability, kindly contact our sales window correspondents.



2 FIG. -1 REF. NO. ⑤ PANEL CUTOUT



- NOTES
- 1 SURFACE AREA :GOLD PLATING 0.2μm min.
UNDER PLATING:NICKEL PLATING 3μm min.
 - 2 WHEN WATERPROOFING WITH PANEL,USE REF.NO. ⑤ (O-RING).
THE DIMENSION OF ATTACHING REF.NO. ⑤ TO A PANEL IS SHOWN IN FIG-1.
 - 3 WHEN MOUNTED ON CHASSIS,BE CAREFUL THAT REFERENCE NO. ⑤ IS FITTED INTO THE INDICATED GROOVE WITHOUT ANY BITING.

3	DIALLYL PHTHALATE	(BLACK) UL94V-0							
2	BRASS	1	5	SILICONE RUBBER	(BLACK)				
1	ZINC ALLOY	CHROMATE PLATING	4	DIALLYL PHTHALATE	(BLACK) UL94V-0				
NO.	MATERIAL	FINISH	REMARKS	NO.	MATERIAL	FINISH	REMARKS		
UNITS	mm	SCALE	2 : 1	COUNT	△	DESCRIPTION OF REVISIONS	DESIGNED	CHECKED	DATE
HRS HIROSE ELECTRIC CO., LTD.		APPROVED	: MO. SATOH	08.02.04	DRAWING NO.	EDC3-111102-72			
		CHECKED	: HY. KOBAYASHI	08.02.01	PART NO.	RM15WTRZB-8S(72)			
		DESIGNED	: DS. MATSUNE	08.02.01	CODE NO.	CL109-1680-8-72			
		DRAWN	: HN. TANAKA	08.01.10		△ 1/1			

X-ON Electronics

Largest Supplier of Electrical and Electronic Components

Click to view similar products for [Standard Circular Connector](#) category:

Click to view products by [Hirose](#) manufacturer:

Other Similar products are found below :

[5M2530B10P](#) [600259N006](#) [600273N007](#) [6134-336-13149](#) [6134-337-11149](#) [6134-337-2390](#) [6134-341-17149](#) [6280-4SG-516](#) [6280-7SG-3DC6290](#) [6291A](#) [66200A-10](#) [680-SMG](#) [681-PMG](#) [CXS3102A14S2P](#) [CXS3102A181S](#) [7251-6SG-300](#) [7271-6SG-300](#) [7282-3PG-300-CH3](#) [75-474014-05S](#) [75-474618-01S](#) [75-474618-04S](#) [799539-000](#) [MI8-SE](#) [805-005-07NF11-19PC](#) [805-005-07NF15-7PA](#) [8280-4PG-516](#) [8280-7PG-519](#) [8282-5PG-519](#) [836783-1](#) [MP-4102-25P-C](#) [862256-1](#) [864019-2](#) [866857-1](#) [867865-1](#) [PT01SP-14-18P](#) [PT08P-14-5S](#) [PTSF06SE-14-12S120-1833-000](#) [QCM019PC2DC012B](#) [1-2069279-1](#) [121583-0217](#) [121667-0020](#) [129591AU](#) [1000B BULK](#) [RD10A16-19-P6CS051/1](#)
[RD10A20-31-P8CS051/1](#) [RD16A14-12-S6CS051/2](#) [1301240290](#) [1301240347](#) [1301860202](#)