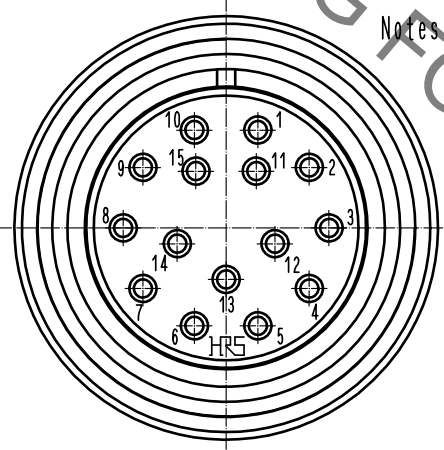
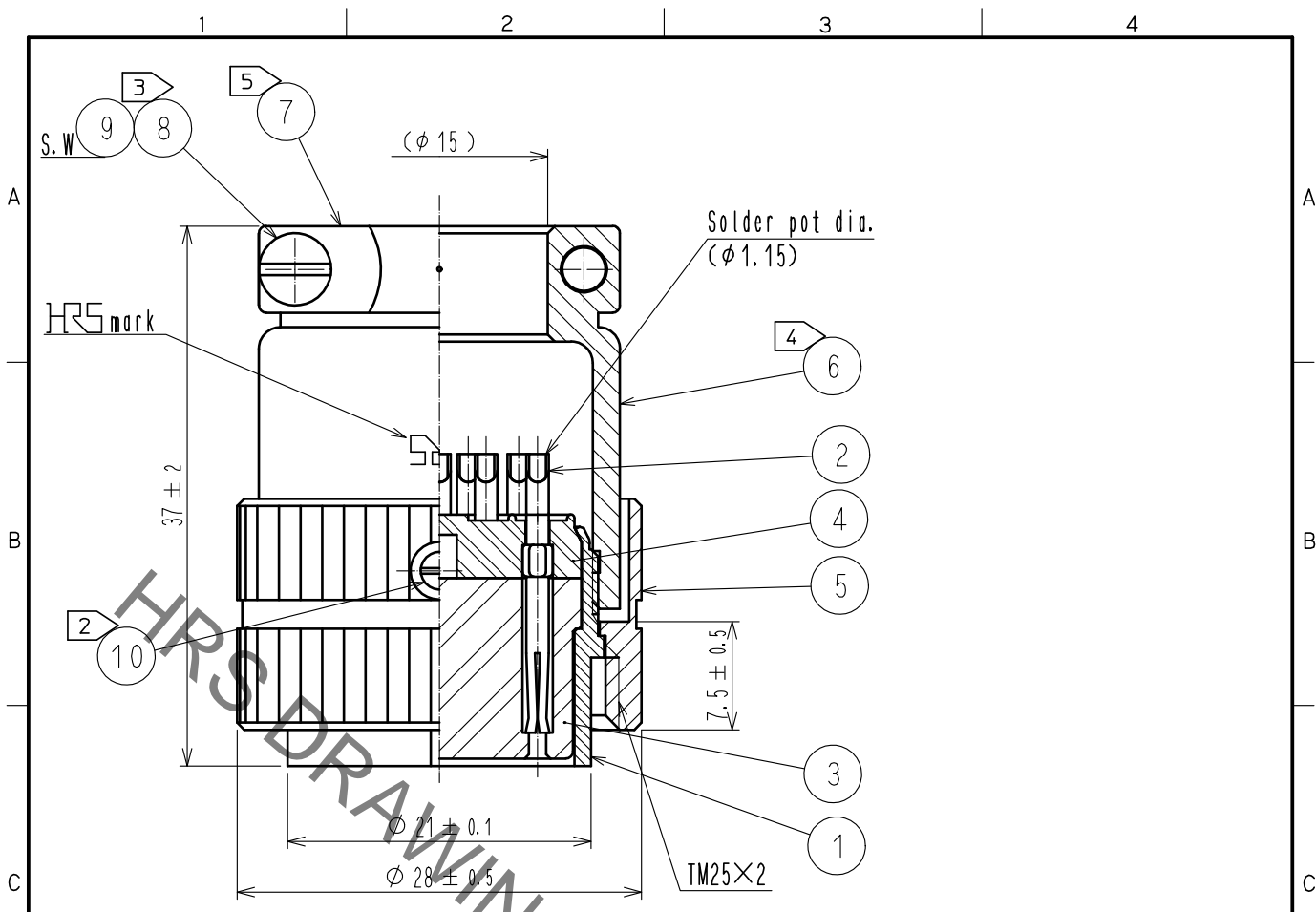


Jun.1.2019 Copyright 2019 HIROSE ELECTRIC CO., LTD. All Rights Reserved.
 In case of consideration for using Automotive equipment / device which demand high reliability, kindly contact our sales window correspondents.



- Notes
- 1 Rotation examples of ref. No. ① and ⑥ are shown.
 - 2 The recommended clamp torque of ref. No. ⑩ : 0.2 to 0.3 N·m.
 LOCTITE 243, HENKEL JAPAN or equivalent is recommended to prevent ref. No. ⑩ from loosening.
 - 3 The recommended clamp torque of ref. No. ⑧ : 0.6 to 0.7 N·m.
 - 4 The recommended clamp torque of ref. No. ⑥ : 2 to 3 N·m.
 - 5 Clamp movable range of ref. No. ⑦ max 15, min 8.
 - 6 The cable pull and twisting strength and other characteristics may differ.
 Please confirm before the use.

5	BRASS	NICKEL PLATING	10	BRASS	NICKEL PLATING	JIS B 1117 M2.6×0.45×2
4	PPS	(BLACK) UL94V-0	9	PHOSPHOR BRONZE	NICKEL PLATING	
3	PPS	(BLACK) UL94V-0	8	BRASS	NICKEL PLATING	JIS B 1101 M3×0.5×12
2	COPPER ALLOY	SILVER PLATING 5 μm.	7	BRASS	NICKEL PLATING	
1	BRASS	NICKEL PLATING	6	BRASS	NICKEL PLATING	
NO.	MATERIAL	FINISH . REMARKS	NO.	MATERIAL	FINISH . REMARKS	

UNITS mm	SCALE 2 : 1	COUNT	DESCRIPTION OF REVISIONS	DESIGNED	CHECKED	DATE
HRS HIROSE ELECTRIC CO., LTD.			APPROVED : SU. OBARA 15.10.26 CHECKED : HY. KOBAYASHI 15.10.26 DESIGNED : KN. IKEHARA 15.10.26 DRAWN : KN. IKEHARA 15.10.26	DRAWING NO. EDC-003735-81-00 PART NO. RM21TP-15S(81) CODE NO. CL109-0321-0-81		

X-ON Electronics

Largest Supplier of Electrical and Electronic Components

Click to view similar products for [Standard Circular Connector](#) category:

Click to view products by [Hirose](#) manufacturer:

Other Similar products are found below :

[5M2530B10P](#) [600259N006](#) [600273N007](#) [6134-336-13149](#) [6134-337-11149](#) [6134-337-2390](#) [6134-341-17149](#) [6280-4SG-516](#) [6280-7SG-3DC](#)
[6290](#) [6291A](#) [66200A-10](#) [680-SMG](#) [681-PMG](#) [CXS3102A14S2P](#) [CXS3102A181S](#) [7251-6SG-300](#) [7271-6SG-300](#) [7282-3PG-300-CH3](#) [75-](#)
[474014-05S](#) [75-474618-01S](#) [75-474618-04S](#) [799539-000](#) [MI8-SE](#) [805-005-07NF11-19PC](#) [805-005-07NF15-7PA](#) [8280-4PG-516](#) [8280-7PG-](#)
[519](#) [8282-5PG-519](#) [836783-1](#) [MP-4102-25P-C](#) [862256-1](#) [864019-2](#) [866857-1](#) [867865-1](#) [PT01SP-14-18P](#) [PT08P-14-5S](#) [PTSF06SE-14-12S](#)
[120-1833-000](#) [QCM019PC2DC012B](#) [1-2069279-1](#) [121583-0217](#) [121667-0020](#) [129591AU](#) [1000B BULK](#) [RD10A16-19-P6CS051/1](#)
[RD10A20-31-P8CS051/1](#) [RD16A14-12-S6CS051/2](#) [1301240290](#) [1301240347](#) [1301860202](#)