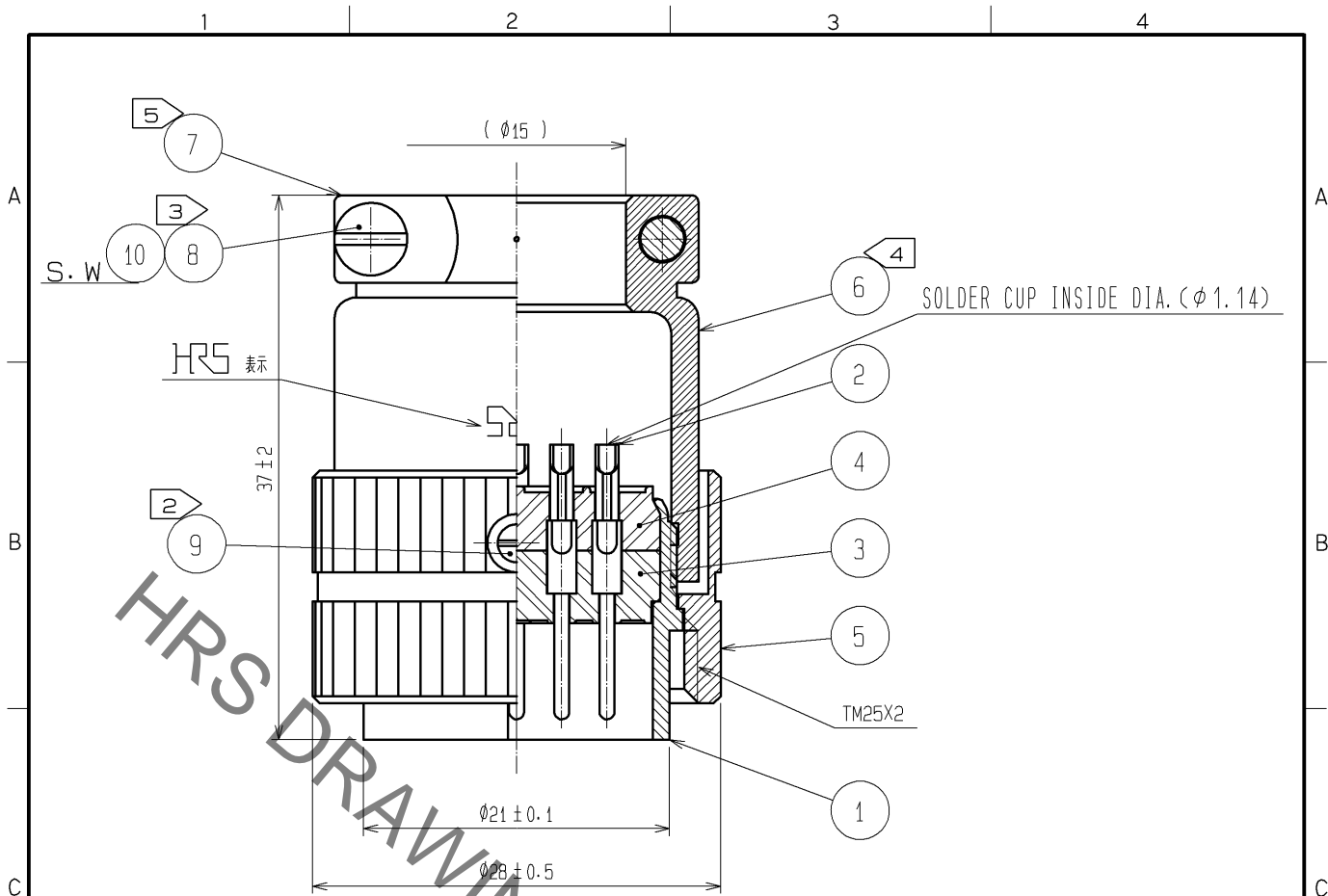


Jun.1.2019 Copyright 2019 HIROSE ELECTRIC CO., LTD. All Rights Reserved.
 In case of consideration for using Automotive equipment / device which demand high reliability, kindly contact our sales window correspondents.



- NOTES
- 1 ROTATION EXAMPLES OF REF. NO. ① AND ⑥ ARE SHOWN.
 - 2 THE RECOMMENDED CLAMP TORQUE OF REF. NO. ⑨ : 0.2 TO 0.3 N · m. LOCTITE 242, HENKEL JAPAN OR EQUIVALENT IS RECOMMENDED TO PREVENT REF. NO. ⑨ FROM LOOSENING.
 - 3 THE RECOMMENDED CLAMP TORQUE OF REF. NO. ⑧ : 0.6 TO 0.7 N · m.
 - 4 THE RECOMMENDED CLAMP TORQUE OF REF. NO. ⑥ : 2 TO 3 N · m.
 - 5 CLAMP MOVABLE RANGE OF REF. NO. ⑦ MAX 15, MIN 8.
 - 6 THE CABLE PULL AND TWISTING STRENGTH AND OTHER CHARACTERISTICS MAY DIFFER, PLEASE CONFIRM BEFORE THE USE.

5	BRASS	NICKEL PLATING	10	PHOSPHOR BRONZE	NICKEL PLATING
4	DIALLYL PHTHALATE	(BLACK) UL94V-0	9	BRASS	NICKEL PLATING JIS B 1117 M2.6×0.45×2
3	DIALLYL PHTHALATE	(BLACK) UL94V-0	8	BRASS	NICKEL PLATING JIS B 1101 M3×0.5×12
2	BRASS	SILVER PLATING 4μm min.	7	BRASS	NICKEL PLATING
1	BRASS	NICKEL PLATING	6	BRASS	NICKEL PLATING
NO.	MATERIAL	FINISH . REMARKS	NO.	MATERIAL	FINISH . REMARKS

UNITS mm	SCALE	COUNT	DESCRIPTION OF REVISIONS	DESIGNED	CHECKED	DATE
mm	2 : 1	△				
HIROSE ELECTRIC CO., LTD.			APPROVED : SU. OBARA 11.10.24 CHECKED : HY. KISHI 11.10.24 DESIGNED : WR. AJIRO 11.10.24 DRAWN : WR. AJIRO 11.10.24	DRAWING NO. EDC4-003428-71 PART NO. RM21TP-20P(71) CODE NO. CL109-0324-8-71	1/1	

X-ON Electronics

Largest Supplier of Electrical and Electronic Components

Click to view similar products for [Standard Circular Connector](#) category:

Click to view products by [Hirose](#) manufacturer:

Other Similar products are found below :

[5M2530B10P](#) [600259N006](#) [600273N007](#) [6134-336-13149](#) [6134-337-11149](#) [6134-337-2390](#) [6134-341-17149](#) [6280-4SG-516](#) [6280-7SG-3DC](#)
[6290](#) [6291A](#) [66200A-10](#) [680-SMG](#) [681-PMG](#) [CXS3102A14S2P](#) [CXS3102A181S](#) [7251-6SG-300](#) [7271-6SG-300](#) [7282-3PG-300-CH3](#) [75-](#)
[474014-05S](#) [75-474618-01S](#) [75-474618-04S](#) [799539-000](#) [MI8-SE](#) [805-005-07NF11-19PC](#) [805-005-07NF15-7PA](#) [8280-4PG-516](#) [8280-7PG-](#)
[519](#) [8282-5PG-519](#) [836783-1](#) [MP-4102-25P-C](#) [862256-1](#) [864019-2](#) [866857-1](#) [867865-1](#) [PT01SP-14-18P](#) [PT08P-14-5S](#) [PTSF06SE-14-12S](#)
[120-1833-000](#) [QCM019PC2DC012B](#) [1-2069279-1](#) [121583-0217](#) [121667-0020](#) [129591AU](#) [1000B BULK](#) [RD10A16-19-P6CS051/1](#)
[RD10A20-31-P8CS051/1](#) [RD16A14-12-S6CS051/2](#) [1301240290](#) [1301240347](#) [1301860202](#)