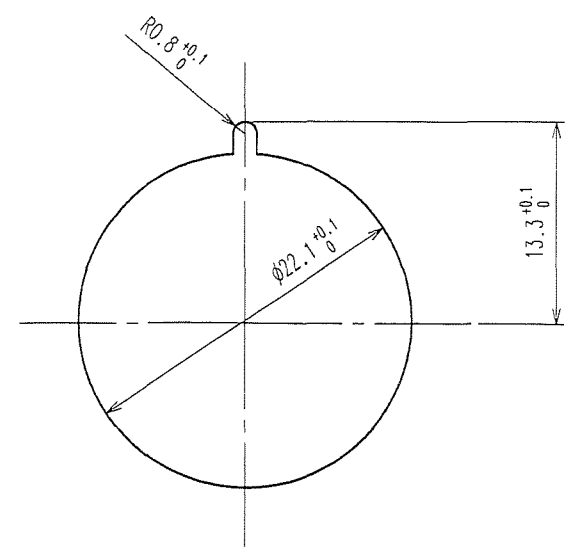
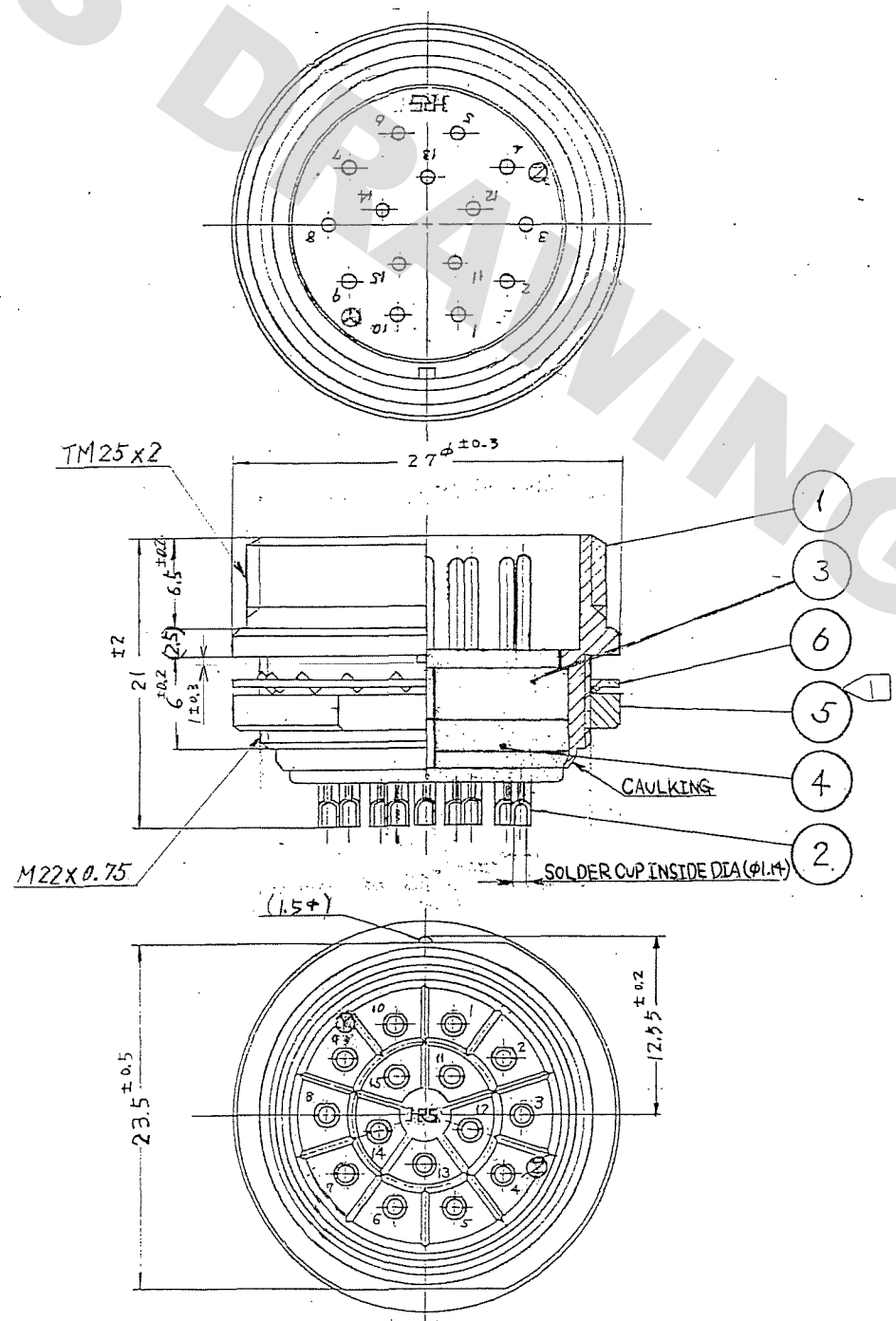


1 2 3 4 5 6 7 8

COUNT	DESCRIPTION OF REVISIONS	BY	CHKD	DATE	COUNT	DESCRIPTION OF REVISIONS	BY	CHKD	DATE
△					△				
△					△				
△					△				

A
B
C
D
E
F



PANEL CUTOUT
THICKNESS:2MAX

NOTES ① THE RECOMMENDED CLAMP TORQUE OF REF.NO.⑤ : 4 N·m.
LOCTITE 242, HENKEL JAPAN OR EQUIVALENT IS RECOMMENDED TO PREVENT REF.NO.⑤ FROM LOOSENING.

3	DIALYL PHTHALATE (BLACK)	UL94V-0	6	PHOSPHOR BRONZE	NICKEL PLATING
2	BRASS	SILVER PLATING 4μ m min.	5	BRASS	NICKEL PLATING
1	BRASS	NICKEL PLATING	4	DIALYL PHTHALATE (BLACK)	UL94V-0
NO.	MATERIAL	FINISH, REMARKS	NO.	MATERIAL	FINISH, REMARKS

CODE NO. (OLD) CL	DRAWN <i>M. Ishii</i> 06.09.14	DESIGNED <i>D. Matsume</i> 06.09.14	CHECKED <i>E. Kunii</i> 06.09.14	APPROVED <i>M. Saito</i> 06.09.15	RELEASED
SCALE 2 : 1	DRAWING NO. EDC3-003737-71	PART NO. RM21TR-15P(71)	CODE NO. CL109-0325-0-71		
UNITS mm	HRS HIROSE ELECTRIC CO., LTD		1/1		

DRAWING FOR REFERENCE: This is subject to change without notice
08/11/2012

TO
R

1 2 3 4 5 6 7 8

X-ON Electronics

Largest Supplier of Electrical and Electronic Components

Click to view similar products for [Standard Circular Connector](#) category:

Click to view products by [Hirose](#) manufacturer:

Other Similar products are found below :

[5M2530B10P](#) [600259N006](#) [600273N007](#) [6134-336-13149](#) [6134-337-11149](#) [6134-337-2390](#) [6134-341-17149](#) [6280-4SG-516](#) [6280-7SG-3DC](#)
[6290](#) [6291A](#) [66200A-10](#) [680-SMG](#) [681-PMG](#) [CXS3102A14S2P](#) [CXS3102A181S](#) [7251-6SG-300](#) [7271-6SG-300](#) [7282-3PG-300-CH3](#) [75-](#)
[474014-05S](#) [75-474618-01S](#) [75-474618-04P](#) [75-474618-04S](#) [799539-000](#) [MI8-SE](#) [805-005-07NF11-19PC](#) [805-005-07NF15-7PA](#) [8280-4PG-](#)
[516](#) [8280-7PG-519](#) [8282-5PG-519](#) [836783-1](#) [MP-4102-25P-C](#) [862256-1](#) [864019-2](#) [866857-1](#) [867865-1](#) [PT01SP-14-18P](#) [PT08P-14-5S](#)
[PTSF06SE-14-12S](#) [120-1833-000](#) [QCM019PC2DC012B](#) [1-2069279-1](#) [121583-0217](#) [121667-0020](#) [129591AU](#) [1000B BULK](#) [RD10A16-19-](#)
[P6CS051/1](#) [RD10A20-31-P8CS051/1](#) [RD16A14-12-S6CS051/2](#) [1301240290](#) [1301240347](#)