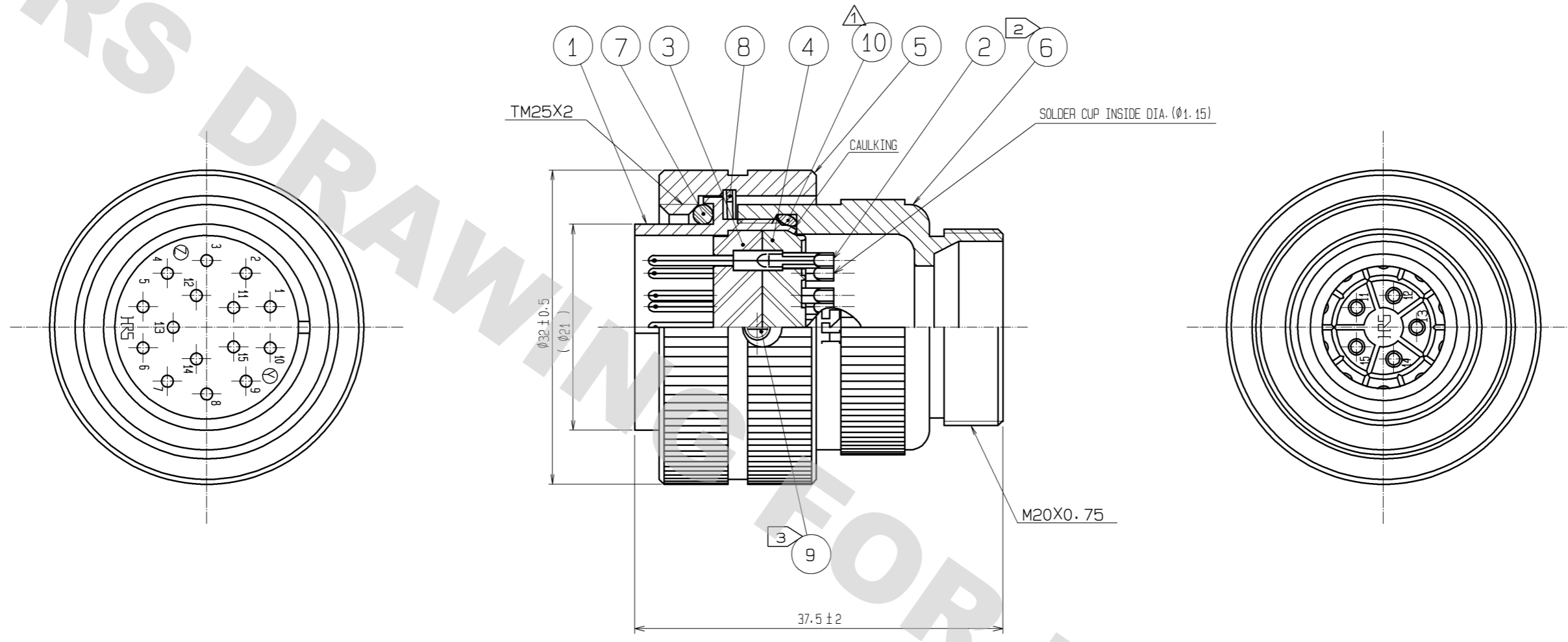


DRAWING FOR REFERENCE: This is subject to change without notice  
08/11/2012



- NOTES
- 1 ONE EXAMPLE OF THE ROTATION OF REF.NO.⑩ TO REF.NO.① IS SHOWN.
  - ② THE RECOMMENDED CLAMP TORQUE, REF.NO.①: 2 TO 3N·m.
  - ③ THE RECOMMENDED CLAMP TORQUE, REF.NO.②: 0.2 TO 0.3N·m.  
LOCTITE 242, HENKEL JAPAN OR EQUIVALENT IS RECOMMENDED TO PREVENT REF.NO.①, ② FROM LOOSENING.
  - 4 THIS PRODUCTS TO BE USED WITH CABLE CLAMP, RM21WTP-CP\*(71).  
\* DESIGNATE DIAMETER(mm) OF APPLICABLE CABLE.
  - 5 THE CABLE PULL AND TWISTING STRENGTH AND OTHER CHARACTERISTICS MAY DIFFER, DEPENDING ON THE CABLE STRUCTURE.  
PLEASE CONFIRM BEFORE THE USE.

NO.	MATERIAL	FINISH . REMARKS	NO.	MATERIAL	FINISH . REMARKS
5	BRASS	NICKEL PLATING	10	CHLOROPRENE RUBBER	(BLACK)
4	DIALLYL PHTHALATE	(BLACK) UL94V-0	9	BRASS	NICKEL PLATING
3	DIALLYL PHTHALATE	(BLACK) UL94V-0	8	PHOSPHOR BRONZE	NICKEL PLATING
2	COPPER ALLOY	SILVER PLATING 2µm min.	7	CHLOROPRENE RUBBER	(BLACK)
1	BRASS	NICKEL PLATING	6	BRASS	NICKEL PLATING

UNITS mm		SCALE 2 : 1	COUNT 2	DESCRIPTION OF REVISIONS DIS-C-001037	DESIGNED MM. ISHII	CHECKED YH. YAMADA	DATE 08.09.22
<b>HRS</b> HIROSE ELECTRIC CO., LTD.		APPROVED : MO. SATOH 08.05.12	DRAWING NO. EDC3-110104-71				
		CHECKED : HY. KOBAYASHI 08.05.12	PART NO. RM21WTP-15P(71)				
		DESIGNED : HN. TANAKA 08.05.12	CODE NO. CL109-1403-8-71				
		DRAWN : HN. TANAKA 08.05.12					

## X-ON Electronics

Largest Supplier of Electrical and Electronic Components

*Click to view similar products for [Standard Circular Connector](#) category:*

*Click to view products by [Hirose](#) manufacturer:*

Other Similar products are found below :

[5M2530B10P](#) [600259N006](#) [600273N007](#) [6134-336-13149](#) [6134-337-11149](#) [6134-337-2390](#) [6134-341-17149](#) [6280-4SG-516](#) [6280-7SG-3DC](#)  
[6290](#) [6291A](#) [66200A-10](#) [680-SMG](#) [681-PMG](#) [CXS3102A14S2P](#) [CXS3102A181S](#) [7251-6SG-300](#) [7271-6SG-300](#) [7282-3PG-300-CH3](#) [75-](#)  
[474014-05S](#) [75-474618-01S](#) [75-474618-04S](#) [799539-000](#) [MI8-SE](#) [805-005-07NF11-19PC](#) [805-005-07NF15-7PA](#) [8280-4PG-516](#) [8280-7PG-](#)  
[519](#) [8282-5PG-519](#) [836783-1](#) [MP-4102-25P-C](#) [862256-1](#) [864019-2](#) [866857-1](#) [867865-1](#) [PT01SP-14-18P](#) [PT08P-14-5S](#) [PTSF06SE-14-12S](#)  
[120-1833-000](#) [QCM019PC2DC012B](#) [1-2069279-1](#) [121583-0217](#) [121667-0020](#) [129591AU](#) [1000B BULK](#) [RD10A16-19-P6CS051/1](#)  
[RD10A20-31-P8CS051/1](#) [RD16A14-12-S6CS051/2](#) [1301240290](#) [1301240347](#) [1301860202](#)