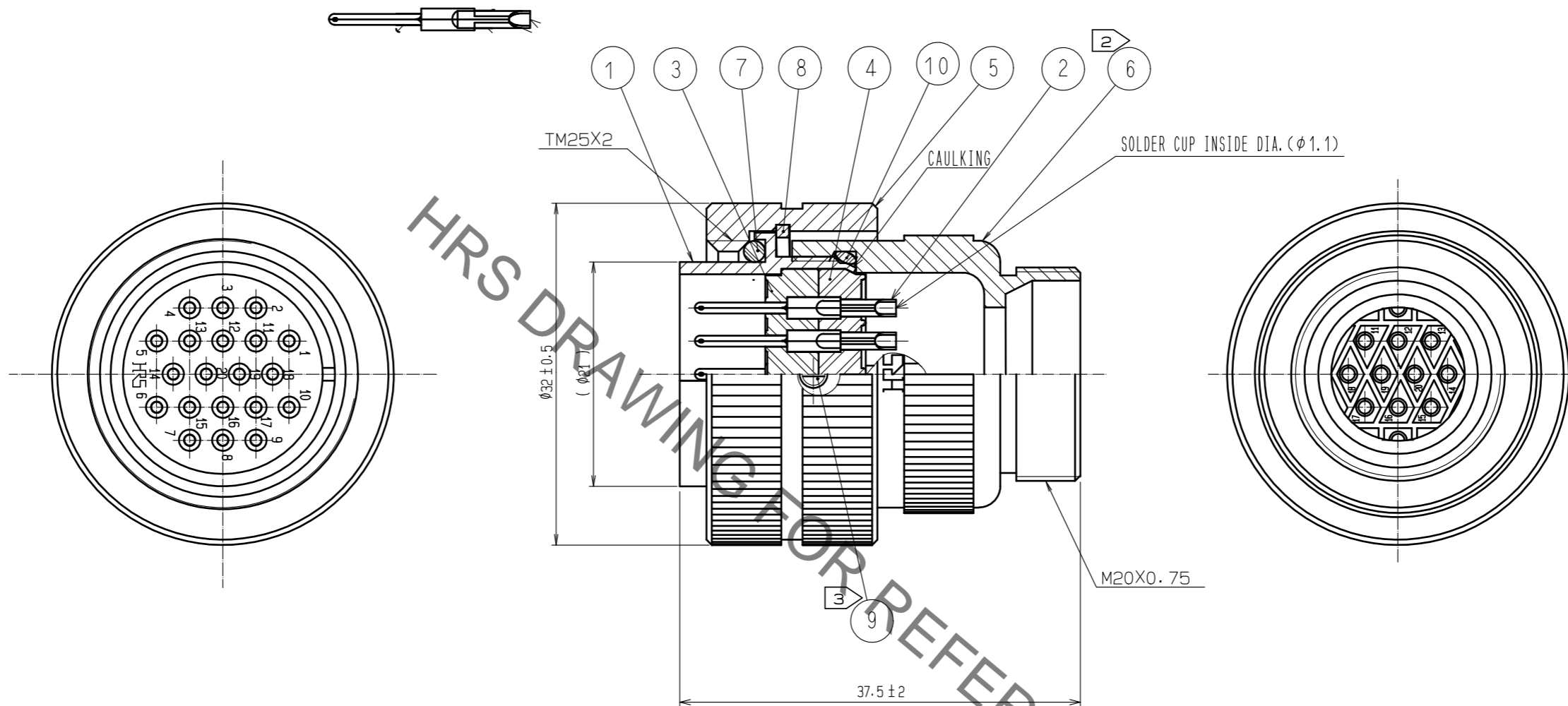


Jun.1.2019 Copyright 2019 HIROSE ELECTRIC CO., LTD. All Rights Reserved.
In case of consideration for using Automotive equipment / device which demand high reliability, kindly contact our sales window correspondents.



- NOTES
- 1 ONE EXAMPLE OF THE ROTATION OF REF. ⑥ TO REF. NO. ① IS SHOWN.
 - 2 THE RECOMMENDED CLAMP TORQUE, REF. NO. ② : 2 TO 3N · m.
 - 3 THE RECOMMENDED CLAMP TORQUE, REF. NO. ③ : 0.2 TO 0.3N · m.
LOCTITE 243, HENCKEL JAPAN OR EQUIVALENT IS RECOMMENDED TO PREVENT REF. NO. ⑨ FROM LOOSENING.
 - 4 THIS PRODUCTS TO BE USED WITH CABLE CLAMP, RM21WTP-CP(+)(71)
※ DESIGNATE DIAMATER(mm) OF APPLICABLE CABLE.
 - 5 THE CABLE PULL AND TWISTING STRENGTH AND OTHER CTERISTICS MAY DIFFER, DEPENDING ON THE CABLE STRUCTURE.
PLEASE CONFIRM BEFORE THE USE.

NO.	MATERIAL	FINISH . REMARKS	NO.	MATERIAL	FINISH . REMARKS
5	BRASS	NICKEL PLATING	10	CHLOROPRENE RUBBER	(BLACK)
4	DIALLYL PHTHALATE	(BLACK) UL94V-0	9	BRASS	NICKEL PLATING
3	DIALLYL PHTHALATE	(BLACK) UL94V-0	8	PHOSPHOR BRONZE	NICKEL PLATING
2	COPPER ALLOY	SILVER PLATING 2μm min. △	7	CHLOROPRENE RUBBER	(BLACK)
1	BRASS	NICKEL PLATING	6	BRASS	NICKEL PLATING

UNITS	SCALE	COUNT	DESCRIPTION OF REVISIONS	DESIGNED	CHECKED	DATE
mm	2 : 1	1	DIS-C-00002214	HY. KISHI	HY. KOBAYASHI	18. 04. 17
APPROVED : HY. KOBAYASHI			18. 02. 22	DRAWING NO. EDC-110105-31-00		
CHECKED : HY. KOBAYASHI			18. 02. 22	PART NO. RM21WTP-20P(31)		
DESIGNED : HY. KISHI			18. 02. 22	CODE NO. CL109-1404-0-31		
DRAWN : MK. INOUE			18. 02. 08	1/1		

X-ON Electronics

Largest Supplier of Electrical and Electronic Components

Click to view similar products for [Standard Circular Connector](#) category:

Click to view products by [Hirose](#) manufacturer:

Other Similar products are found below :

[5M2530B10P](#) [600259N006](#) [600273N007](#) [6134-336-13149](#) [6134-337-11149](#) [6134-337-2390](#) [6134-341-17149](#) [6280-4SG-516](#) [6280-7SG-3DC](#)
[6290](#) [6291A](#) [66200A-10](#) [680-SMG](#) [681-PMG](#) [CXS3102A14S2P](#) [CXS3102A181S](#) [7251-6SG-300](#) [7271-6SG-300](#) [7282-3PG-300-CH3](#) [75-](#)
[474014-05S](#) [75-474618-01S](#) [75-474618-04P](#) [75-474618-04S](#) [799539-000](#) [MI8-SE](#) [805-005-07NF11-19PC](#) [805-005-07NF15-7PA](#) [8280-4PG-](#)
[516](#) [8280-7PG-519](#) [8282-5PG-519](#) [836783-1](#) [MP-4102-25P-C](#) [862256-1](#) [864019-2](#) [866857-1](#) [867865-1](#) [PT01SP-14-18P](#) [PT08P-14-5S](#)
[PTSF06SE-14-12S](#) [120-1833-000](#) [QCM019PC2DC012B](#) [1-2069279-1](#) [121583-0217](#) [121667-0020](#) [129591AU](#) [1000B BULK](#) [RD10A16-19-](#)
[P6CS051/1](#) [RD10A20-31-P8CS051/1](#) [RD16A14-12-S6CS051/2](#) [1301240290](#) [1301240347](#)