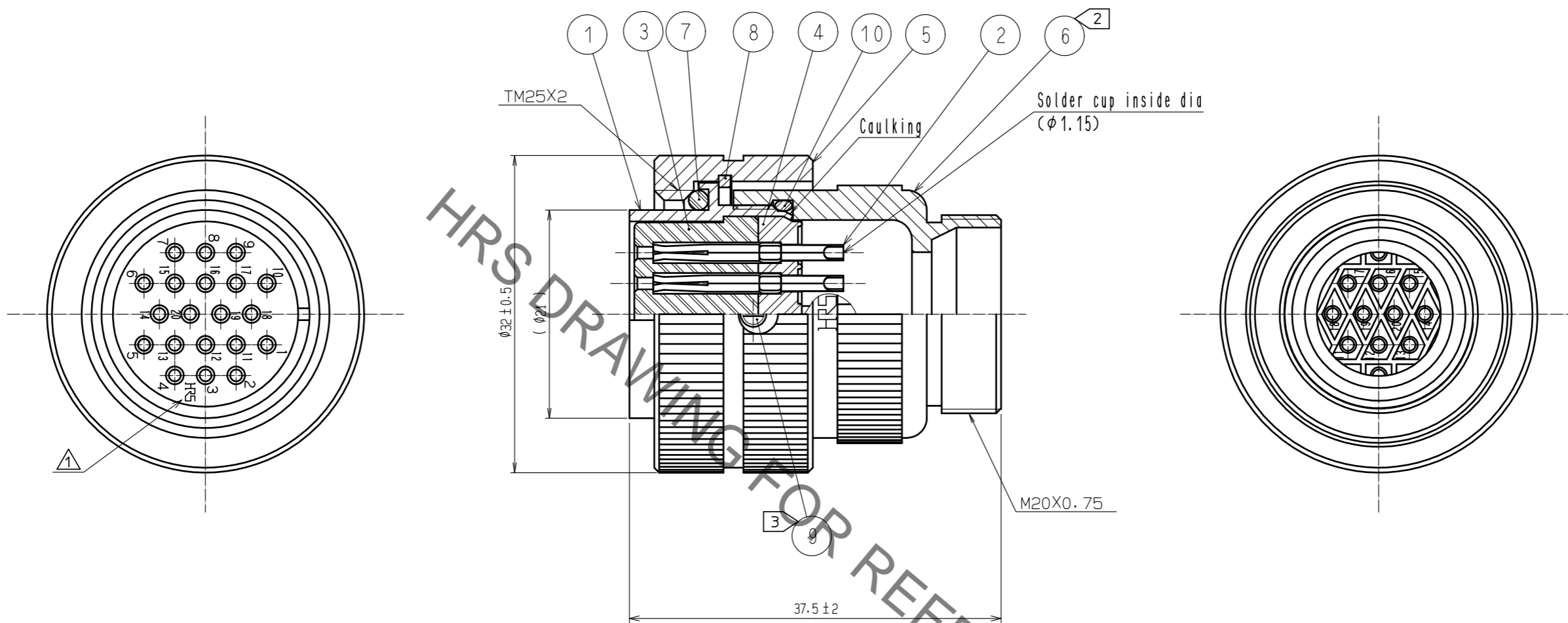


Sep.1.2021 Copyright 2021 HIROSE ELECTRIC CO., LTD. All Rights Reserved.
In case of consideration for using Automotive equipment / device which demand high reliability, kindly contact our sales window correspondents.



- NOTES
- 1 ONE EXAMPLE OF THE ROTATION OF REF. ⑥ TO REF. NO. ① IS SHOWN.
 - 2 THE RECOMMENDED TIGHTENING TORQUE OF REF. NO. ② SHALL BE 2 TO 3N · m.
 - 3 THE RECOMMENDED TIGHTENING TORQUE OF REF. NO. ③ SHALL BE 0.2 TO 0.3N · m.
 - 4 THIS PRODUCTS TO BE USED WITH CABLE CLAMP, RM21WTP-CP(+)(71).
*DESIGNATE DIAMETER(mm) OF APPLICABLE CABLE.

NO.	MATERIAL	FINISH . REMARKS	NO.	MATERIAL	FINISH . REMARKS
5	BRASS	NICKEL PLATING	10	CHLOROPRENE RUBBER	(BLACK)
4	PPS	(BLACK) UL94V-0	9	BRASS	NICKEL PLATING
3	PPS	(BLACK) UL94V-0	8	PHOSPHOR BRONZE	NICKEL PLATING
2	COPPER ALLOY	SILVER PLATING 5μm min.	7	CHLOROPRENE RUBBER	(BLACK)
1	BRASS	NICKEL PLATING	6	BRASS	NICKEL PLATING

UNITS mm		SCALE 2 : 1	COUNT 1	DESCRIPTION OF REVISIONS DIS-C-00003596	DESIGNED TH. KAMEYA	CHECKED HY. KOBAYASHI	DATE 20191028
HRS HIROSE ELECTRIC CO., LTD.		APPROVED : HY. KOBAYASHI 20180222	DRAWING NO. EDC-110103-31-00				
		CHECKED : HY. KOBAYASHI 20180222	PART NO. RM21WTP-20S(31)				
		DESIGNED : HY. KISHI 20180222	CODE NO. CL109-1402-5-31				
		DRAWN : MK. INOUE 20180208					

X-ON Electronics

Largest Supplier of Electrical and Electronic Components

Click to view similar products for [Standard Circular Connector](#) category:

Click to view products by [Hirose](#) manufacturer:

Other Similar products are found below :

[5M2530B10P](#) [600259N006](#) [600273N007](#) [6134-336-13149](#) [6134-337-11149](#) [6134-337-2390](#) [6134-341-17149](#) [6280-4SG-516](#) [6280-7SG-3DC](#)
[6290](#) [6291A](#) [66200A-10](#) [680-SMG](#) [681-PMG](#) [CXS3102A14S2P](#) [CXS3102A181S](#) [7251-6SG-300](#) [7271-6SG-300](#) [7282-3PG-300-CH3](#) [75-](#)
[474014-05S](#) [75-474618-01S](#) [75-474618-04S](#) [799539-000](#) [MI8-SE](#) [805-005-07NF11-19PC](#) [805-005-07NF15-7PA](#) [8280-4PG-516](#) [8280-7PG-](#)
[519](#) [8282-5PG-519](#) [836783-1](#) [MP-4102-25P-C](#) [862256-1](#) [864019-2](#) [866857-1](#) [867865-1](#) [PT01SP-14-18P](#) [PT08P-14-5S](#) [PTSF06SE-14-12S](#)
[120-1833-000](#) [QCM019PC2DC012B](#) [1-2069279-1](#) [121583-0217](#) [121667-0020](#) [129591AU](#) [1000B BULK](#) [RD10A16-19-P6CS051/1](#)
[RD10A20-31-P8CS051/1](#) [RD16A14-12-S6CS051/2](#) [1301240290](#) [1301240347](#) [1301860202](#)