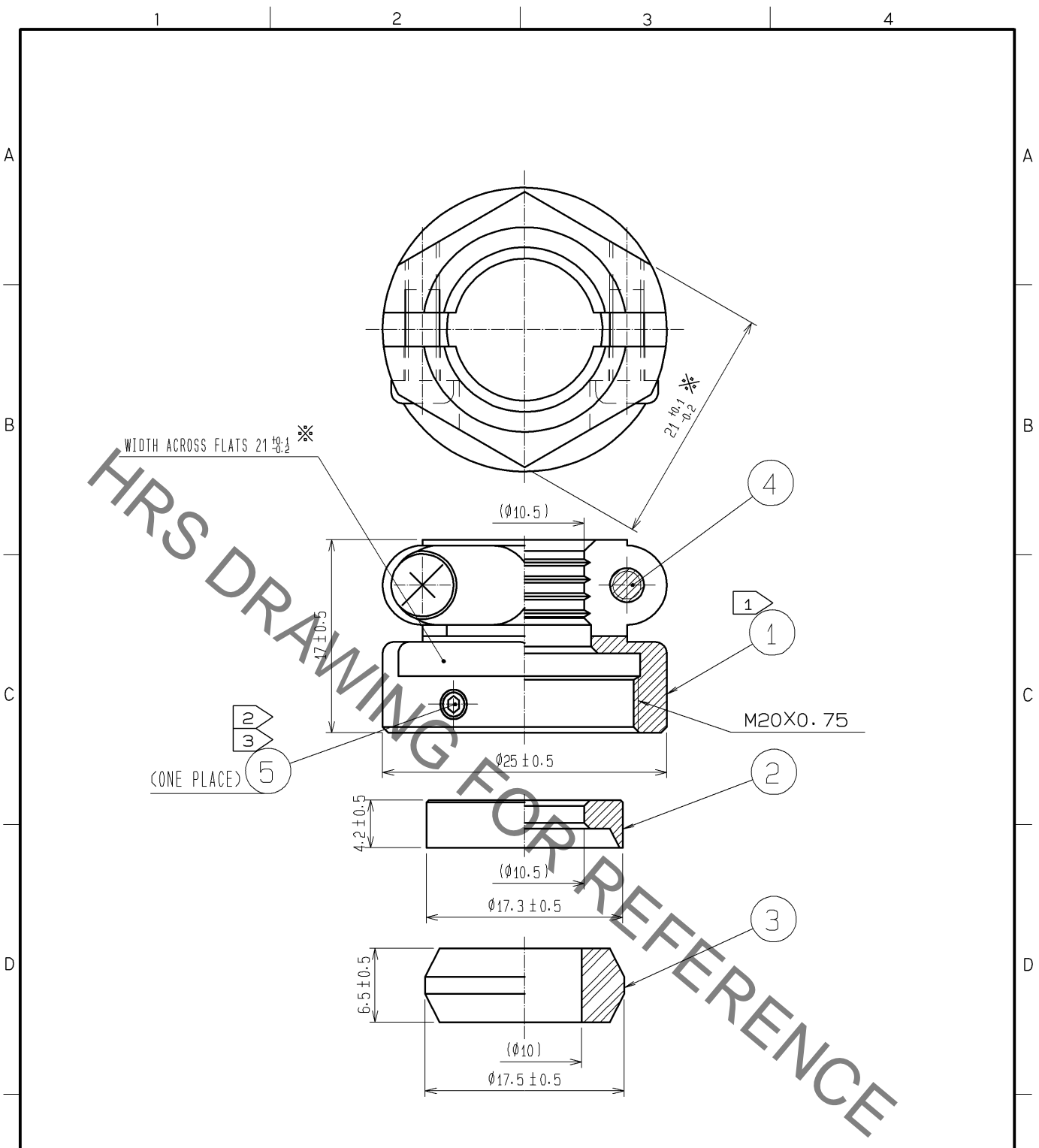


Jun.1.2021 Copyright 2021 HIROSE ELECTRIC CO., LTD. All Rights Reserved.
In case of consideration for using Automotive equipment / device which demand high reliability, kindly contact our sales window correspondents.



NOTES

- ① THE RECOMMENDED TIGHTENING TORQUE OF REF. NO. ① SHALL BE 2 TO 3N · m.
- ② ACROSS FLATS OF HEXAGON HOLE OF REF. NO. ⑤ TO BE 1.27.
THE RECOMMENDED TIGHTENING TORQUE OF REF. NO. ⑤ SHALL BE 0.2 TO 0.3N · m.
- ③ ONE EXAMPLE OF THE ROTATION OF REF. ⑤.
- 4 * INDICATES DUPLICATED DIMENSION.

3	ACRYLONITRILE BUTADIENE RUBBER	(GRAY)					
2	BRASS	NICKEL PLATING	5	STEEL	NICKEL PLATING JIS B 1177 HEXAGON SOCKET SET SCREW M2.6X0.45X2		
1	BRASS	NICKEL PLATING	4	BRASS	NICKEL PLATING JIS B 1111 PAN HEAD MACHINE SCREW M3X0.5X8		
NO.	MATERIAL	FINISH	REMARKS	NO.	MATERIAL	FINISH	REMARKS

UNITS mm		SCALE 2 : 1	COUNT 	DESCRIPTION OF REVISIONS	DESIGNED	CHECKED	DATE
-------------	--	----------------	-----------	--------------------------	----------	---------	------

HIROSE ELECTRIC CO., LTD.	APPROVED : EJ. KUNII	13. 07. 11	DRAWING NO.	EDC4-029657-71
	CHECKED : HY. KISHI	13. 07. 11	PART NO.	RM21WTP-CP10<71>
	DESIGNED : HK. NAMAI	13. 07. 08	CODE NO.	CL109-1478-7-71
	DRAWN : HK. NAMAI	13. 07. 08		

X-ON Electronics

Largest Supplier of Electrical and Electronic Components

Click to view similar products for [Standard Circular Connector](#) category:

Click to view products by [Hirose](#) manufacturer:

Other Similar products are found below :

[5M2530B10P](#) [600259N006](#) [600273N007](#) [6134-336-13149](#) [6134-337-11149](#) [6134-337-2390](#) [6134-341-17149](#) [6280-4SG-516](#) [6280-7SG-3DC](#)
[6290](#) [6291A](#) [66200A-10](#) [680-SMG](#) [681-PMG](#) [CXS3102A14S2P](#) [CXS3102A181S](#) [7251-6SG-300](#) [7271-6SG-300](#) [7282-3PG-300-CH3](#) [75-](#)
[474014-05S](#) [75-474618-01S](#) [75-474618-04S](#) [799539-000](#) [MI8-SE](#) [805-005-07NF11-19PC](#) [805-005-07NF15-7PA](#) [8280-4PG-516](#) [8280-7PG-](#)
[519](#) [8282-5PG-519](#) [836783-1](#) [MP-4102-25P-C](#) [862256-1](#) [864019-2](#) [866857-1](#) [867865-1](#) [PT01SP-14-18P](#) [PT08P-14-5S](#) [PTSF06SE-14-12S](#)
[120-1833-000](#) [QCM019PC2DC012B](#) [1-2069279-1](#) [121583-0217](#) [121667-0020](#) [129591AU](#) [1000B BULK](#) [RD10A16-19-P6CS051/1](#)
[RD10A20-31-P8CS051/1](#) [RD16A14-12-S6CS051/2](#) [1301240290](#) [1301240347](#) [1301860202](#)