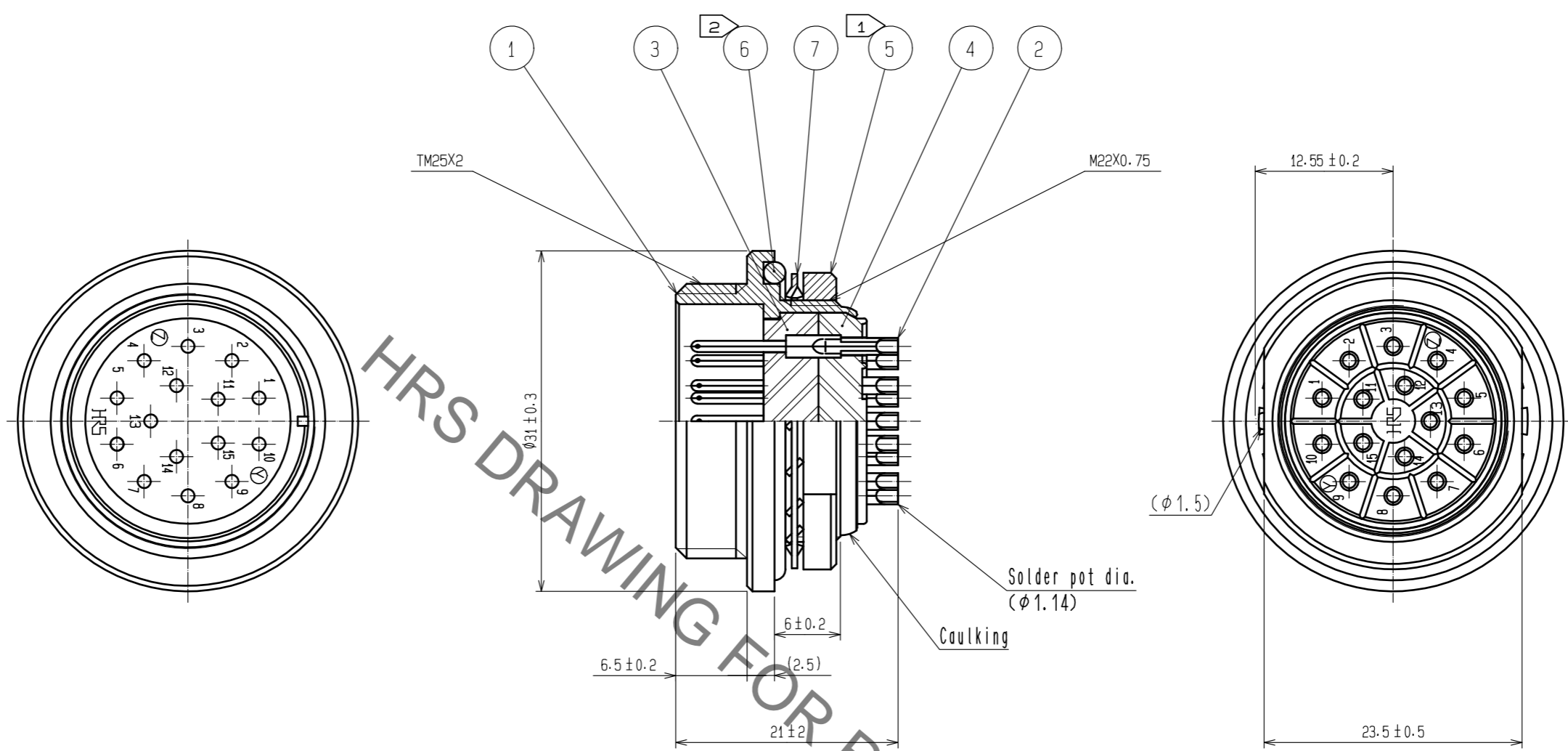
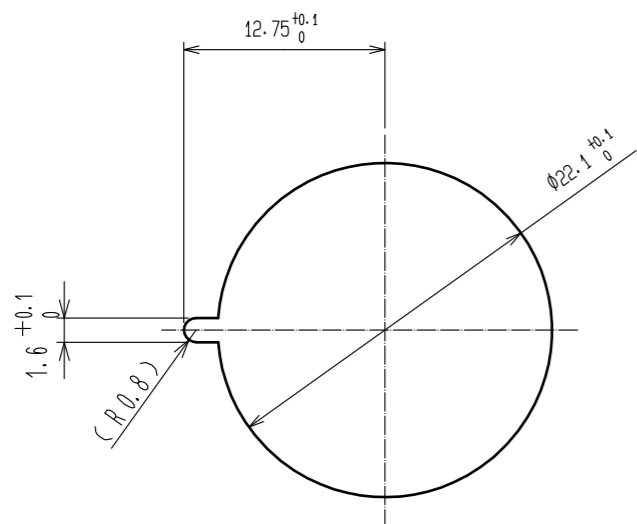


Jan.1.2021 Copyright 2021 HIROSE ELECTRIC CO., LTD. All Rights Reserved.
In case of consideration for using Automotive equipment / device which demand high reliability, kindly contact our sales window correspondents.



Panel cutout
(Panel thickness 2 max.)



- Notes
- ① The recommended clamp torque of ref. No. ⑤ : 4 N·m.
LOCTITE 263, HENKEL JAPAN or equivalent is recommended to prevent ref. No. ⑤ from loosening.
 - ② At the connector mount ref. No. ⑥ shall be attached without bite lump.

3	Diallyl phthulate (Black)	UL94V-0	7	Phosphor bronze	Nickel plating
2	Brass	Silver plating 4μm min.	6	Choloroprene rubber	(Black)
1	Brass	Nickel plating	5	Brass	Nickel plating
			4	Diallyl phthulate (Black)	UL94V-0
NO.	MATERIAL	FINISH . REMARKS	NO.	MATERIAL	FINISH . REMARKS

UNITS mm		SCALE 2 : 1	COUNT 	DESCRIPTION OF REVISIONS	DESIGNED	CHECKED	DATE
HIROSE ELECTRIC CO., LTD.				APPROVED : HY. KOBAYASHI 18.03.13 CHECKED : HY. KOBAYASHI 18.03.13 DESIGNED : HY. KISHI 18.03.13 DRAWN : HY. KISHI 18.03.13	DRAWING NO. EDC-003645-31-00 PART NO. RM21WTR-15P(31) CODE NO. CL109-1445-8-31		

X-ON Electronics

Largest Supplier of Electrical and Electronic Components

Click to view similar products for [Standard Circular Connector](#) category:

Click to view products by [Hirose](#) manufacturer:

Other Similar products are found below :

[5M2530B10P](#) [600259N006](#) [600273N007](#) [6134-336-13149](#) [6134-337-11149](#) [6134-337-2390](#) [6134-341-17149](#) [6280-4SG-516](#) [6280-7SG-3DC6290](#) [6291A](#) [66200A-10](#) [680-SMG](#) [681-PMG](#) [CXS3102A14S2P](#) [CXS3102A181S](#) [7251-6SG-300](#) [7271-6SG-300](#) [7282-3PG-300-CH3](#) [75-474014-05S](#) [75-474618-01S](#) [75-474618-04S](#) [799539-000](#) [MI8-SE](#) [805-005-07NF11-19PC](#) [805-005-07NF15-7PA](#) [8280-4PG-516](#) [8280-7PG-519](#) [8282-5PG-519](#) [836783-1](#) [MP-4102-25P-C](#) [862256-1](#) [864019-2](#) [866857-1](#) [867865-1](#) [PT01SP-14-18P](#) [PT08P-14-5S](#) [PTSF06SE-14-12S](#) [120-1833-000](#) [QCM019PC2DC012B](#) [1-2069279-1](#) [121583-0217](#) [121667-0020](#) [129591AU](#) [1000B BULK](#) [RD10A16-19-P6CS051/1](#) [RD10A20-31-P8CS051/1](#) [RD16A14-12-S6CS051/2](#) [1301240290](#) [1301240347](#) [1301860202](#)