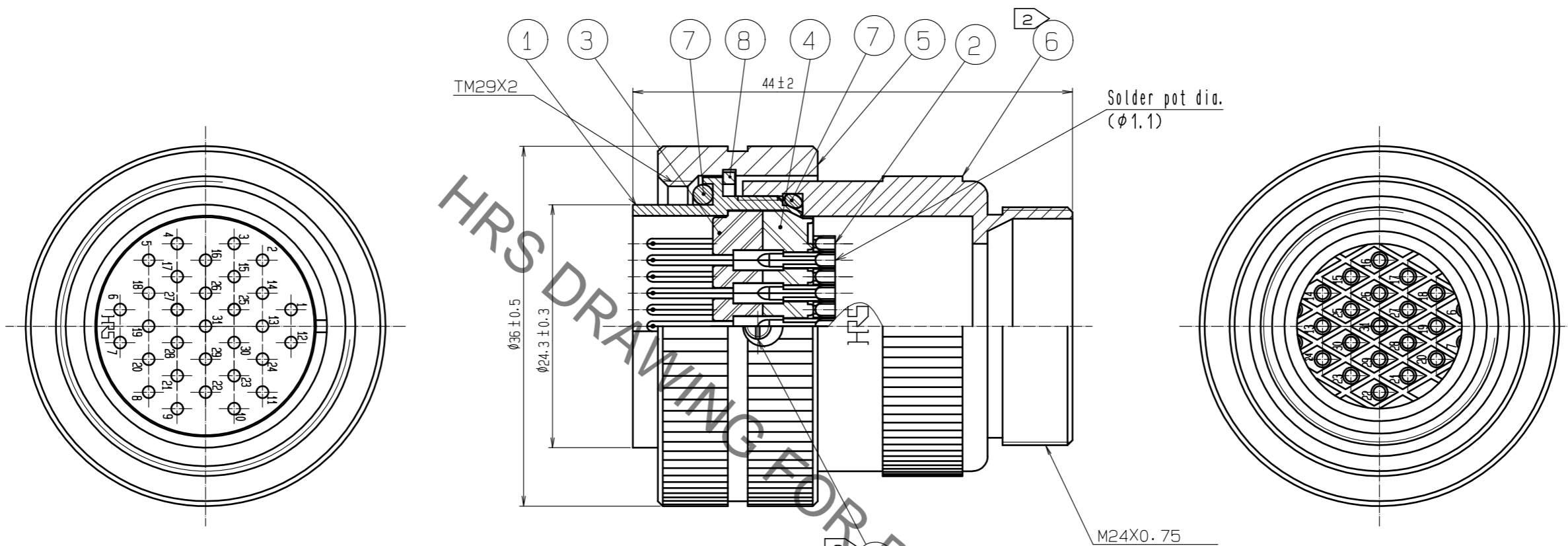


Jun.1.2021 Copyright 2021 HIROSE ELECTRIC CO., LTD. All Rights Reserved.
 In case of consideration for using Automotive equipment / device which demand high reliability, kindly contact our sales window correspondents.



- Notes
- ① Pre-assembled rotation examples of Ref. No. ① and No. ⑥ are shown.
 - ② The recommended tighten torque of Ref. No. ⑥ to be 2 to 3 N·m. Adhesive LOCTITE 243, or equivalent is recommended to prevent Ref. No. ⑥ from loosening.
 - ③ The recommended tighten torque of Ref. No. ⑨ to be 0.2 to 0.3 N·m.
 - ④ This product to be used with cableclamp, RM24WTP-CP(*) (71).
 * designate diameter of applicable cable.

NO.	MATERIAL	FINISH . REMARKS	NO.	MATERIAL	FINISH . REMARKS
4	PPS	(BLACK) UL94V-0	9	BRASS	NICKEL PLATING
3	PPS	(BLACK) UL94V-0	8	PHOSPHOR BRONZE	NICKEL PLATING
2	COPPER ALLOY	SILVER PLATING 2μm min.	7	CHLOROPRENE RUBBER	(BLACK)
1	BRASS	NICKEL PLATING	6	BRASS	NICKEL PLATING
			5	BRASS	NICKEL PLATING

UNITS	SCALE	COUNT	DESCRIPTION OF REVISIONS	DESIGNED	CHECKED	DATE
mm	2 : 1	△				
HIROSE ELECTRIC CO., LTD.			APPROVED : HY. KOBAYASHI 15.10.23 CHECKED : HY. KOBAYASHI 15.10.23 DESIGNED : KN. IKEHARA 15.10.23 DRAWN : KN. IKEHARA 15.10.23	DRAWING NO. EDC-110114-81-00 PART NO. RM24WTP-31P(81) CODE NO. CL109-1492-8-81		

X-ON Electronics

Largest Supplier of Electrical and Electronic Components

Click to view similar products for [Standard Circular Connector](#) category:

Click to view products by [Hirose](#) manufacturer:

Other Similar products are found below :

[5M2530B10P](#) [600259N006](#) [600273N007](#) [6134-336-13149](#) [6134-337-11149](#) [6134-337-2390](#) [6134-341-17149](#) [6280-4SG-516](#) [6280-7SG-3DC](#)
[6290](#) [6291A](#) [66200A-10](#) [680-SMG](#) [681-PMG](#) [CXS3102A14S2P](#) [CXS3102A181S](#) [7251-6SG-300](#) [7271-6SG-300](#) [7282-3PG-300-CH3](#) [75-](#)
[474014-05S](#) [75-474618-01S](#) [75-474618-04S](#) [799539-000](#) [MI8-SE](#) [805-005-07NF11-19PC](#) [805-005-07NF15-7PA](#) [8280-4PG-516](#) [8280-7PG-](#)
[519](#) [8282-5PG-519](#) [836783-1](#) [MP-4102-25P-C](#) [862256-1](#) [864019-2](#) [866857-1](#) [867865-1](#) [PT01SP-14-18P](#) [PT08P-14-5S](#) [PTSF06SE-14-12S](#)
[120-1833-000](#) [QCM019PC2DC012B](#) [1-2069279-1](#) [121583-0217](#) [121667-0020](#) [129591AU](#) [1000B BULK](#) [RD10A16-19-P6CS051/1](#)
[RD10A20-31-P8CS051/1](#) [RD16A14-12-S6CS051/2](#) [1301240290](#) [1301240347](#) [1301860202](#)