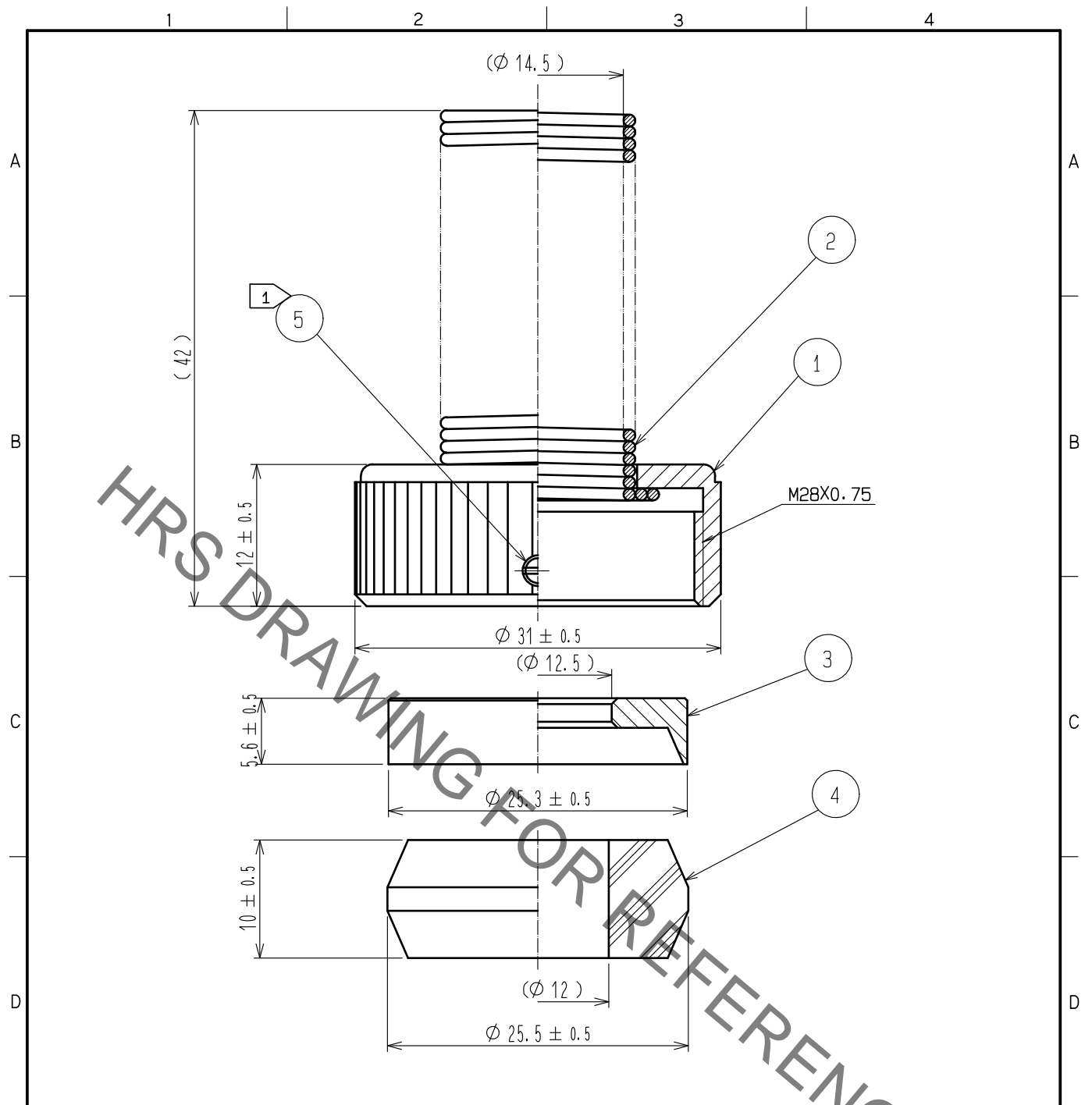


Sep.1.2021 Copyright 2021 HIROSE ELECTRIC CO., LTD. All Rights Reserved.
In case of consideration for using Automotive equipment / device which demand high reliability, kindly contact our sales window correspondents.



- Notes
- ① The recommended cramp torque of ref.No. ⑤ shall be 0.15 to 0.2N·m. LOCTITE 263, HENKEL JAPAN or equevalent is recommended to prevent ref. No. ⑤ from loosening.
 - 2 Applicable cable : $\phi 12 \pm 0.3$
 - 3 Assemble with applicable connector : RM31WTP-**(71)
** shows number of contact, and male or female of connector.
 - 4 The cable pull and twisting strength(, waterproof tightness) and other characteristics may differ, depending on the cable structure, please confirm before the use.

3	Brass	Nickel plating					
2	Phosphor bronze	Nickel plating	5	Brass	Nickel plating		
1	Brass	Nickel plating	4	Chloroprene rubber	(Black)		
NO.	MATERIAL	FINISH	REMARKS	NO.	MATERIAL	FINISH	REMARKS

UNITS mm		SCALE 2 : 1	COUNT 	DESCRIPTION OF REVISIONS	DESIGNED	CHECKED	DATE
HRS HIROSE ELECTRIC CO., LTD.		APPROVED :HY. KOBAYASHI	16.01.25	DRAWING NO.	EDC-110124-71-00		
		CHECKED :HY. KOBAYASHI	16.01.25	PART NO.	RM31WTP-CP(12)(71)		
		DESIGNED :HY. KISHI	16.01.25	CODE NO.	CL109-1576-6-71		
		DRAWN :HY. KISHI	16.01.25		1/1		

X-ON Electronics

Largest Supplier of Electrical and Electronic Components

Click to view similar products for [Standard Circular Connector](#) category:

Click to view products by [Hirose](#) manufacturer:

Other Similar products are found below :

[5M2530B10P](#) [600259N006](#) [600273N007](#) [6134-336-13149](#) [6134-337-11149](#) [6134-337-2390](#) [6134-341-17149](#) [6280-4SG-516](#) [6280-7SG-3DC](#)
[6290](#) [6291A](#) [66200A-10](#) [680-SMG](#) [681-PMG](#) [CXS3102A14S2P](#) [CXS3102A181S](#) [7251-6SG-300](#) [7271-6SG-300](#) [7282-3PG-300-CH3](#) [75-](#)
[474014-05S](#) [75-474618-01S](#) [75-474618-04S](#) [799539-000](#) [MI8-SE](#) [805-005-07NF11-19PC](#) [805-005-07NF15-7PA](#) [8280-4PG-516](#) [8280-7PG-](#)
[519](#) [8282-5PG-519](#) [836783-1](#) [MP-4102-25P-C](#) [862256-1](#) [864019-2](#) [866857-1](#) [867865-1](#) [PT01SP-14-18P](#) [PT08P-14-5S](#) [PTSF06SE-14-12S](#)
[120-1833-000](#) [QCM019PC2DC012B](#) [1-2069279-1](#) [121583-0217](#) [121667-0020](#) [129591AU](#) [1000B BULK](#) [RD10A16-19-P6CS051/1](#)
[RD10A20-31-P8CS051/1](#) [RD16A14-12-S6CS051/2](#) [1301240290](#) [1301240347](#) [1301860202](#)