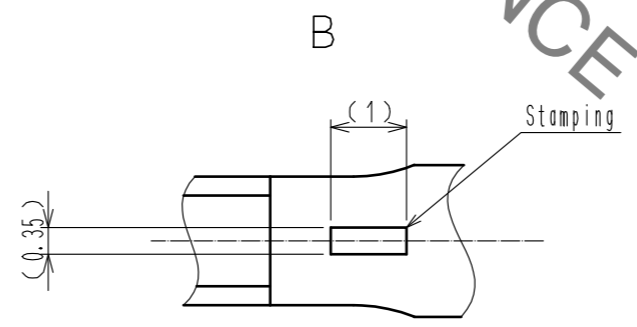
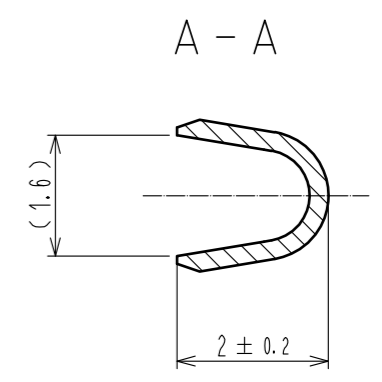
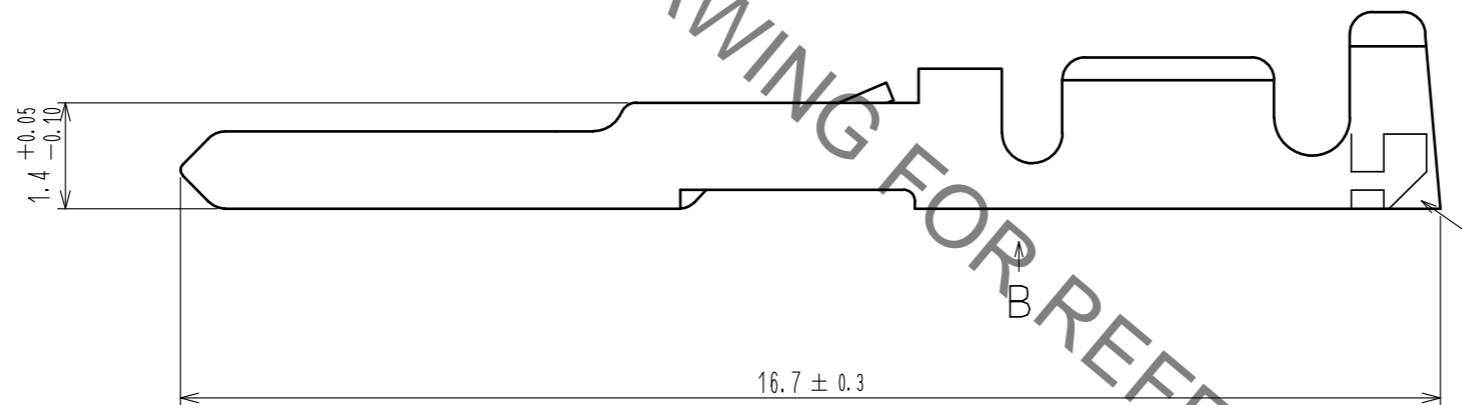
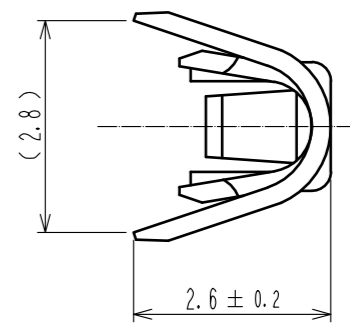
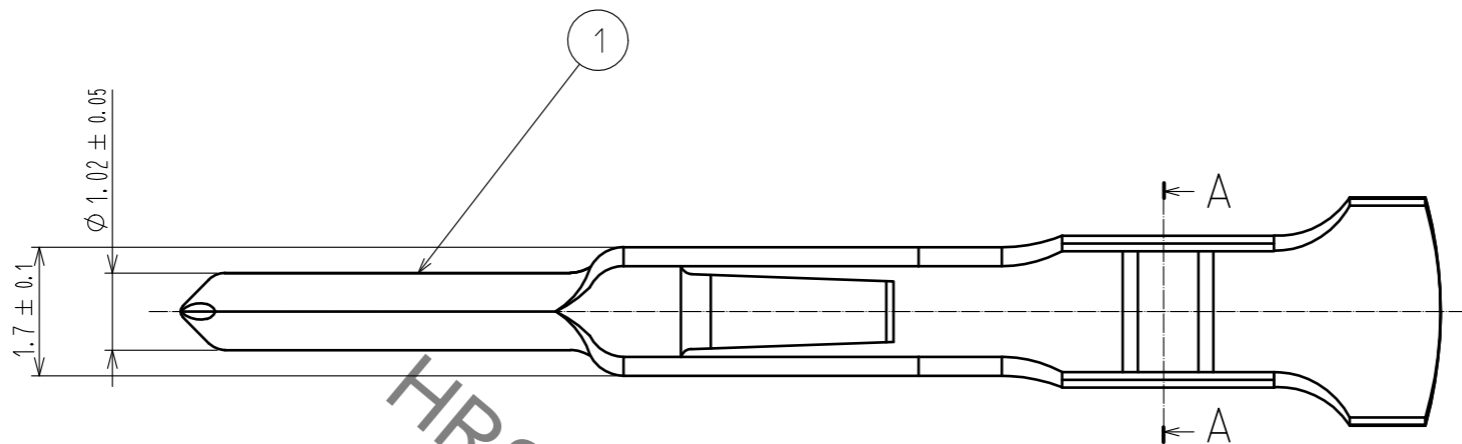
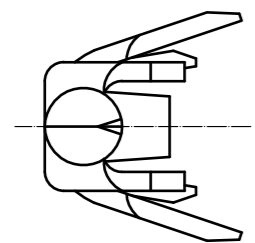


Sep.1.2021 Copyright 2021 HIROSE ELECTRIC CO., LTD. All Rights Reserved.  
In case of consideration for using Automotive equipment / device which demand high reliability, kindly contact our sales window correspondents.



- Notes
- ① Applicable hand crimping tool : HT802/RM-11(CLCL150-0401-6-00)
  - ② Applicable crimp contact extraction tool : RM-TP(CLCL150-008-7)
  - ③ Applicable wire size : AWG #24~#20.
  - ④ A package containig 100 pieces.

1	Phosphor bronze	Silver plating					
NO.	MATERIAL	FINISH . REMARKS	NO.	MATERIAL	FINISH . REMARKS	NO.	MATERIAL
UNITS	mm	SCALE	10:1	COUNT	1	DESCRIPTION OF REVISIONS	DIS-C-00000833
DESIGNED		HK. NAMAI		CHECKED		HY. KOBAYASHI	
DATE		16.02.29		DRAWING NO.		EDC3-007611-00	
APPROVED		MR. YOSHIDA		05.01.05		PART NO.	
CHECKED		MO. SATOH		05.01.05		RM-PC-112	
DESIGNED		YH. YAMADA		05.01.05		CODE NO.	
DRAWN		YH. YAMADA		05.01.05		CL109-0668-7-00	

## X-ON Electronics

Largest Supplier of Electrical and Electronic Components

*Click to view similar products for [Standard Circular Contacts](#) category:*

*Click to view products by [Hirose](#) manufacturer:*

Other Similar products are found below :

[RC16M23J](#) [133780-1](#) [RM20M13D28](#) [RM24M9D28](#) [MS3474W10-6P L/C](#) [164-901-CD](#) [EN3545007SCE](#) [BV002BSQ20049CZ](#)  
[BV002SSQ160404CZ](#) [1900ND05S1B00B](#) [192900-0061](#) [192900-0575](#) [192900-0718](#) [166566-1](#) [1900ND04S1X00D](#) [192900-0058](#) [ST-JL05-16S-C3-100](#) [ST-JL05-20S-C1-100](#) [ST-JL05-20S-C2-100](#) [T01-CRIMP-S03](#) [APK-SA16A07-002](#) [CONT-JL05-08S-C2-10](#) [RC16M-23T](#)  
[RFD26L-1D28](#) [BV002ASJ16049CW](#) [JN1-22-20S-R-PKG100](#) [031-50565](#) [ELFH08251](#) [SJS861301M](#) [ST-JL05-16S-C1-100](#) [ST-JL05-20P-C1-100](#) [82911466K](#) [ESLM03200](#) [192991-0087](#) [192900-0570](#) [ELFH07251](#) [44-104-10003-02](#) [T3P16FC3LZ](#) [ST-JL05-16S-C2-3500](#) [ZP-4016-10NF](#) [CONT-JL05-12P-C1-10](#) [RM20M12G8D28](#) [031-50676](#) [12115010110](#) [RJFTVC2MG](#) [CAP-DACMDPC2](#) [031-50675-002](#) [CAP-DD1FDPC2](#) [CAP-DACMDPC1](#) [031-50966-010](#)