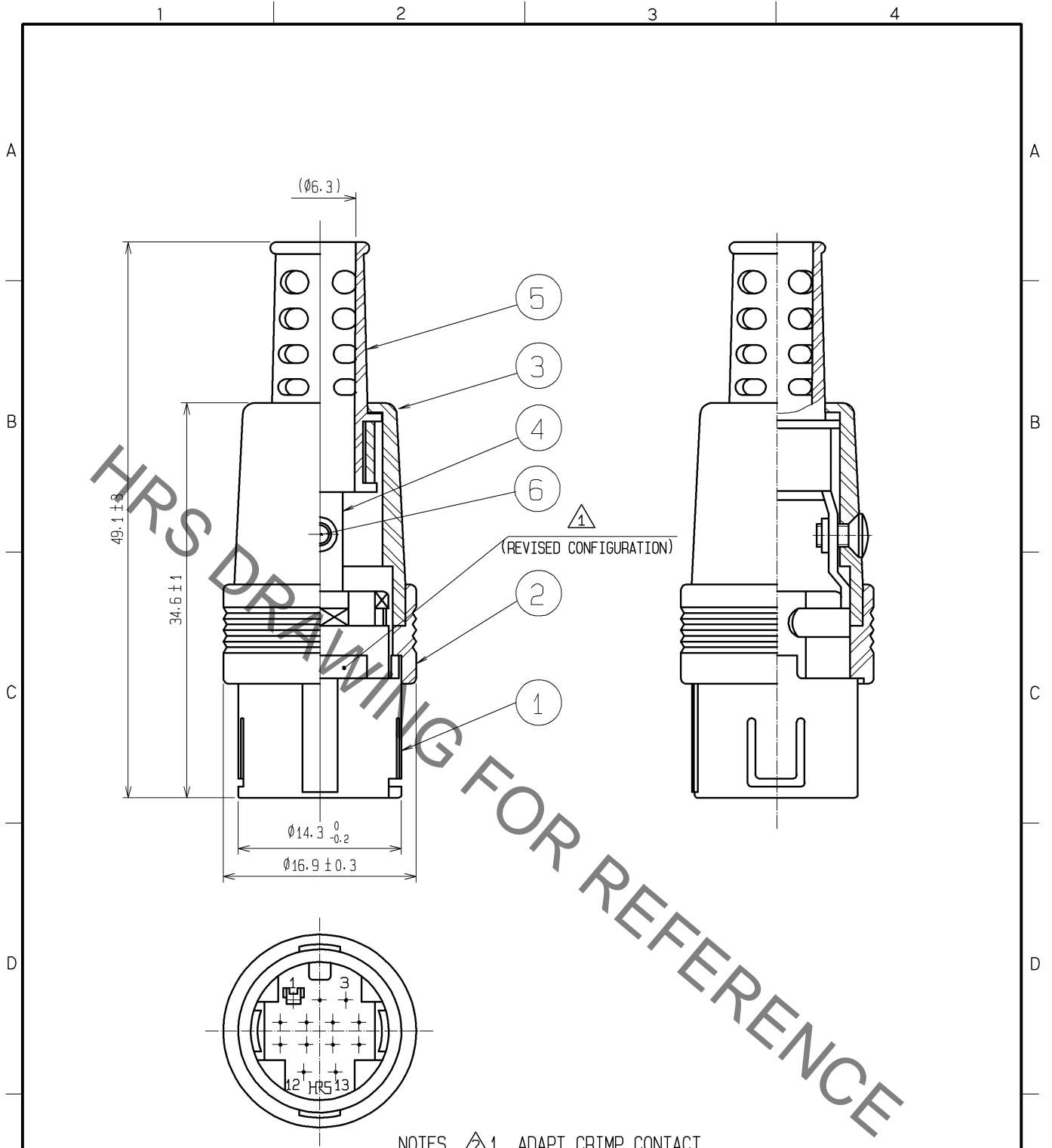


Sep.1.2021 Copyright 2021 HIROSE ELECTRIC CO., LTD. All Rights Reserved.
In case of consideration for using Automotive equipment / device which demand high reliability, kindly contact our sales window correspondents.



- NOTES \triangle 1 ADAPT CRIMP CONTACT
 RP13-PC-222(APPLICABLE WIRE : AWG#24 TO #28)
 2 EXTRACTION TOOL : RP13-PC-TP(CL150-0021-5)
 3 APPLICABLE CLAMPING TOOL : RP13A-TC-01(CL150-0070-0)
 4 REF.NO.① ~ ⑥ SHELL BE DELIVERED DISASSEMBLED.

| 3 | POLYCARBONATE | UL94V-0(BLACK) | 6 | BRASS | (BLACK)CHOMATE TREATMENT (TRIVALENT CHROMIUM) | JIS B 1111 M2X0.4X4 | |
|-----|---------------|----------------|---------|-------------------|--|------------------------|---------|
| 2 | POLYCARBONATE | UL94V-0(BLACK) | 5 | POLYVINYLCHLORIDE | (BLACK) | | |
| 1 | POLYCARBONATE | UL94V-0(BLACK) | 4 | BRASS | | | |
| NO. | MATERIAL | FINISH | REMARKS | NO. | MATERIAL | FINISH | REMARKS |

| | | | | | | | |
|---------------------------|--|----------------|------------------------|--|-----------------------------|----------------------|--------------------|
| UNITS mm | | SCALE 2 : 1 | COUNT \triangle 1 | DESCRIPTION OF REVISIONS DIS-C-001675 | DESIGNED MM. ISHII | CHECKED HY. KISHI | DATE 10. 04. 14 |
| HIROSE ELECTRIC CO., LTD. | | | | APPROVED : MO. SATOH 05. 11. 16 | DRAWING NO. EDC4-009601-71 | | |
| | | | | CHECKED : HT. ZENBA 05. 11. 16 | PART NO. RP13A-12J-13PC(71) | | |
| | | | | DESIGNED : EM. YUMINO 05. 11. 10 | CODE NO. CL113-0166-8-71 | | |
| | | | | DRAWN : EM. YUMINO 05. 11. 10 | \triangle 1/1 | | |

X-ON Electronics

Largest Supplier of Electrical and Electronic Components

Click to view similar products for [Circular Push Pull Connectors](#) category:

Click to view products by [Hirose](#) manufacturer:

Other Similar products are found below :

[6407-249V-11273P](#) [6408-201V-13273](#) [6408-202V-13343](#) [6408-202V-17343](#) [EZG.0B.309.CLN](#) [FFA.2S.310.ZLA](#) [FGA.1B.307.CYCD72Z](#)
[FGJ.1B.304.CLLD76](#) [FGJ.1B.306.CWLD72](#) [FGJ.2B.302.CYMD82Z](#) [FGJ.2B.310.CYMD72Z](#) [FGJ.3B.304.CYMD10Z](#)
[FGJ.3B.304.CYMD82Z](#) [FHJ.2B.310.CLLD72](#) [PCS.01.250.DLLE24](#) [PHG.0K.305.CYMC40Z](#) [PHG.1K.308.CLLK85](#) [PKG.M0.6BL.LZ](#)
[PLC.M1.0SL.LA](#) [GMA.10.290.DN](#) [GMA.3B.090.DA](#) [PRG.M0.6GL.LC52GZ](#) [PSA.1S.275.CTLC66](#) [ABF.1S.250.NTA](#) [133020F](#)
[1331ER193MZ](#) [1332M107MZ](#) [DTS26Z19-32JA-LC](#) [DTS26Z19-32SA](#) [DTS26Z19-32SA-LC](#) [DTS26Z23-55HA](#) [DTS26Z23-55HA-LC](#)
[DTS26Z23-55JA-LC](#) [EAJ.1B.306.CWA](#) [ECG.XB.312.CLL](#) [1589430-2](#) [EEA.0B.305.CLN](#) [EEA.0B.309.CLL](#) [ELF.00.250.NTL](#)
[ERA.01.250.DLL](#) [BRD.0B.200.PCSG](#) [BRR.2S.200.PZVG](#) [HR10A-P](#) [CAH.M34.SLL.C72GZ](#) [CAJ.M34.SLL.C72GZ](#) [300500](#)
[ESB.00.303.NLL](#) [EXG.0B.309.HLN](#) [FFB.1S.250.CLAC27](#) [FFG.1B.306.CLAZ](#)