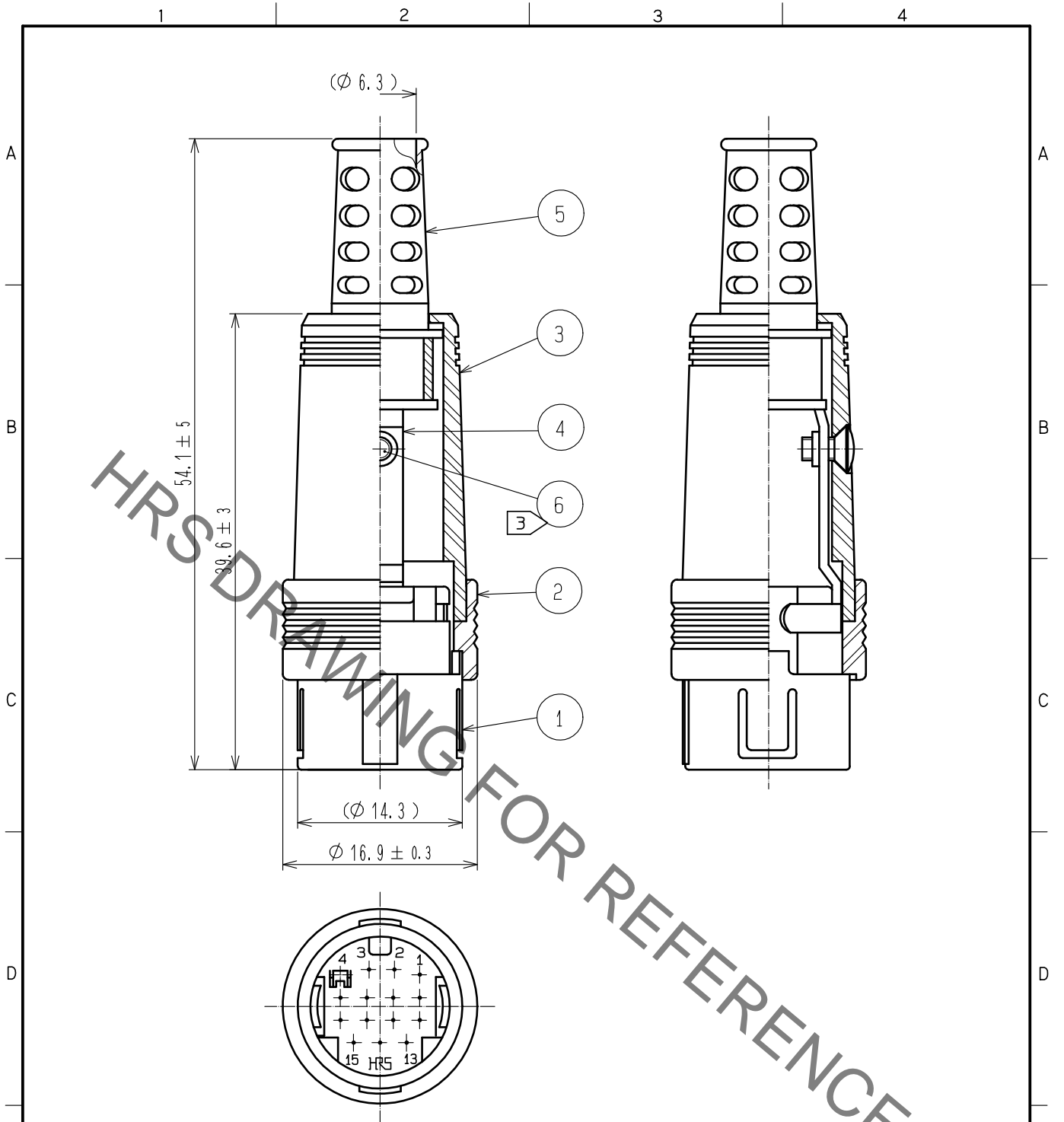


Sep.1.2021 Copyright 2021 HIROSE ELECTRIC CO., LTD. All Rights Reserved.
 In case of consideration for using Automotive equipment / device which demand high reliability, kindly contact our sales window correspondents.



- Notes
- 1 Applicable crimping contact : RP13-PC-222(CL113-0141-7)
 (Applicable wire :AWG #24 to #30)
 - 2 Applicable crimp contact crimping tool : RP13A-TC-01(CL150-0070-0)
 Applicable crimp contact extraction tool : RP13-PC-TP(CL150-0021-5)
 - 3 The recommended tightening torque of Ref.No. ③ shell be 0.2N·m.
 - 4 This product is delivered disassemble.
 - 5 The cable pull and twisting strength and other characteristics may differ.
 Depending on the cable structure, please confirm before the use.

3	Polycarbonate	(Black)	UL94V-0	6	Brass	Black chromate treatment(Trivalent chromium) JIS B1111 M2×0.4×4
2	Polycarbonate	(Black)	UL94V-0	5	Flexible polyvinylchloride	(Black)
1	Polycarbonate	(Black)	UL94V-0	4	Brass	
NO.	MATERIAL	FINISH . REMARKS		NO.	MATERIAL	FINISH . REMARKS

UNITS mm		SCALE 2 : 1	COUNT 1	DESCRIPTION OF REVISIONS DIS-C-00001211	DESIGNED MM. ISHII	CHECKED EJ. KUNII	DATE 16.10.17
APPROVED :EJ. KUNII 16.03.23 CHECKED :EJ. KUNII 16.03.23 DESIGNED :MM. ISHII 16.03.23 DRAWN :MM. ISHII 16.03.23				DRAWING NO. EDC-026920-71-00 PART NO. RP13A-12JD-15PC(71) CODE NO. CL113-1005-4-71			



1/1

X-ON Electronics

Largest Supplier of Electrical and Electronic Components

Click to view similar products for [Circular Push Pull Connectors](#) category:

Click to view products by [Hirose](#) manufacturer:

Other Similar products are found below :

[6407-249V-11273P](#) [6408-201V-13273](#) [6408-202V-13343](#) [6408-202V-17343](#) [EZG.0B.309.CLN](#) [FFA.2S.310.ZLA](#) [FGA.1B.307.CYCD72Z](#)
[FGJ.1B.304.CLLD76](#) [FGJ.1B.306.CWLD72](#) [FGJ.3B.304.CYMD10Z](#) [FGJ.3B.304.CYMD82Z](#) [FHG.1B.303.CYCZ](#) [PCS.01.250.DLLE24](#)
[PHG.0K.305.CYMC40Z](#) [PHG.1K.308.CLLK85](#) [PKG.M0.6BL.LZ](#) [PLC.M1.0SL.LA](#) [GMA.10.290.DN](#) [GMA.3B.090.DA](#)
[PRG.M0.6GL.LC52GZ](#) [PSA.1S.275.CTLC66](#) [ABF.1S.250.NTA](#) [133020F](#) [1331ER193MZ](#) [1332M107MZ](#) [DTS26Z19-32JA-LC](#) [DTS26Z19-](#)
[32SA](#) [DTS26Z19-32SA-LC](#) [DTS26Z23-55HA](#) [DTS26Z23-55HA-LC](#) [EAJ.1B.306.CWA](#) [ECG.XB.312.CLL](#) [1589430-2](#) [EEA.0B.305.CLN](#)
[EEA.0B.309.CLL](#) [ELF.00.250.NTL](#) [ERA.01.250.DLL](#) [BRR.2S.200.PZVG](#) [HR10A-P](#) [CAH.M34.SLL.C72GZ](#) [CAJ.M34.SLL.C72GZ](#) [300500](#)
[ESB.00.303.NLL](#) [EXG.0B.309.HLN](#) [FFB.1S.250.CLAC27](#) [FGA.2B.306.CYCD92](#) [FGA.2B.306.CYCD92Z](#) [FGA.XB.312.CLAD72](#)
[FGJ.1B.302.CYMD62](#) [FGJ.3B.308.CLLD72Z](#)