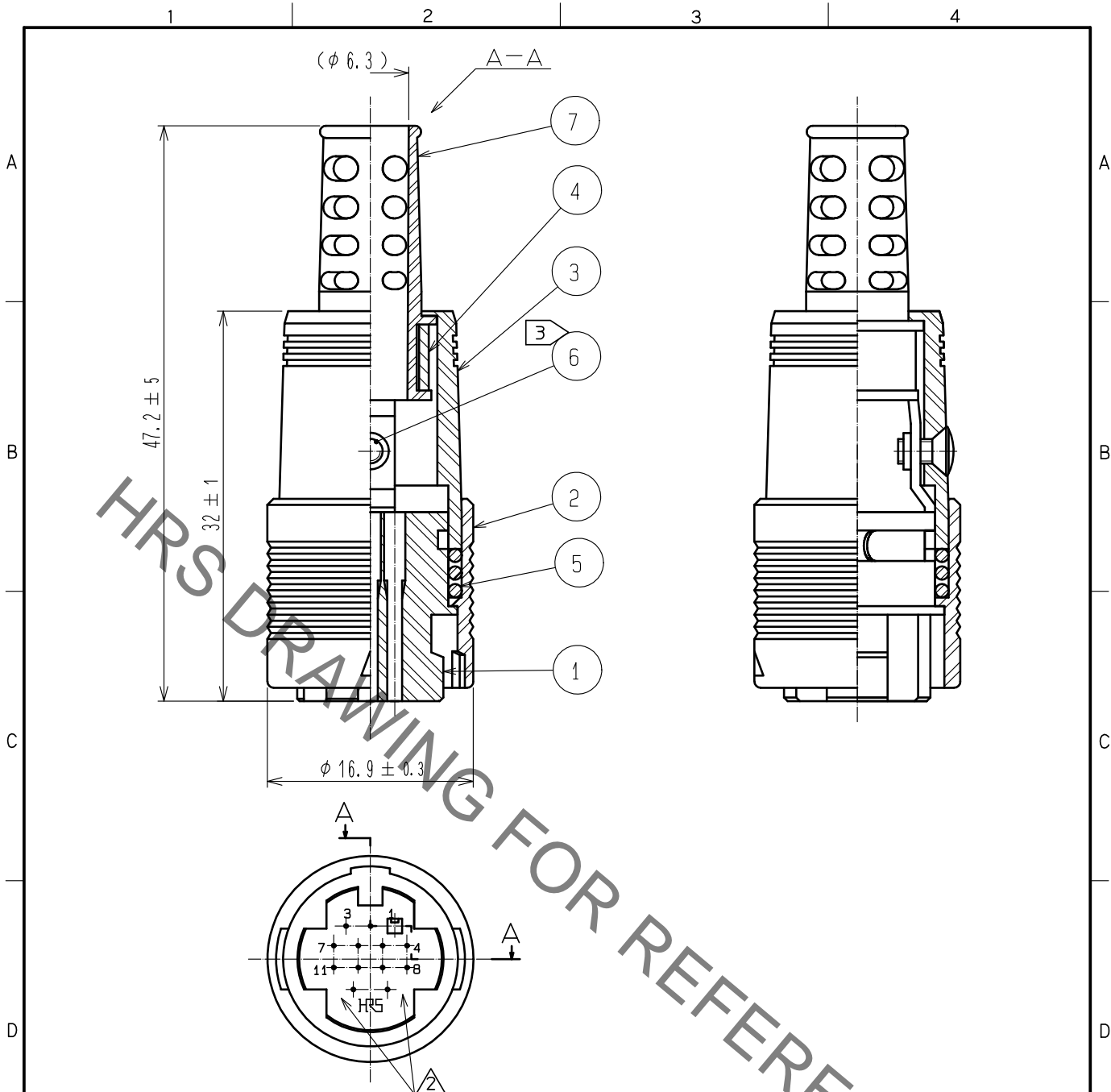


Sep.1.2021 Copyright 2021 HIROSE ELECTRIC CO., LTD. All Rights Reserved.
 In case of consideration for using Automotive equipment / device which demand high reliability, kindly contact our sales window correspondents.



- Notes
- ① Applicable crimping contact:
 Contact No.1 to 11 : RP13A-SC-222(Applicable wire : AWG #24 to 28)
 Contact No.12 to 13 : RP13A-SC-212(Applicable wire : AWG #18 to 22)
 - ② Applicable crimp contact crimping tool : RP13A-TC-01(CCL150-0070-0)
 Applicable crimp contact extraction tool : RP13A-SC-TP(CCL150-0022-8)
 - ③ The recommended tightening torque of Ref.No. ⑥ shell be 0.2N·m.
 - ④ This product is delivered disassemble.
 - ⑤ The cable pull and twisting strength and other characteristics may differ.
 Depending on the cable structure. please confirm before the use.

4	BRASS			7	PVC	(BLACK)	
3	POLYCARBONATE	(BLACK) UL94V-0		6	BRASS	ZINC PLATING BLACK CHROMETE TREATMENT (TRIVALENT CHROMIUM) JIS B 1111 M2X0.4X4	
2	POLYCARBONATE	(BLACK) UL94V-0		5	STEEL	NICKEL PLATING	
1	POLYCARBONATE	(BLACK) UL94V-0					
NO.	MATERIAL	FINISH	REMARKS	NO.	MATERIAL	FINISH	REMARKS

UNITS mm		SCALE 2 : 1	COUNT ② 1	DESCRIPTION OF REVISIONS DIS-C-00003629	DESIGNED TY. SUZUKI	CHECKED HY. KOBAYASHI	DATE 20200302
HRS HIROSE ELECTRIC CO., LTD. APPROVED : MR. YOSHIDA 20050105 CHECKED : MO. SATOH 20050105 DESIGNED : YH. YAMADA 20050105 DRAWN : YH. YAMADA 20050105				DRAWING NO. EDC4-009810-71 PART NO. RP13A-12PA-13SC(71) CODE NO. CL113-0182-4-71			

X-ON Electronics

Largest Supplier of Electrical and Electronic Components

Click to view similar products for [Circular Push Pull Connectors](#) category:

Click to view products by [Hirose](#) manufacturer:

Other Similar products are found below :

[6407-249V-11273P](#) [6408-201V-13273](#) [6408-202V-13343](#) [6408-202V-17343](#) [EZG.0B.309.CLN](#) [FFA.2S.310.ZLA](#) [FGA.1B.307.CYCD72Z](#)
[FGJ.1B.304.CLLD76](#) [FGJ.1B.306.CWLD72](#) [FGJ.3B.304.CYMD10Z](#) [FGJ.3B.304.CYMD82Z](#) [PCS.01.250.DLLE24](#) [PHG.0K.305.CYMC40Z](#)
[PHG.1K.308.CLLK85](#) [PKG.M0.6BL.LZ](#) [PLC.M1.0SL.LA](#) [GMA.10.290.DN](#) [GMA.3B.090.DA](#) [PRG.M0.6GL.LC52GZ](#) [PSA.1S.275.CTLC66](#)
[ABF.1S.250.NTA](#) [133020F](#) [1331ER193MZ](#) [1332M107MZ](#) [DTS26Z19-32JA-LC](#) [DTS26Z19-32SA](#) [DTS26Z19-32SA-LC](#) [DTS26Z23-55HA](#)
[DTS26Z23-55HA-LC](#) [DTS26Z23-55JA-LC](#) [EAJ.1B.306.CWA](#) [ECG.XB.312.CLL](#) [1589430-2](#) [EEA.0B.305.CLN](#) [EEA.0B.309.CLL](#)
[ELF.00.250.NTL](#) [ERA.01.250.DLL](#) [BRD.0B.200.PCSG](#) [BRR.2S.200.PZVG](#) [HR10A-P](#) [CAH.M34.SLL.C72GZ](#) [CAJ.M34.SLL.C72GZ](#)
[300500](#) [ESB.00.303.NLL](#) [EXG.0B.309.HLN](#) [FFB.1S.250.CLAC27](#) [FGA.2B.306.CYCD92](#) [FGA.2B.306.CYCD92Z](#) [FGA.XB.312.CLAD72](#)
[FGJ.1B.302.CYMD62](#)