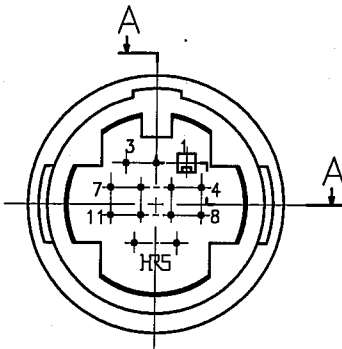
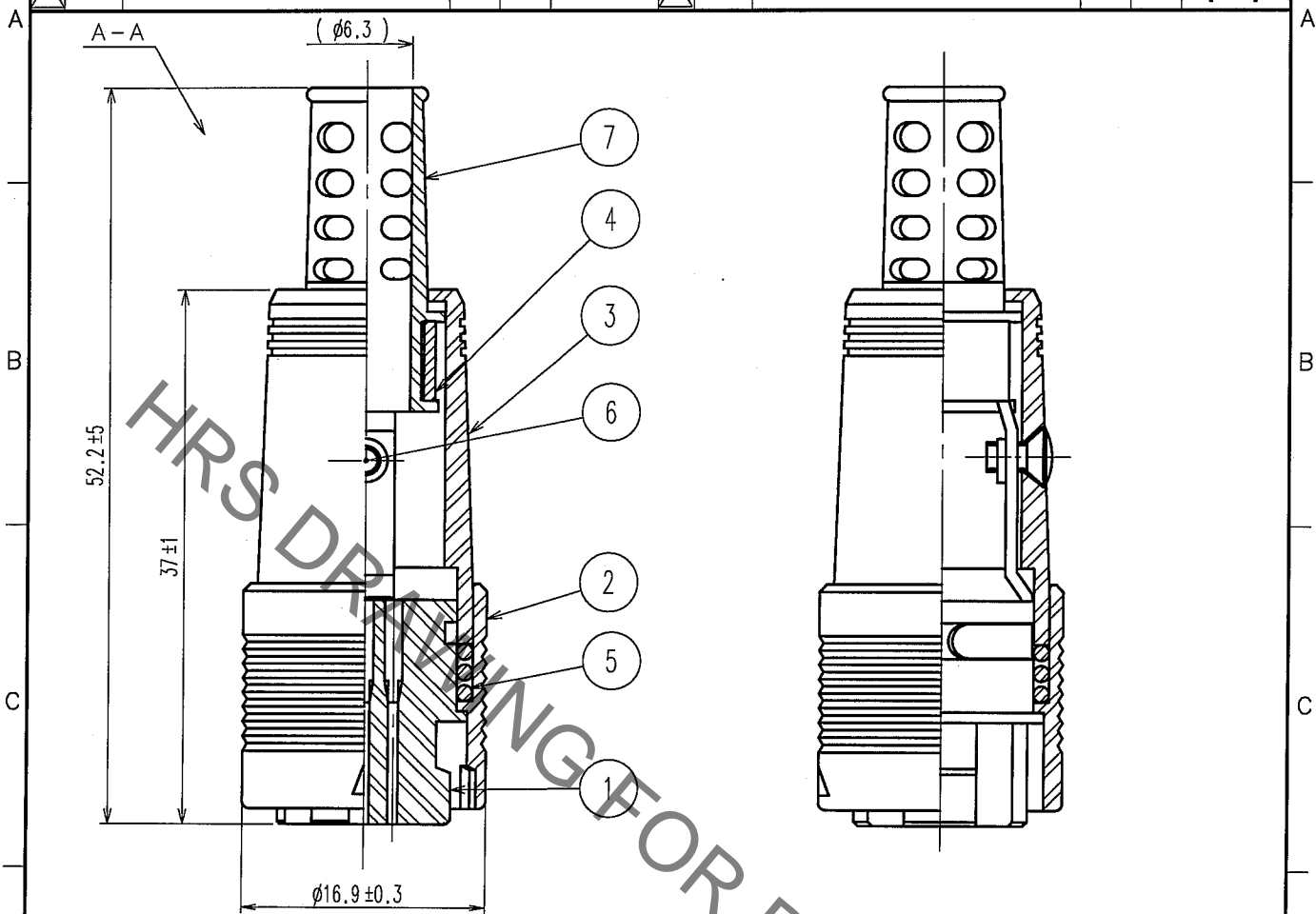


Sep.1.2021 Copyright 2021 HIROSE ELECTRIC CO., LTD. All Rights Reserved.
 In case of consideration for using Automotive equipment / device which demand high reliability, kindly contact our sales window correspondents.

1					2					3					4				
COUNT	DESCRIPTION OF REVISIONS				BY	CHKD	DATE	COUNT	DESCRIPTION OF REVISIONS				BY	CHKD	DATE				
△								△											
△								△											
△								△											



NOTE 1 ADAPT CRIMP CONTACT
 CONTACT No.1 TO 11
 RP13A-SC-222 (APPLICABLE WIRE : AWG#24 TO #28)
 CONTACT No.12,13
 RP13A-SC-212 (APPLICABLE WIRE : AWG#18 TO #22)
 2 EXTRACTION TOOL : RP13A-SC-TP
 3 APPLICABLE CLAMPING TOOL: RP13A-TC-01
 4 THIS PRODUCT IS DELIVERED DISASSEMBLE.

4	BRASS		7	FLEXIBLE POLYVINYL CHLORIDE (BLACK)	
3	POLYCARBONATE (BLACK) UL94V-0		6	BRASS (BLACK) CHROMATE TREATMENT (TRIVALENT CHROMIUM) JIS B 1111 M2x0.4x4	
2	POLYCARBONATE (BLACK) UL94V-0		5	STEEL NICKEL PLATING	
1	POLYCARBONATE (BLACK) UL94V-0				
NO.	MATERIAL	FINISH, REMARKS	NO.	MATERIAL	FINISH, REMARKS

CODE NO. (OLD) CL	DRAWN M. Ishihara 05.09.26	DESIGNED E. Yumino 05.09.26	CHECKED H. Zemba 05.09.27	APPROVED M. Sato 05.09.30	RELEASED
----------------------	----------------------------------	-----------------------------------	---------------------------------	---------------------------------	----------

 SCALE 2 : 1 UNITS mm	DRAWING NO. EDC4-009947-71 HIROSE ELECTRIC CO., LTD.	PART NO. RP13A-12PD-13SC(71) CODE NO. CL113-0186-5-71	1/1
-----------------------------	---	--	-----



X-ON Electronics

Largest Supplier of Electrical and Electronic Components

Click to view similar products for [Circular Push Pull Connectors](#) category:

Click to view products by [Hirose](#) manufacturer:

Other Similar products are found below :

[6407-249V-11273P](#) [6408-201V-13273](#) [6408-202V-13343](#) [6408-202V-17343](#) [EZG.0B.309.CLN](#) [FFA.2S.310.ZLA](#) [FGA.1B.307.CYCD72Z](#)
[FGJ.1B.304.CLLD76](#) [FGJ.1B.306.CWLD72](#) [FGJ.2B.302.CYMD82Z](#) [FGJ.2B.310.CYMD72Z](#) [FGJ.3B.304.CYMD10Z](#)
[FGJ.3B.304.CYMD82Z](#) [FHJ.2B.310.CLLD72](#) [PCS.01.250.DLLE24](#) [PHG.0K.305.CYMC40Z](#) [PHG.1K.308.CLLK85](#) [PKG.M0.6BL.LZ](#)
[PLC.M1.0SL.LA](#) [GMA.10.290.DN](#) [GMA.3B.090.DA](#) [PRG.M0.6GL.LC52GZ](#) [PSA.1S.275.CTLC66](#) [ABF.1S.250.NTA](#) [133020F](#)
[1331ER193MZ](#) [1332M107MZ](#) [DTS26Z19-32JA-LC](#) [DTS26Z19-32SA](#) [DTS26Z19-32SA-LC](#) [DTS26Z23-55HA](#) [DTS26Z23-55HA-LC](#)
[DTS26Z23-55JA-LC](#) [EAJ.1B.306.CWA](#) [ECG.XB.312.CLL](#) [1589430-2](#) [EEA.0B.305.CLN](#) [EEA.0B.309.CLL](#) [ELF.00.250.NTL](#)
[ERA.01.250.DLL](#) [BRD.0B.200.PCSG](#) [BRR.2S.200.PZVG](#) [HR10A-P](#) [CAH.M34.SLL.C72GZ](#) [CAJ.M34.SLL.C72GZ](#) [300500](#)
[ESB.00.303.NLL](#) [EXG.0B.309.HLN](#) [FFB.1S.250.CLAC27](#) [FFG.1B.306.CLAZ](#)