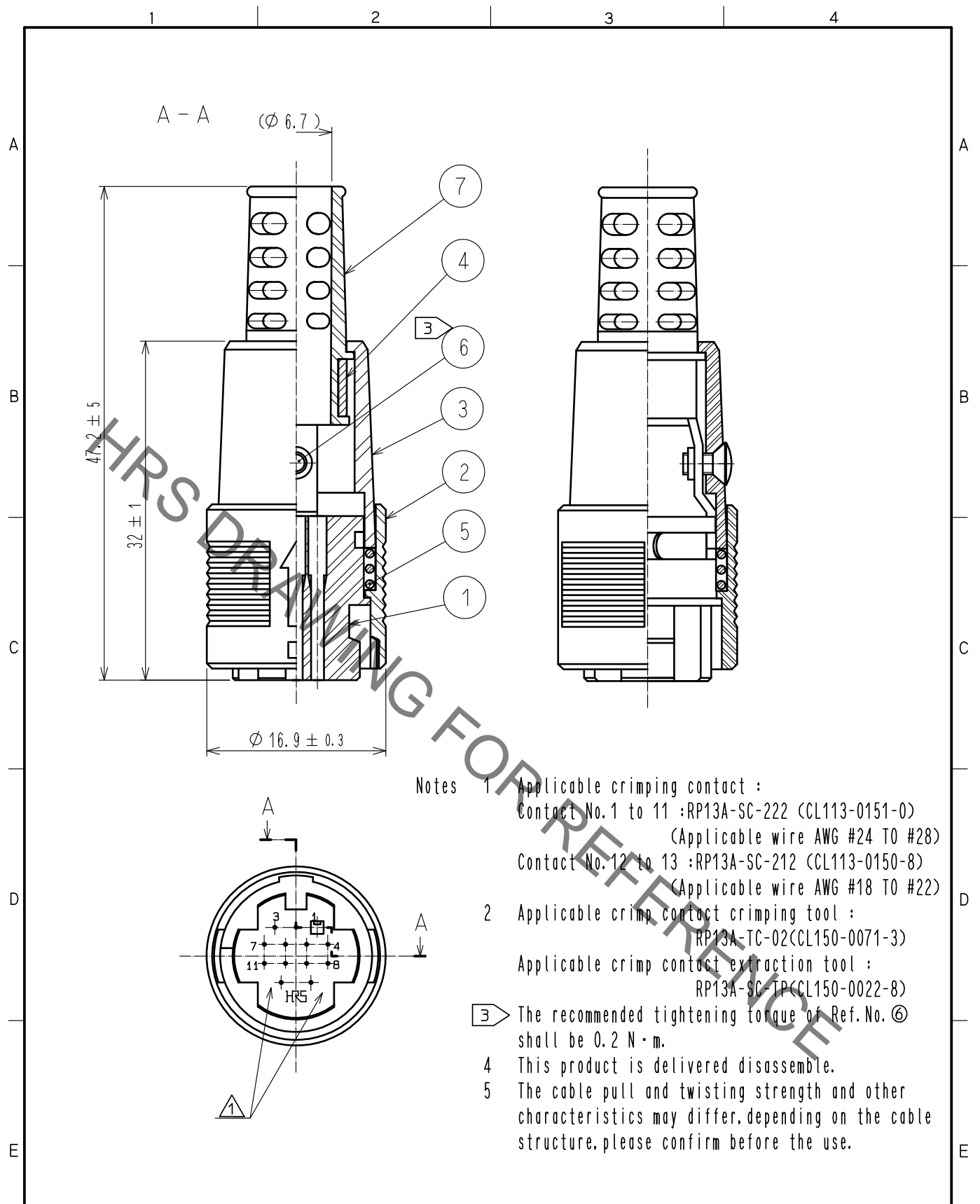


Sep.1.2021 Copyright 2021 HIROSE ELECTRIC CO., LTD. All Rights Reserved.
 In case of consideration for using Automotive equipment / device which demand high reliability, kindly contact our sales window correspondents.



- Notes
- Applicable crimping contact :
 Contact No.1 to 11 :RP13A-SC-222 (CL113-0151-0)
 (Applicable wire AWG #24 TO #28)
 Contact No.12 to 13 :RP13A-SC-212 (CL113-0150-8)
 (Applicable wire AWG #18 TO #22)
 - Applicable crimp contact crimping tool :
 RP13A-TC-02(CL150-0071-3)
 Applicable crimp contact extraction tool :
 RP13A-SC-TP(CL150-0022-8)
 - The recommended tightening torque of Ref.No. ③ shall be 0.2 N·m.
 - This product is delivered disassemble.
 - The cable pull and twisting strength and other characteristics may differ, depending on the cable structure, please confirm before the use.

| 4 | Brass | | | 7 | Polyvinylchloride | (Black) UL94V-0 | |
|-----|---------------|-----------------|---------|-----|-------------------|--|---------|
| 3 | Polycarbonate | (Black) UL94V-0 | | 6 | Brass | Black chromate treatment(Trivalent chromium) JIS B1111 M2X0.4X4 | |
| 2 | Polycarbonate | (Black) UL94V-0 | | 5 | Steel | Nickel plating | |
| 1 | Polycarbonate | (Black) UL94V-0 | | | | | |
| NO. | MATERIAL | FINISH | REMARKS | NO. | MATERIAL | FINISH | REMARKS |

| | | | | | | | |
|--|--|----------------|------------|--|------------------------|--------------------------|------------------|
| UNITS mm | | SCALE 2 : 1 | COUNT 1 | DESCRIPTION OF REVISIONS DIS-C-00003629 | DESIGNED TY. SUZUKI | CHECKED HY. KOBAYASHI | DATE 20200302 |
| APPROVED :EJ. KUNII 20160512 CHECKED :EJ. KUNII 20160512 DESIGNED :MM. ISHII 20160512 DRAWN :MM. ISHII 20160512 | | | | DRAWING NO. EDC-010191-71-00 PART NO. RP13A-12PE-13SC(71) CODE NO. CL113-0201-7-71 | | | |

X-ON Electronics

Largest Supplier of Electrical and Electronic Components

Click to view similar products for [Circular Push Pull Connectors](#) category:

Click to view products by [Hirose](#) manufacturer:

Other Similar products are found below :

[6407-249V-11273P](#) [6408-201V-13273](#) [6408-202V-13343](#) [6408-202V-17343](#) [EZG.0B.309.CLN](#) [FFA.2S.310.ZLA](#) [FGA.1B.307.CYCD72Z](#)
[FGJ.1B.304.CLLD76](#) [FGJ.1B.306.CWLD72](#) [FGJ.3B.304.CYMD10Z](#) [FGJ.3B.304.CYMD82Z](#) [PCS.01.250.DLLE24](#) [PHG.0K.305.CYMC40Z](#)
[PHG.1K.308.CLLK85](#) [PKG.M0.6BL.LZ](#) [PLC.M1.0SL.LA](#) [GMA.10.290.DN](#) [GMA.3B.090.DA](#) [PRG.M0.6GL.LC52GZ](#) [PSA.1S.275.CTLC66](#)
[ABF.1S.250.NTA](#) [133020F](#) [1331ER193MZ](#) [1332M107MZ](#) [DTS26Z19-32JA-LC](#) [DTS26Z19-32SA](#) [DTS26Z19-32SA-LC](#) [DTS26Z23-55HA](#)
[DTS26Z23-55HA-LC](#) [DTS26Z23-55JA-LC](#) [EAJ.1B.306.CWA](#) [ECG.XB.312.CLL](#) [1589430-2](#) [EEA.0B.305.CLN](#) [EEA.0B.309.CLL](#)
[ELF.00.250.NTL](#) [ERA.01.250.DLL](#) [BRD.0B.200.PCSG](#) [BRR.2S.200.PZVG](#) [HR10A-P](#) [CAH.M34.SLL.C72GZ](#) [CAJ.M34.SLL.C72GZ](#)
[300500](#) [ESB.00.303.NLL](#) [EXG.0B.309.HLN](#) [FFB.1S.250.CLAC27](#) [FGA.2B.306.CYCD92](#) [FGA.2B.306.CYCD92Z](#) [FGA.XB.312.CLAD72](#)
[FGJ.1B.302.CYMD62](#)