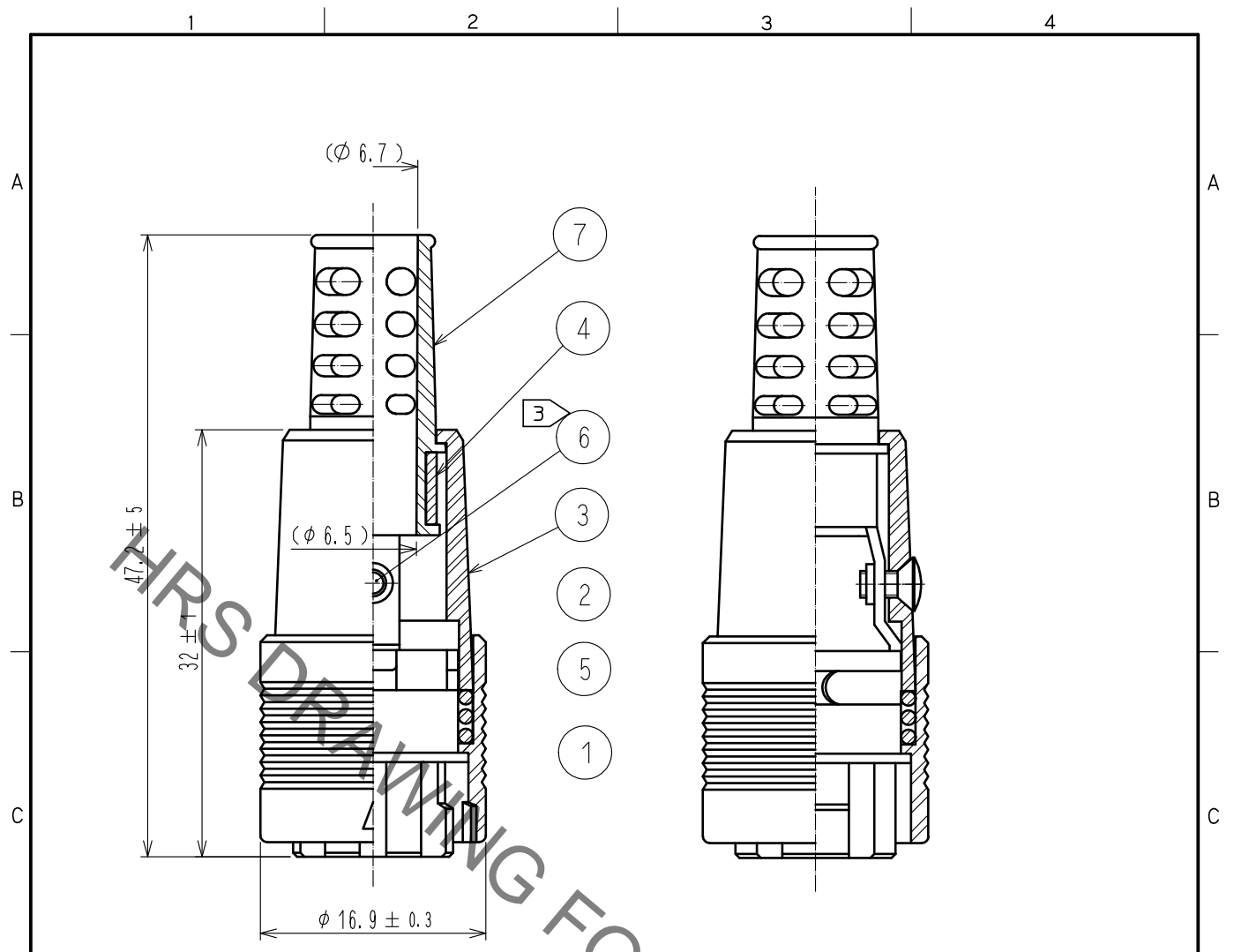
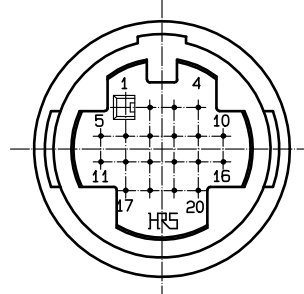


Sep.1.2021 Copyright 2021 HIROSE ELECTRIC CO., LTD. All Rights Reserved.  
 In case of consideration for using Automotive equipment / device which demand high reliability, kindly contact our sales window correspondents.



- Notes
- 1 Applicable crimping contact :  
 RP19-SC-222 (CL113-0266-2)  
 (Applicable wire AWG #24 TO #30)
  - 2 Applicable crimp contact crimping tool :  
 RP13A-TC-02 (CL150-0071-3)  
 Applicable crimp contact extraction tool :  
 RP6-SC-TP (CL150-0039-0)
  - ③ The recommended tightening torque of Ref.No. ⑥ shall be 0.2 N·m.
  - 4 This product is delivered disassembled.
  - 5 The cable pull and twisting strength and other characteristics may differ, depending on the cable structure, please confirm before the use.



| 4   | Brass         |                 |         | 7   | Polyvinylchloride | (Black) UL94V-0   |         |
|-----|---------------|-----------------|---------|-----|-------------------|---|---------|
| 3   | Polycarbonate | (Black) UL94V-0 |         | 6   | Brass             | Black chromate treatment (Trivalent chromium)<br>JIS B1111 M2X0.4X4 |         |
| 2   | Polycarbonate | (Black) UL94V-0 |         | 5   | Steel             | Nickel plating  |         |
| 1   | Polycarbonate | (Black) UL94V-0 |         |     |                   |   |         |
| NO. | MATERIAL      | FINISH          | REMARKS | NO. | MATERIAL          | FINISH  | REMARKS |

|                           |  |                |           |  |  |         |      |
|---------------------------|--|----------------|-----------|--|--|---------|------|
| UNITS<br>mm               |  | SCALE<br>2 : 1 | COUNT<br> | DESCRIPTION OF REVISIONS   | DESIGNED   | CHECKED | DATE |
| HIROSE ELECTRIC CO., LTD. |  |                |           | APPROVED : EJ. KUNII 16.05.31<br>CHECKED : EJ. KUNII 16.05.31<br>DESIGNED : MM. ISHII 16.05.31<br>DRAWN : MM. ISHII 16.05.31 | DRAWING NO. EDC-023026-71-00<br>PART NO. RP13A-12PH-20SC(71)<br>CODE NO. CL113-0217-7-71 |         |      |

## X-ON Electronics

Largest Supplier of Electrical and Electronic Components

*Click to view similar products for [Circular Push Pull Connectors](#) category:*

*Click to view products by [Hirose](#) manufacturer:*

Other Similar products are found below :

[6407-249V-11273P](#) [6408-201V-13273](#) [6408-202V-13343](#) [6408-202V-17343](#) [EZG.0B.309.CLN](#) [FFA.2S.310.ZLA](#) [FGA.1B.307.CYCD72Z](#)  
[FGJ.1B.304.CLLD76](#) [FGJ.1B.306.CWLD72](#) [FGJ.3B.304.CYMD10Z](#) [FGJ.3B.304.CYMD82Z](#) [PCS.01.250.DLLE24](#) [PHG.0K.305.CYMC40Z](#)  
[PHG.1K.308.CLLK85](#) [PKG.M0.6BL.LZ](#) [PLC.M1.0SL.LA](#) [GMA.10.290.DN](#) [GMA.3B.090.DA](#) [PRG.M0.6GL.LC52GZ](#) [PSA.1S.275.CTLC66](#)  
[ABF.1S.250.NTA](#) [133020F](#) [1331ER193MZ](#) [1332M107MZ](#) [DTS26Z19-32JA-LC](#) [DTS26Z19-32SA](#) [DTS26Z19-32SA-LC](#) [DTS26Z23-55HA](#)  
[DTS26Z23-55HA-LC](#) [DTS26Z23-55JA-LC](#) [EAJ.1B.306.CWA](#) [ECG.XB.312.CLL](#) [1589430-2](#) [EEA.0B.305.CLN](#) [EEA.0B.309.CLL](#)  
[ELF.00.250.NTL](#) [ERA.01.250.DLL](#) [BRD.0B.200.PCSG](#) [BRR.2S.200.PZVG](#) [HR10A-P](#) [CAH.M34.SLL.C72GZ](#) [CAJ.M34.SLL.C72GZ](#)  
[300500](#) [ESB.00.303.NLL](#) [EXG.0B.309.HLN](#) [FFB.1S.250.CLAC27](#) [FGA.2B.306.CYCD92](#) [FGA.2B.306.CYCD92Z](#) [FGA.XB.312.CLAD72](#)  
[FGJ.1B.302.CYMD62](#)