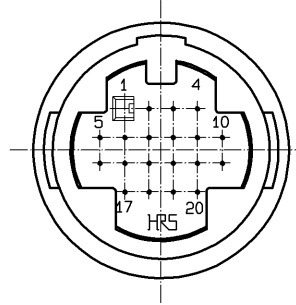
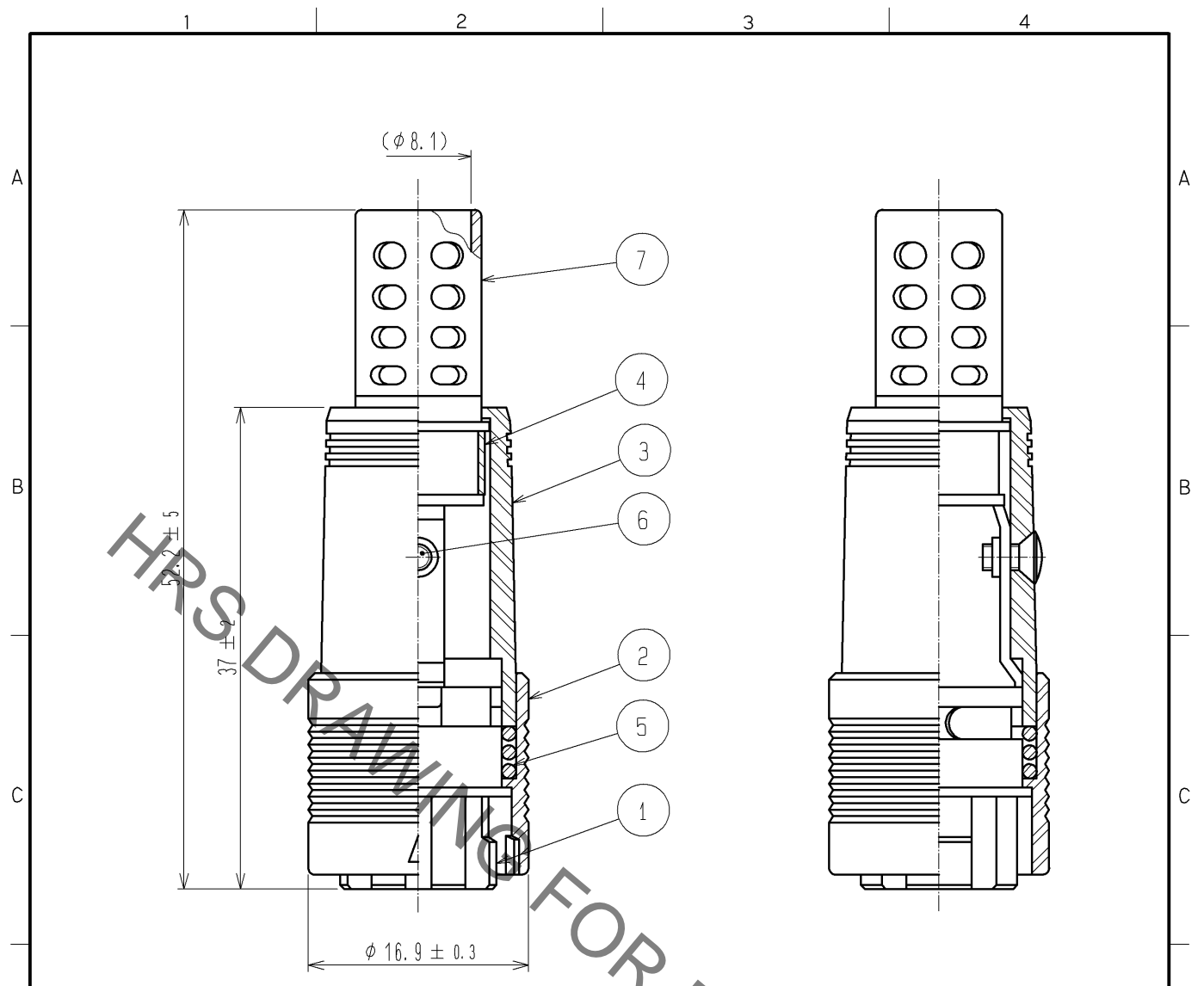


Sep.1.2021 Copyright 2021 HIROSE ELECTRIC CO., LTD. All Rights Reserved.  
 In case of consideration for using Automotive equipment / device which demand high reliability, kindly contact our sales window correspondents.



- NOTES
1. THIS PRODUCT IS DELIVERED DISASSEMBLED.
  2. APPLICABLE CRIMP CONTACT:  
RP19-SC-222 (WIRE RANGE, #24 TO #30 AWG)
  3. APPLICABLE EXTRACTION TOOL FOR CRIMP CONTACT:  
RP6-SC-TP (CL150-0039-0)
  4. APPLICABLE CRIMP TOOL:  
RP13A-TC-02 (CL150-0071-3)

4	BRASS				
3	POLYCARBONATE	(BLACK)	UL94V-0	7	POLYVINYLCHLORIDE (BLACK)
2	POLYCARBONATE	(BLACK)	UL94V-0	6	BRASS
1	POLYCARBONATE	(BLACK)	UL94V-0	5	STEEL
					NICKEL PLATING
NO.	MATERIAL	FINISH, REMARKS		NO.	MATERIAL
					FINISH, REMARKS

UNITS mm		SCALE 2 : 1	COUNT 	DESCRIPTION OF REVISIONS	DESIGNED	CHECKED	DATE
HIROSE ELECTRIC CO., LTD.		APPROVED : MO. SATOH	08.12.03	DRAWING NO.	EDC4-040899-71		
		CHECKED : HY. KOBAYASHI	08.12.03	PART NO.	RP13A-12PS-20SC(71)		
		DESIGNED : TH. KAMEYA	08.12.03	CODE NO.	CL113-1022-3-71		
		DRAWN : TH. KAMEYA	08.12.03		1/1		

## X-ON Electronics

Largest Supplier of Electrical and Electronic Components

*Click to view similar products for [Circular Push Pull Connectors](#) category:*

*Click to view products by [Hirose](#) manufacturer:*

Other Similar products are found below :

[6407-249V-11273P](#) [6408-201V-13273](#) [6408-202V-13343](#) [6408-202V-17343](#) [EZG.0B.309.CLN](#) [FFA.2S.310.ZLA](#) [FGA.1B.307.CYCD72Z](#)  
[FGJ.1B.304.CLLD76](#) [FGJ.1B.306.CWLD72](#) [FGJ.3B.304.CYMD10Z](#) [FGJ.3B.304.CYMD82Z](#) [FHG.1B.303.CYCZ](#) [PCS.01.250.DLLE24](#)  
[PHG.0K.305.CYMC40Z](#) [PHG.1K.308.CLLK85](#) [PKG.M0.6BL.LZ](#) [PLC.M1.0SL.LA](#) [GMA.10.290.DN](#) [GMA.3B.090.DA](#)  
[PRG.M0.6GL.LC52GZ](#) [PSA.1S.275.CTLC66](#) [ABF.1S.250.NTA](#) [133020F](#) [1331ER193MZ](#) [1332M107MZ](#) [DTS26Z19-32JA-LC](#) [DTS26Z19-](#)  
[32SA](#) [DTS26Z19-32SA-LC](#) [DTS26Z23-55HA](#) [DTS26Z23-55HA-LC](#) [EAJ.1B.306.CWA](#) [ECG.XB.312.CLL](#) [1589430-2](#) [EEA.0B.305.CLN](#)  
[EEA.0B.309.CLL](#) [ELF.00.250.NTL](#) [ERA.01.250.DLL](#) [BRR.2S.200.PZVG](#) [HR10A-P](#) [CAH.M34.SLL.C72GZ](#) [CAJ.M34.SLL.C72GZ](#) [300500](#)  
[ESB.00.303.NLL](#) [EXG.0B.309.HLN](#) [FFB.1S.250.CLAC27](#) [FGA.2B.306.CYCD92](#) [FGA.2B.306.CYCD92Z](#) [FGA.XB.312.CLAD72](#)  
[FGJ.1B.302.CYMD62](#) [FGJ.3B.308.CLLD72Z](#)