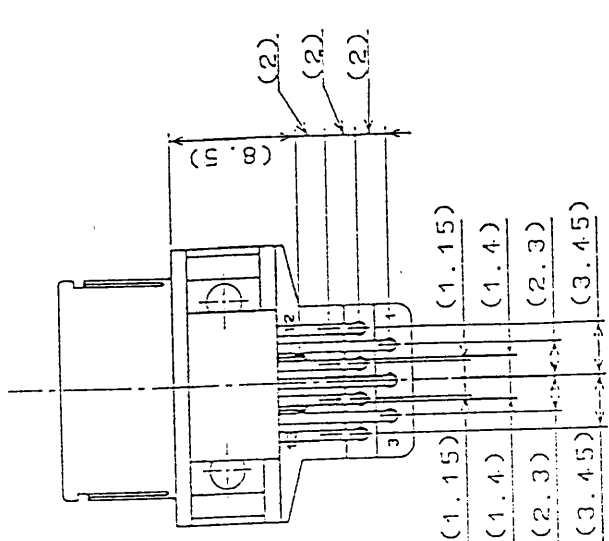
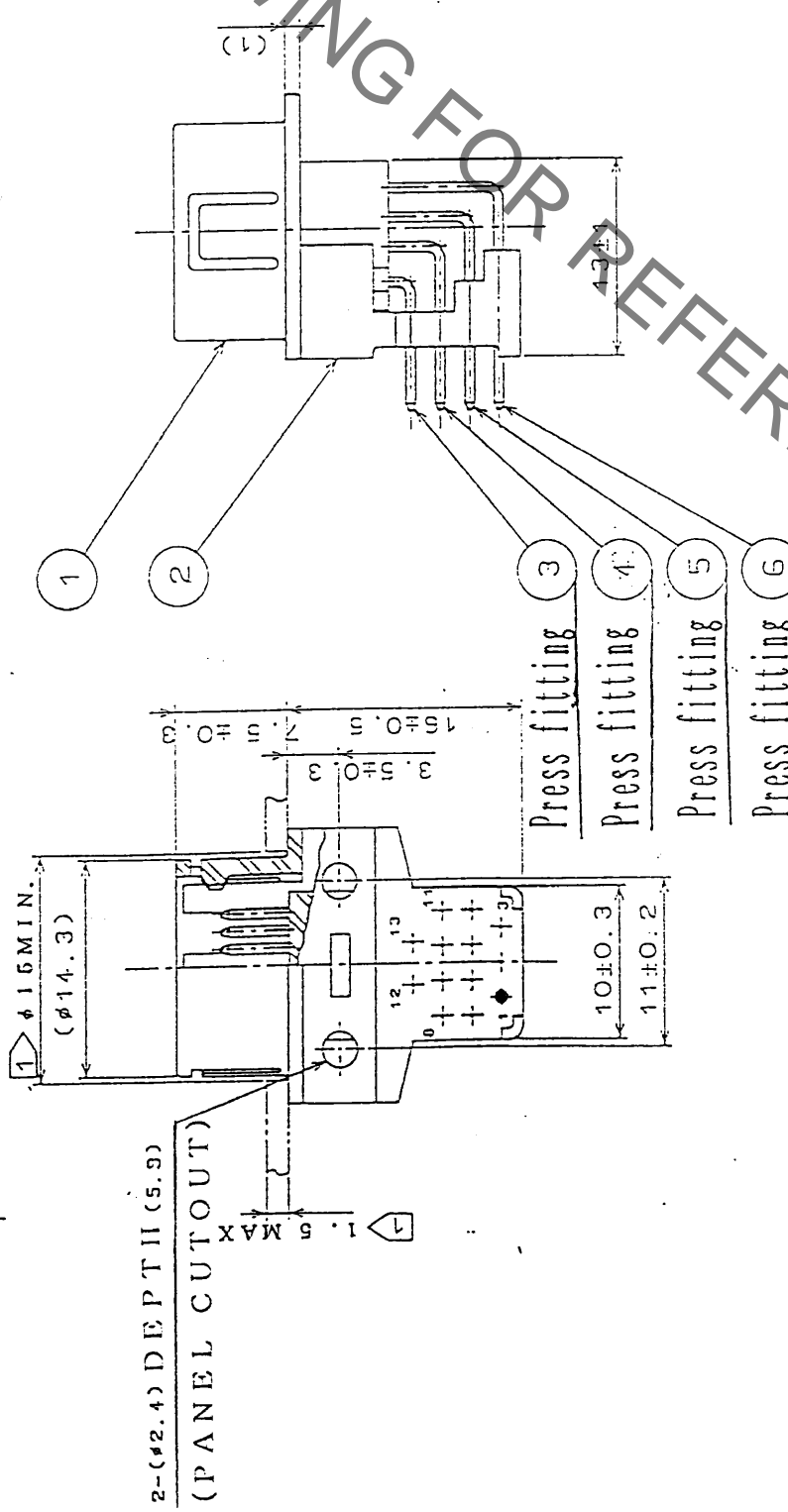
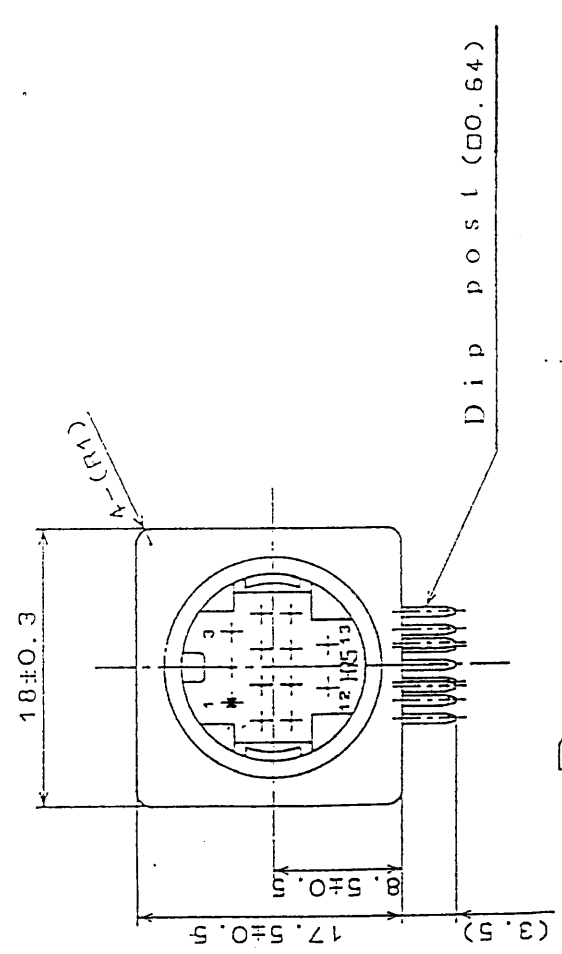


In case of consideration for using Automotive equipment / device which demand high reliability, kindly contact our sales window correspondents.

COUNT	DESCRIPTION OF REVISIONS	BY	CHKD	DATE

COUNT	DESCRIPTION OF REVISIONS	BY	CHKD	DATE



HRS DRAWING FOR REFERENCE

NOTES 1 "1.5 MAX." AND "φ15MIN." SHOW DIMENSIONS FOR PANEL CUTOUT.

2 USE TAPPING SCREW FOR M3 BY JIS B 1122 OR EQUIVALENT TO FIX

THE CONNECTOR.

2	P.B.T	(Black) UI.94V-0		DESIGNED	CHECKED	APPROVED	RELEASED
1	P.B.T	(Black) UI.94V-0	3~6	MATERIAL			
NO.		MATERIAL	FINISH, REMARKS	NO.	MATERIAL	FINISH, REMARKS	
CODE NO. (OLD)		DRAWING NAME		DRAWN	DESIGNED	CHECKED	APPROVED
CL		DRAWING FOR APPROVAL		<i>Y. Iwajima</i>	<i>M. Sato</i>		<i>M. Goshida</i>
SCALE		DRAWING NO. A DC3-29989-		12.1.92	12.2.92		12.10.92
UNITS		PART NO.		PART NO.		PART NO.	
2 : 1		RP13A-12RC-13PB		RP13A-12RC-13PB		RP13A-12RC-13PB	
m.m		HRS HIROSE ELECTRIC CO., LTD.		HRS HIROSE ELECTRIC CO., LTD.		HRS HIROSE ELECTRIC CO., LTD.	
		CODE NO.		CODE NO.		CODE NO.	
		CL113-1020-8-		CL113-1020-8-		CL113-1020-8-	

TO R

X-ON Electronics

Largest Supplier of Electrical and Electronic Components

Click to view similar products for [Circular Push Pull Connectors](#) category:

Click to view products by [Hirose](#) manufacturer:

Other Similar products are found below :

[6407-249V-11273P](#) [6408-201V-13273](#) [6408-202V-13343](#) [6408-202V-17343](#) [EZG.0B.309.CLN](#) [FFA.2S.310.ZLA](#) [FGA.1B.307.CYCD72Z](#)
[FGJ.1B.304.CLLD76](#) [FGJ.1B.306.CWLD72](#) [FGJ.3B.304.CYMD10Z](#) [FGJ.3B.304.CYMD82Z](#) [PCS.01.250.DLLE24](#) [PHG.0K.305.CYMC40Z](#)
[PHG.1K.308.CLLK85](#) [PKG.M0.6BL.LZ](#) [PLC.M1.0SL.LA](#) [GMA.10.290.DN](#) [GMA.3B.090.DA](#) [PRG.M0.6GL.LC52GZ](#) [PSA.1S.275.CTLC66](#)
[ABF.1S.250.NTA](#) [133020F](#) [1331ER193MZ](#) [1332M107MZ](#) [DTS26Z19-32JA-LC](#) [DTS26Z19-32SA](#) [DTS26Z19-32SA-LC](#) [DTS26Z23-55HA](#)
[DTS26Z23-55HA-LC](#) [DTS26Z23-55JA-LC](#) [EAJ.1B.306.CWA](#) [ECG.XB.312.CLL](#) [1589430-2](#) [EEA.0B.305.CLN](#) [EEA.0B.309.CLL](#)
[ELF.00.250.NTL](#) [ERA.01.250.DLL](#) [BRD.0B.200.PCSG](#) [BRR.2S.200.PZVG](#) [HR10A-P](#) [CAH.M34.SLL.C72GZ](#) [CAJ.M34.SLL.C72GZ](#)
[300500](#) [ESB.00.303.NLL](#) [EXG.0B.309.HLN](#) [FFB.1S.250.CLAC27](#) [FGA.2B.306.CYCD92](#) [FGA.2B.306.CYCD92Z](#) [FGA.XB.312.CLAD72](#)
[FGJ.1B.302.CYMD62](#)