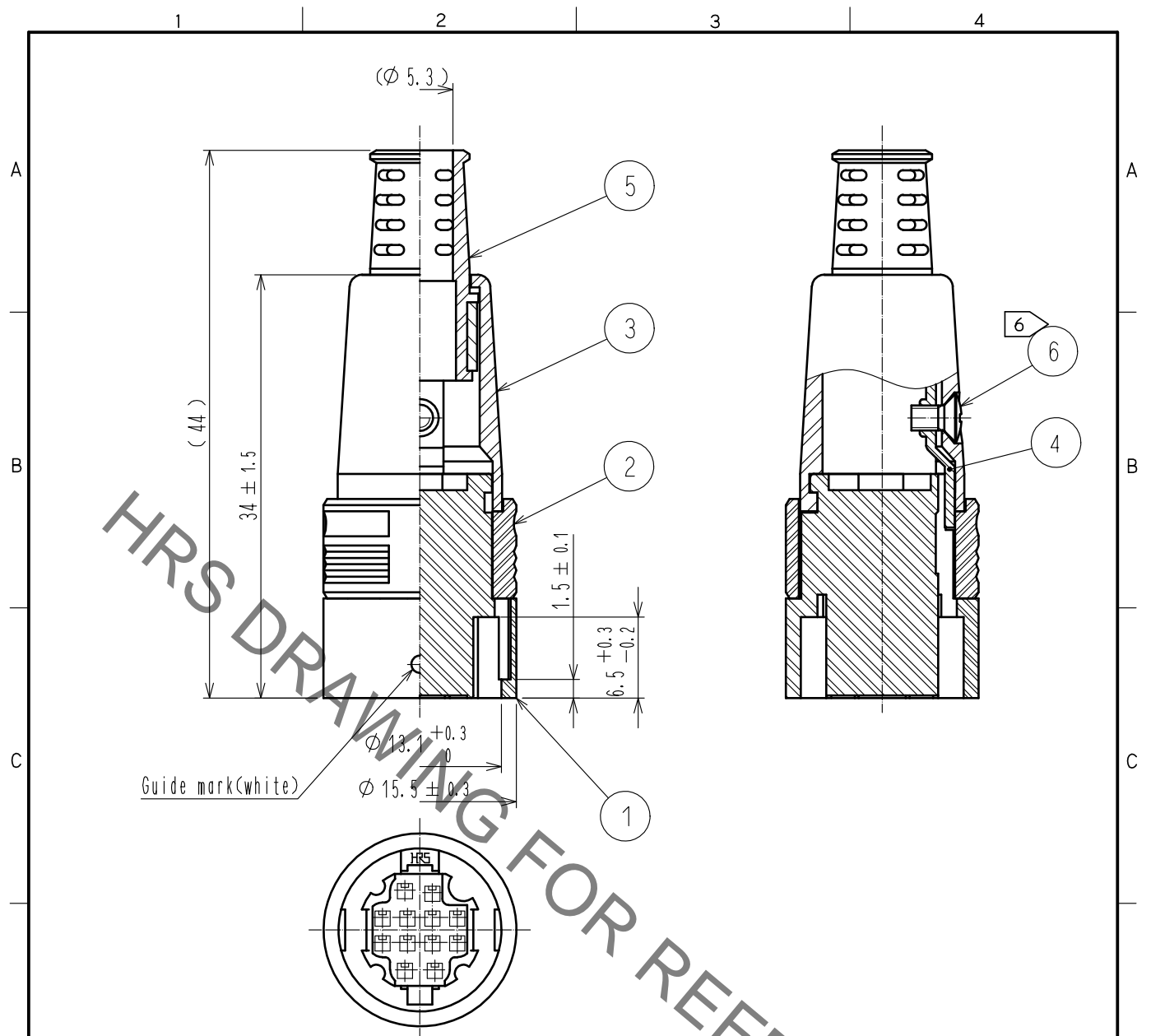


Aug.1.2021 Copyright 2021 HIROSE ELECTRIC CO., LTD. All Rights Reserved.  
In case of consideration for using Automotive equipment / device which demand high reliability, kindly contact our sales window correspondents.



- Notes
- 1 Shall be disassembled when delivered
  - 2 Applicable crimp contact:  
Contact No. 2, 11, 12  
RP17-SC-212 (Applicable cable size : AWG #18 to #22)  
Cable jacket outer diameter shall be  $\phi 1.7$ mm or less.  
Contact No. 1, 3 to 10  
RP17-SC-222 (Applicable cable size : AWG #24 to #30)  
Cable jacket outer diameter shall be  $\phi 1.2$ mm or less.
  - 3 Extraction tool : RP6-SC-TP
  - 4 Applicable cable crimping tool : RP17-TC-01
  - 5 The cable pull and twisting strength and other characteristics may differ, depending on the cable structure, please confirm before the use.
  - 6 The recommended clamp torque of Ref. No. ⑥ to be 0.2N · m.

3	POLYCARBONATE	(BLACK) UL94V-0	6	BRASS	BLACK CHROMATE TREATMENT (TRIVALENT CHROMIUM)	JIS B 1111 M2×0.4×4	
2	POLYCARBONATE	(BLACK) UL94V-0	5	POLYVINYLCHLORIDE	(BLACK)		
1	POLYCARBONATE	(BLACK) UL94V-0	4	BRASS			
NO.	MATERIAL	FINISH .	REMARKS	NO.	MATERIAL	FINISH .	REMARKS

UNITS mm		SCALE 2 : 1	COUNT 	DESCRIPTION OF REVISIONS	DESIGNED	CHECKED	DATE
HIROSE ELECTRIC CO., LTD.				APPROVED : EJ. KUNII 16.02.12 CHECKED : EJ. KUNII 16.02.12 DESIGNED : WR. AJIRO 16.02.12 DRAWN : WR. AJIRO 16.02.12	DRAWING NO. EDC-026436-71-00 PART NO. RP17-13J-12SC(71) CODE NO. CL113-0515-5-71	1/1	

## X-ON Electronics

Largest Supplier of Electrical and Electronic Components

*Click to view similar products for [Circular Push Pull Connectors](#) category:*

*Click to view products by [Hirose](#) manufacturer:*

Other Similar products are found below :

[6407-249V-11273P](#) [6408-201V-13273](#) [6408-202V-13343](#) [6408-202V-17343](#) [EZG.0B.309.CLN](#) [FFA.2S.310.ZLA](#) [FGA.1B.307.CYCD72Z](#)  
[FGJ.1B.304.CLLD76](#) [FGJ.1B.306.CWLD72](#) [FGJ.3B.304.CYMD10Z](#) [FGJ.3B.304.CYMD82Z](#) [PCS.01.250.DLLE24](#) [PHG.0K.305.CYMC40Z](#)  
[PHG.1K.308.CLLK85](#) [PKG.M0.6BL.LZ](#) [PLC.M1.0SL.LA](#) [GMA.10.290.DN](#) [GMA.3B.090.DA](#) [PRG.M0.6GL.LC52GZ](#) [PSA.1S.275.CTLC66](#)  
[ABF.1S.250.NTA](#) [133020F](#) [1331ER193MZ](#) [1332M107MZ](#) [DTS26Z19-32JA-LC](#) [DTS26Z19-32SA](#) [DTS26Z19-32SA-LC](#) [DTS26Z23-55HA](#)  
[DTS26Z23-55HA-LC](#) [DTS26Z23-55JA-LC](#) [EAJ.1B.306.CWA](#) [ECG.XB.312.CLL](#) [1589430-2](#) [EEA.0B.305.CLN](#) [EEA.0B.309.CLL](#)  
[ELF.00.250.NTL](#) [ERA.01.250.DLL](#) [BRD.0B.200.PCSG](#) [BRR.2S.200.PZVG](#) [HR10A-P](#) [CAH.M34.SLL.C72GZ](#) [CAJ.M34.SLL.C72GZ](#)  
[300500](#) [ESB.00.303.NLL](#) [EXG.0B.309.HLN](#) [FFB.1S.250.CLAC27](#) [FGA.2B.306.CYCD92](#) [FGA.2B.306.CYCD92Z](#) [FGA.XB.312.CLAD72](#)  
[FGJ.1B.302.CYMD62](#)