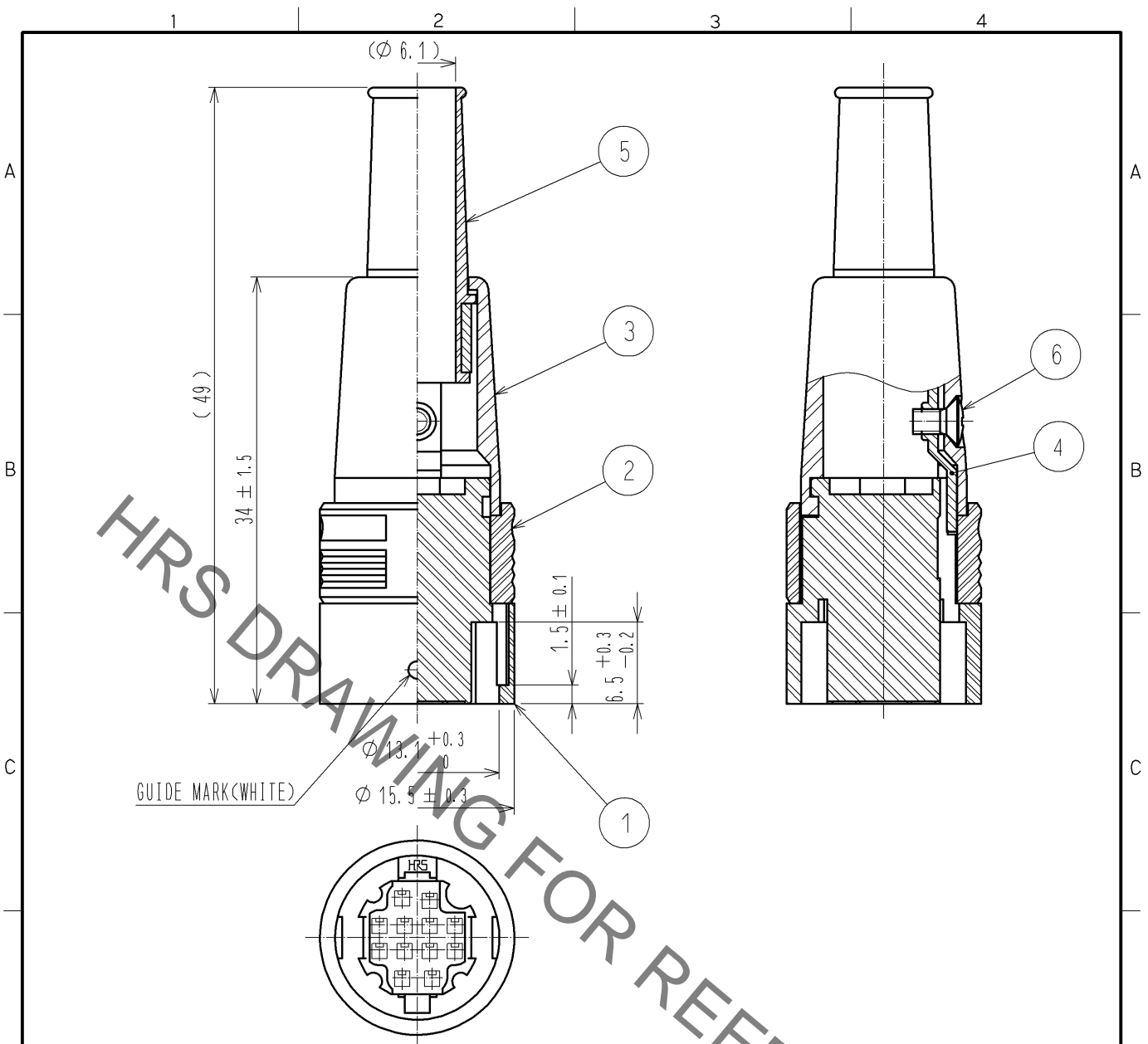


Sep.1.2021 Copyright 2021 HIROSE ELECTRIC CO., LTD. All Rights Reserved.
 In case of consideration for using Automotive equipment / device which demand high reliability, kindly contact our sales window correspondents.



- NOTES
- 1 THIS PRODUCT IS DELIVERED DISASSEMBLED.
 - 2 APPLICABLE CRIMP CONTACT AND TOOLS.

| | | | |
|--------------------------|-------------------------|---|---|
| CONTACT NO. | | 2, 11, 12 | 1, 3, 4, 5, 6, 7, 8, 9, 10 |
| APPLICABLE CRIMP CONTACT | LOOSE PIECE CONTACT | RP17-SC-212 (CL113-0509-2) SILVER PLATING 4 μm min. | RP17-SC-222 (CL113-0510-1) SILVER PLATING 4 μm min. |
| | SIZE | AWG#18 TO #22 | AWG#24 TO #30 |
| APPLICABLE WIRE | JACKET OUTER DIAMETER | MAX φ 1.7 | MAX φ 1.2 |
| | CONTACT EXTRACTION TOOL | RP6-SC-TP | |
| MANUAL CRIMPING TOOL | | RP17-TC-01 | |

- 3 THE CABLE PULL AND TWISTING STRENGTH AND OTHER CHARACTERISTICS MAY DIFFER, DEPENDING ON THE CABLE STRUCTURE. PLEASE CONFIRM BEFORE THE USE.

| 3 | POLYCARBONATE | (BLACK) UL94V-0 | 6 | BRASS | BLACK CHROMATE TREATMENT (TRIVALENT CHROMIUM) |
|-----|---------------|------------------|-----|-------------------|---|
| 2 | POLYCARBONATE | (BLACK) UL94V-0 | 5 | POLYVINYLCHLORIDE | (BLACK) |
| 1 | POLYCARBONATE | (BLACK) UL94V-0 | 4 | BRASS | |
| NO. | MATERIAL | FINISH . REMARKS | NO. | MATERIAL | FINISH . REMARKS |

| | | | | | | | |
|---------------------------|--|----------------|-----------|--|---|---------|------|
| UNITS mm | | SCALE 2 : 1 | COUNT | DESCRIPTION OF REVISIONS | DESIGNED | CHECKED | DATE |
| HIROSE ELECTRIC CO., LTD. | | | | APPROVED : EJ. KUNII 13.11.18 CHECKED : HT. ZENBA 13.11.18 DESIGNED : HK. NAMAI 13.11.18 DRAWN : HK. NAMAI 13.11.18 | DRAWING NO. EDC3-040741-71 PART NO. RP17-13JA-12SC(71) CODE NO. CL113-0516-8-71 | | |

X-ON Electronics

Largest Supplier of Electrical and Electronic Components

Click to view similar products for [Circular Push Pull Connectors](#) category:

Click to view products by [Hirose](#) manufacturer:

Other Similar products are found below :

[6407-249V-11273P](#) [6408-201V-13273](#) [6408-202V-13343](#) [6408-202V-17343](#) [EZG.0B.309.CLN](#) [FFA.2S.310.ZLA](#) [FGA.1B.307.CYCD72Z](#)
[FGJ.1B.304.CLLD76](#) [FGJ.1B.306.CWLD72](#) [FGJ.3B.304.CYMD10Z](#) [FGJ.3B.304.CYMD82Z](#) [PCS.01.250.DLLE24](#) [PHG.0K.305.CYMC40Z](#)
[PHG.1K.308.CLLK85](#) [PKG.M0.6BL.LZ](#) [PLC.M1.0SL.LA](#) [GMA.10.290.DN](#) [GMA.3B.090.DA](#) [PRG.M0.6GL.LC52GZ](#) [PSA.1S.275.CTLC66](#)
[ABF.1S.250.NTA](#) [133020F](#) [1331ER193MZ](#) [1332M107MZ](#) [DTS26Z19-32JA-LC](#) [DTS26Z19-32SA](#) [DTS26Z19-32SA-LC](#) [DTS26Z23-55HA](#)
[DTS26Z23-55HA-LC](#) [DTS26Z23-55JA-LC](#) [EAJ.1B.306.CWA](#) [ECG.XB.312.CLL](#) [1589430-2](#) [EEA.0B.305.CLN](#) [EEA.0B.309.CLL](#)
[ELF.00.250.NTL](#) [ERA.01.250.DLL](#) [BRD.0B.200.PCSG](#) [BRR.2S.200.PZVG](#) [HR10A-P](#) [CAH.M34.SLL.C72GZ](#) [CAJ.M34.SLL.C72GZ](#)
[300500](#) [ESB.00.303.NLL](#) [EXG.0B.309.HLN](#) [FFB.1S.250.CLAC27](#) [FGA.2B.306.CYCD92](#) [FGA.2B.306.CYCD92Z](#) [FGA.XB.312.CLAD72](#)
[FGJ.1B.302.CYMD62](#)