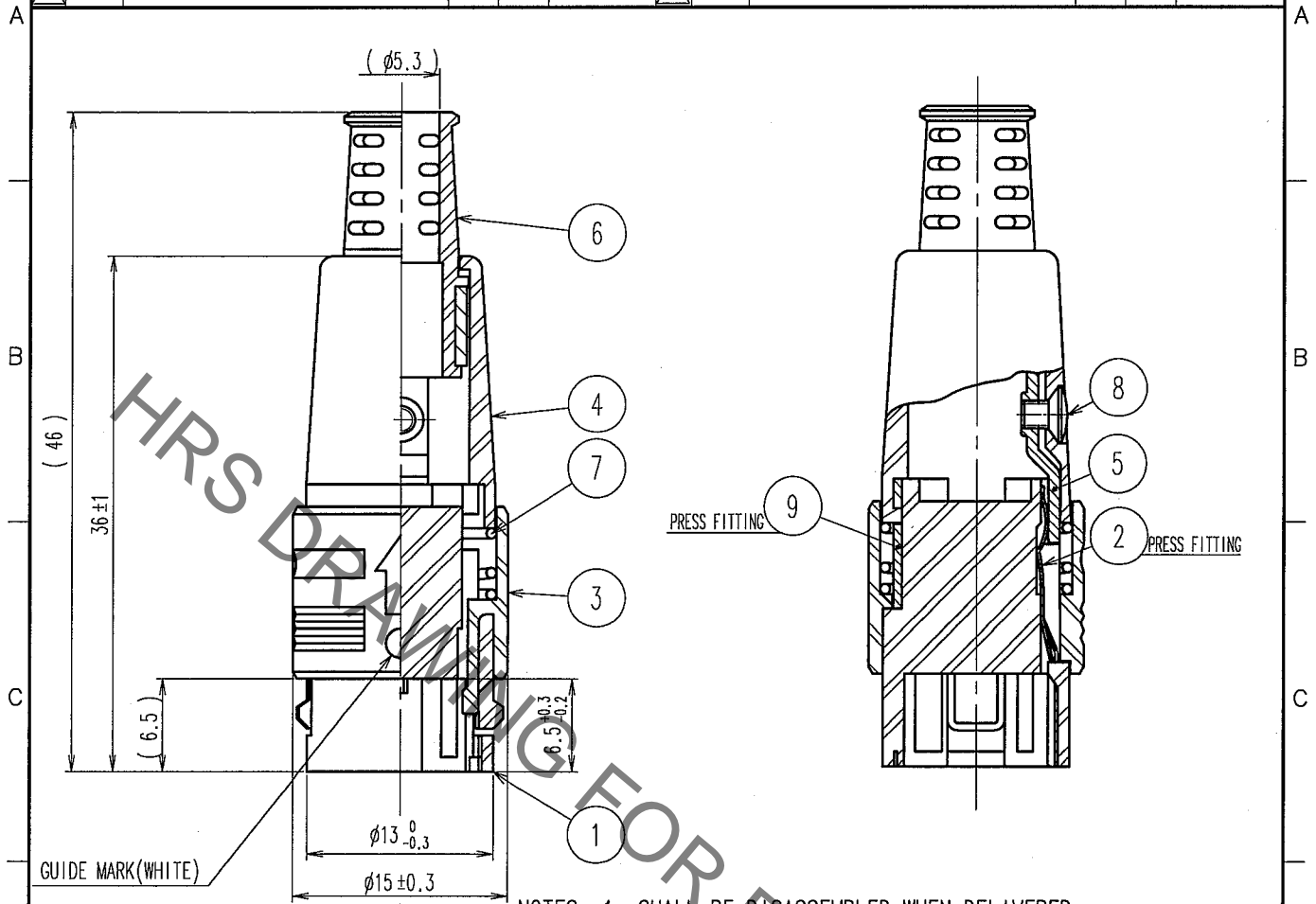


Sep.1.2021 Copyright 2021 HIROSE ELECTRIC CO., LTD. All Rights Reserved.
In case of consideration for using Automotive equipment / device which demand high reliability, kindly contact our sales window correspondents.

1					2					3					4				
COUNT	DESCRIPTION OF REVISIONS				BY	CHKD	DATE	COUNT	DESCRIPTION OF REVISIONS				BY	CHKD	DATE				
△								△											
△								△											
△								△											



- NOTES
- 1 SHALL BE DISASSEMBLED WHEN DELIVERED.
 - 2 APPLICABLE CRIMP CONTACT:
CONTACT No. 2, 11, 12
RP17-PC-212 (APPLICABLE CABLE SIZE : AWG#18 TO #22)
CABLE JACKET OUTER DEAMETER SHALL BE ϕ 1.7mm OR LESS.
CONTACT No. 1, 3 TO 10
RP17-PC-222 (APPLICABLE CABLE SIZE : AWG#24 TO #30)
CABLE JACKET OUTER DEAMETER SHALL BE ϕ 1.2mm OR LESS.
 - 3 EXTRACTION TOOL : RP6-SC-TP
 - 4 APPLICABLE CABLE CRIMPING TOOL : RP17-TC-01
 - 5 THE CABLE CLAMP STRENGTH AND OTHER CHARACTERISTICS MAY DIFFER, DEPENDING ON THE CABLE STRUCTURE. PLEASE CONFIRM BEFORE THE USE.

5	BRASS			9	BRASS		
4	POLYCARBONATE	(BLACK) UL94V-0		8	BRASS	BLACK CHROMATE TREATMENT (TRIVALENT CHROMIUM)	JIS B 1111 M2×0.4×4
3	POLYCARBONATE	(BLACK) UL94V-0		7	STEEL	NICKEL PLATING	
2	STAINLESS STEEL			6	POLYVINYL CHLORIDE	(BLACK)	
1	POLYCARBONATE	(BLACK) UL94V-0					
NO.	MATERIAL	FINISH, REMARKS		NO.	MATERIAL	FINISH, REMARKS	

CODE NO. (OLD) CL		DRAWN	DESIGNED	CHECKED	APPROVED	RELEASED
		M. ISHII	E. YUMINO	H. ZEMBA	M. SATO	
		06.06.29	06.06.29	06.06.30	06.06.30	

SCALE	DRAWING NO.	PART NO.
2 : 1	EDC4-025906-71	RP17A-13P-12PC(71)
UNITS	CODE NO.	
mm	CL113-0551-9-71	

TO
R

X-ON Electronics

Largest Supplier of Electrical and Electronic Components

Click to view similar products for [Circular Push Pull Connectors](#) category:

Click to view products by [Hirose](#) manufacturer:

Other Similar products are found below :

[6407-249V-11273P](#) [6408-201V-13273](#) [6408-202V-13343](#) [6408-202V-17343](#) [EZG.0B.309.CLN](#) [FFA.2S.310.ZLA](#) [FGA.1B.307.CYCD72Z](#)
[FGJ.1B.304.CLLD76](#) [FGJ.1B.306.CWLD72](#) [FGJ.3B.304.CYMD10Z](#) [FGJ.3B.304.CYMD82Z](#) [PCS.01.250.DLLE24](#) [PHG.0K.305.CYMC40Z](#)
[PHG.1K.308.CLLK85](#) [PKG.M0.6BL.LZ](#) [PLC.M1.0SL.LA](#) [GMA.10.290.DN](#) [GMA.3B.090.DA](#) [PRG.M0.6GL.LC52GZ](#) [PSA.1S.275.CTLC66](#)
[ABF.1S.250.NTA](#) [133020F](#) [1331ER193MZ](#) [1332M107MZ](#) [DTS26Z19-32JA-LC](#) [DTS26Z19-32SA](#) [DTS26Z19-32SA-LC](#) [DTS26Z23-55HA](#)
[DTS26Z23-55HA-LC](#) [DTS26Z23-55JA-LC](#) [EAJ.1B.306.CWA](#) [ECG.XB.312.CLL](#) [1589430-2](#) [EEA.0B.305.CLN](#) [EEA.0B.309.CLL](#)
[ELF.00.250.NTL](#) [ERA.01.250.DLL](#) [BRD.0B.200.PCSG](#) [BRR.2S.200.PZVG](#) [HR10A-P](#) [CAH.M34.SLL.C72GZ](#) [CAJ.M34.SLL.C72GZ](#)
[300500](#) [ESB.00.303.NLL](#) [EXG.0B.309.HLN](#) [FFB.1S.250.CLAC27](#) [FGA.2B.306.CYCD92](#) [FGA.2B.306.CYCD92Z](#) [FGA.XB.312.CLAD72](#)
[FGJ.1B.302.CYMD62](#)