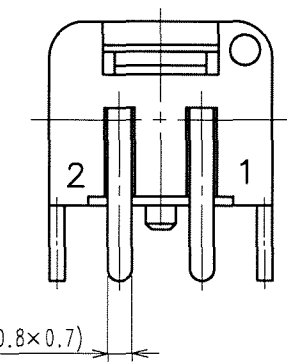
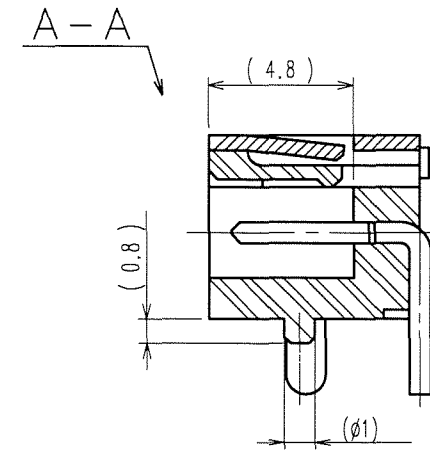
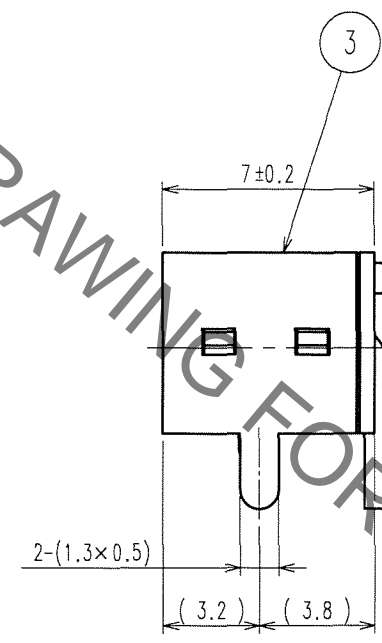
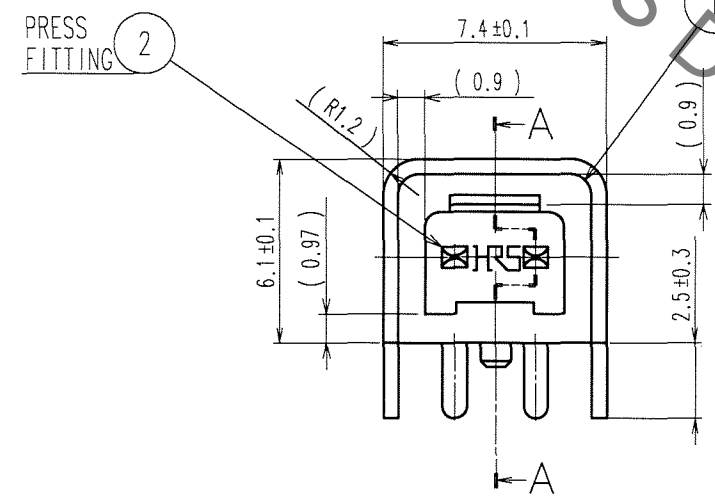
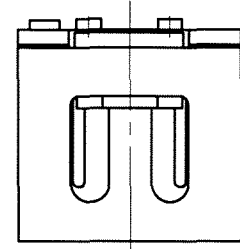
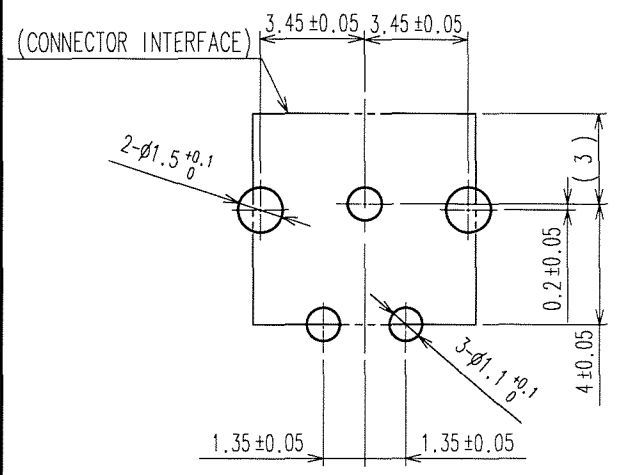


Aug.1.2021 Copyright 2021 HIROSE ELECTRIC CO., LTD. All Rights Reserved.
 In case of consideration for using Automotive equipment / device which demand high reliability, kindly contact our sales window correspondents.

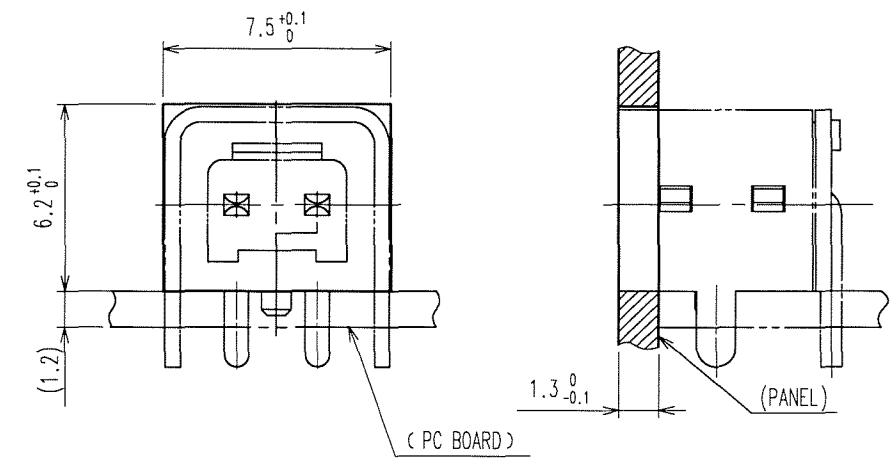
COUNT	DESCRIPTION OF REVISIONS	BY	CHKD	DATE	COUNT	DESCRIPTION OF REVISIONS	BY	CHKD	DATE
△				..	△				..
△				..	△				..
△				..	△				..



RECOMMENDED PC BOARD HOLE PATTERN



1 PANEL CUTOUT (REFERENCE)



NOTE 1 PLEASE ARRANGE TO HOLD THE OUTLINE WITH THE PANEL AS SHOWN.

2	BRASS	OVER PLATING : PALLADIUM 1μ m min. UNDER PLATING : NICKEL 3μ m min.			
1	POLYAMIDE	(BLACK) UL94HB	3	PHOSPHOR BRONZE	TIN-LEAD PLATING
NO.	MATERIAL	FINISH, REMARKS	NO.	MATERIAL	FINISH, REMARKS
CODE NO. (OLD) CL		DRAWN <i>M. Sato</i> 06.12.20	DESIGNED <i>D. Matsumura</i> 06.12.20	CHECKED <i>M. Sato</i> 06.12.21	APPROVED <i>M. Sato</i> 06.12.21
DRAWING NO. EDC3-111442-71		PART NO. RP34L-5R-2PD(71)			
SCALE 4 : 1		CODE NO. CL113-5154-6-71			1/1
UNITS mm		HIROSE ELECTRIC CO., LTD			

TO
R

X-ON Electronics

Largest Supplier of Electrical and Electronic Components

Click to view similar products for [AC Power Plugs & Receptacles](#) category:

Click to view products by [Hirose](#) manufacturer:

Other Similar products are found below :

[739W-X2/03-BACK1](#) [85447L](#) [1301460003](#) [1301520016](#) [1301520008](#) [14W07](#) [15W07](#) [22806](#) [929662-1](#) [27W75](#) [27W81](#) [962160-1](#)
[29W08MB](#) [29W82](#) [26W](#) [27W47](#) [27W48](#) [28W](#) [28W81](#) [29W47MB](#) [HDR-E14FG1+](#) [30-9717-25](#) [43305](#) [85266](#) [5262DW](#) [22801](#) [22804](#)
[25W47](#) [701W-15/06](#) [701W-20/27](#) [26W75](#) [27T76](#) [29T48](#) [739W-20/XX](#) [1301860536](#) [1301520018](#) [1301520021](#) [1301520020](#) [8210GY](#)
[29W48](#) [3011-06](#) [A52S22A](#) [739W-X2/XX3](#) [26T49](#) [2707](#) [26W47-W](#) [1301450073](#) [RECWALLBOXBA](#) [1301490033](#) [1301490032](#)