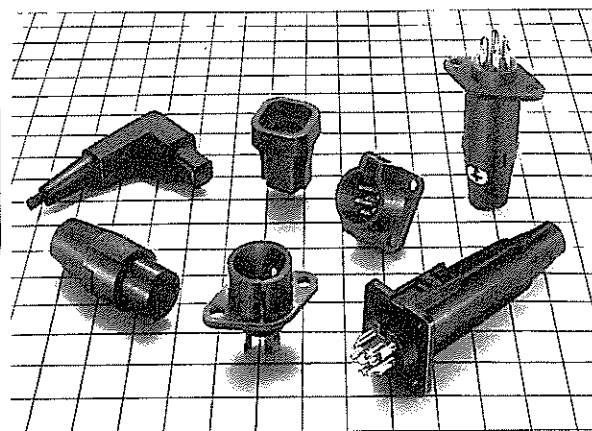


RP SERIES CIRCULAR PLASTIC CONNECTORS

Scope

RP series plastic connectors are developed to meet the demands of low cost and light weight consumer electronic equipment. Its unique one-touch locking mechanism is a push-on system. It offers easy coupling and stable performance.



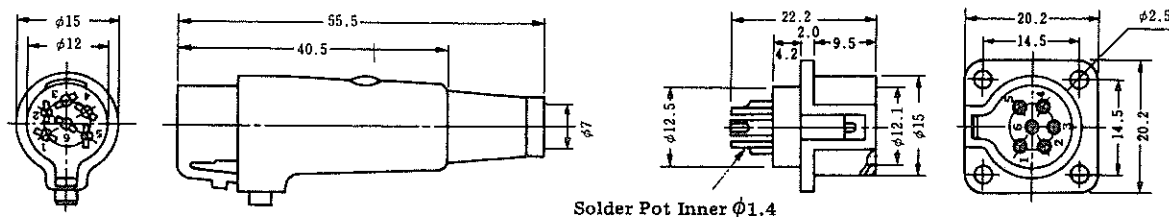
Material and Finish

Description	Material	Finish
Molding and Insulator	Polyamide resin and Polyacetal resin	—
Male pin	Brass	Silver plating
Female pin	Phosphor bronze	Silver plating

Performance

Description	Test data	
	RPC1 • RPC2	RP9
Withstand voltage	AC500V/1 minute	AC300V/1 minute
Current capacity	5A	1A
Insulation resistance	DC500V/1,000MΩ min	DC100V/200MΩ min
Contact resistance	5mΩ max at DC1A	10mΩ max at DC1A

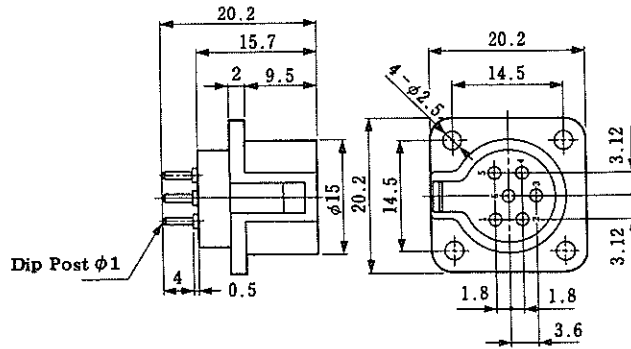
RPC1



Solder Pot Inner $\phi 1.4$

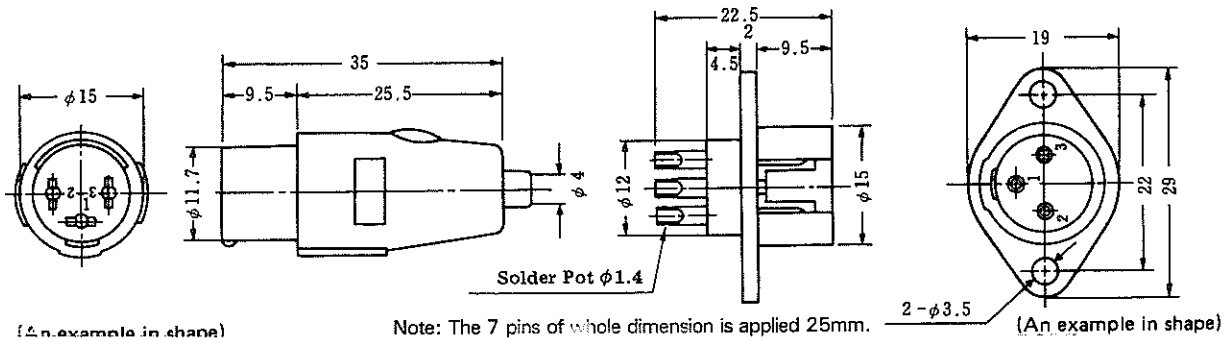
HRS No.	Part No.	No. of pin	Colour	RoHS
113-0001-8-71	RPC1-12P-6S(71)	6	Gray	○
113-0001-8-73	RPC1-12P-6S(73)	6	Black	

HRS No.	Part No.	No. of pin	Colour	RoHS
113-0020-2-71	RPC1-12RB-6P(71)	6	Black	○
113-0020-2-72	RPC1-12RB-6P(72)	6	Gray	



HRS No.	Part No.	No. of pin	Colour	RoHS
113-0065-0-71	RPC1-12RB-6PD(71)	6	Black	○

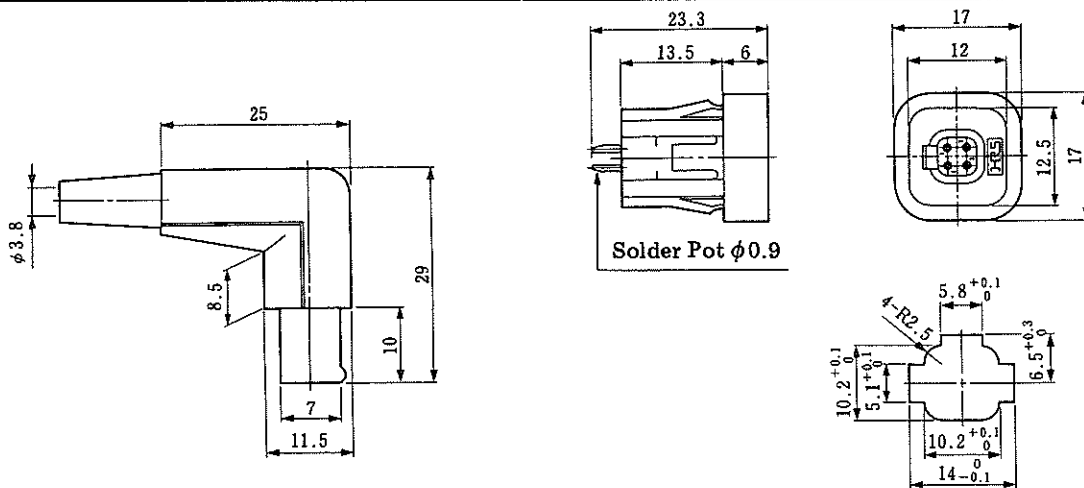
RPC2



HRS No.	Part No.	No. of pin	Colour	RoHS
113-0003-3-71	RPC2-12P-3S(71)	3	Blue	○
113-0015-2-71	RPC2-12P-7S(71)	7	Blue	

HRS No.	Part No.	No. of pin	Colour	RoHS
113-0023-0-71	RPC2-12RB-3P(71)	3	Blue	○
113-0024-3-71	RPC2-12RB-7P(71)	7	Blue	

RP9



HRS No.	Part No.	No. of pin	Colour	RoHS
113-0049-4-71	RP9-7P-4P(71)	4	Black	○

HRS No.	Part No.	No. of pin	Colour
113-0050-3	RP9-7R-4S	4	Black

Remark: Applicable panel thickness: 1.6±0.03mm.

X-ON Electronics

Largest Supplier of Electrical and Electronic Components

Click to view similar products for [Standard Circular Connector](#) category:

Click to view products by [Hirose](#) manufacturer:

Other Similar products are found below :

[C015](#) [10F006](#) [001](#) [1](#) [5M2530B10P](#) [600247N007](#) [600259N006](#) [600273N007](#) [600432N009](#) [6280-2PG-519](#) [6280-3PG-311](#) [6280-3SG-311](#)
[6280-7SG-3DC](#) [6280-7SG-522](#) [6282-5PG-311](#) [6282-6PG-519](#) [6282-8SG-311](#) [6283-11](#) [6283-15](#) [6290](#) [6293](#) [6382-2PG-311](#) [6382-2PG-3DC](#)
[6382-2SG-321](#) [6382-2SG-3DC](#) [6382-4SG-516](#) [67-03E20-37P](#) [681-PMG](#) [CXS3102A14S2P](#) [CXS3102A181S](#) [CXS3106A14S6S](#) [MB12P-1](#)
[MB12R-6](#) [7251-2PG-300](#) [7251-2SG-300](#) [7251-4PG-300](#) [7251-4SG-300](#) [7251-5PG-300](#) [7251-5SG-300](#) [7251-6SG-300](#) [7251-7PG-300](#) [7251-](#)
[8PG-300](#) [7271-6SG-300](#) [7282-3PG-300-CH3](#) [73000005663](#) [75-190011-03P](#) [75-190216-08S](#) [75-190218-10P](#) [75-214636-52P](#) [75-474118-10P](#)
[75-474211-03P](#) [75-474218-19S](#) [75-474618-01S](#)