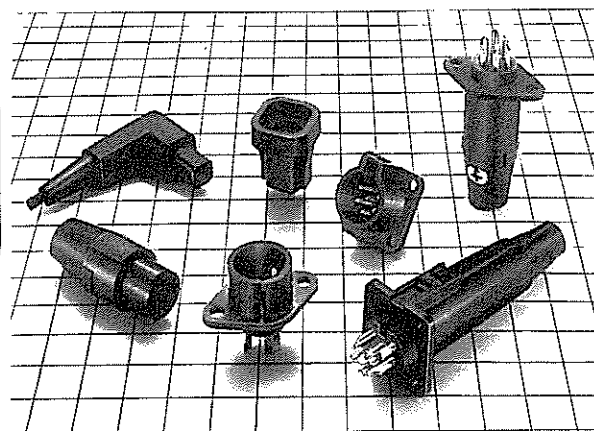


RP SERIES CIRCULAR PLASTIC CONNECTORS

Scope

RP series plastic connectors are developed to meet the demands of low cost and light weight consumer electronic equipment. Its unique one-touch locking mechanism is a push-on system. It offers easy coupling and stable performance.



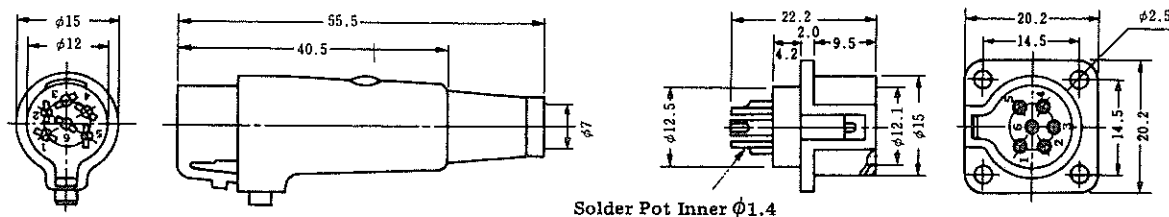
Material and Finish

| Description | Material | Finish |
|-----------------------|--------------------------------------|----------------|
| Molding and Insulator | Polyamide resin and Polyacetal resin | — |
| Male pin | Brass | Silver plating |
| Female pin | Phosphor bronze | Silver plating |

Performance

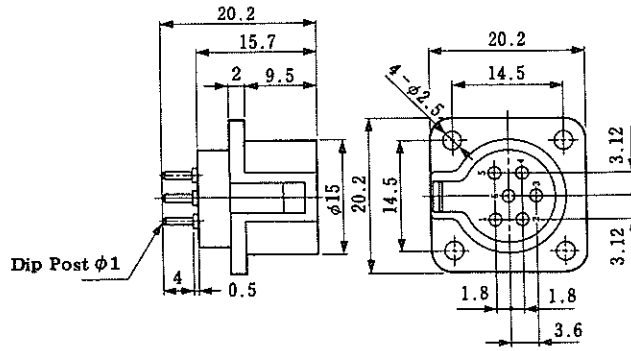
| Description | Test data | |
|-----------------------|--------------------|------------------|
| | RPC1 • RPC2 | RP9 |
| Withstand voltage | AC500V/1 minute | AC300V/1 minute |
| Current capacity | 5A | 1A |
| Insulation resistance | DC500V/1,000MΩ min | DC100V/200MΩ min |
| Contact resistance | 5mΩ max at DC1A | 10mΩ max at DC1A |

RPC1



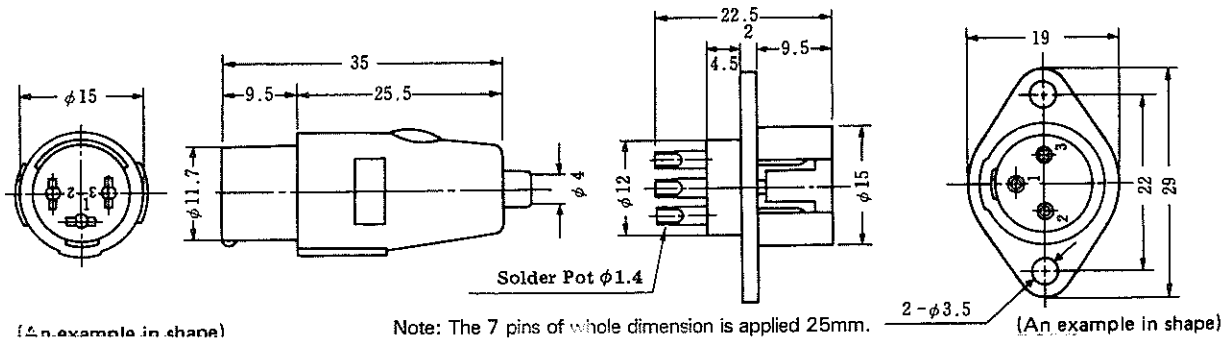
| HRS No. | Part No. | No. of pin | Colour | RoHS |
|---------------|-----------------|------------|--------|------|
| 113-0001-8-71 | RPC1-12P-6S(71) | 6 | Glau | ○ |
| 113-0001-8-73 | RPC1-12P-6S(73) | 6 | Black | |

| HRS No. | Part No. | No. of pin | Colour | RoHS |
|---------------|------------------|------------|--------|------|
| 113-0020-2-71 | RPC1-12RB-6P(71) | 6 | Black | ○ |
| 113-0020-2-72 | RPC1-12RB-6P(72) | 6 | Glau | |



| HRS No. | Part No. | No. of pin | Colour | RoHS |
|---------------|-------------------|------------|--------|------|
| 113-0065-0-71 | RPC1-12RB-6PD(71) | 6 | Black | ○ |

■RPC2



(An example in shape)

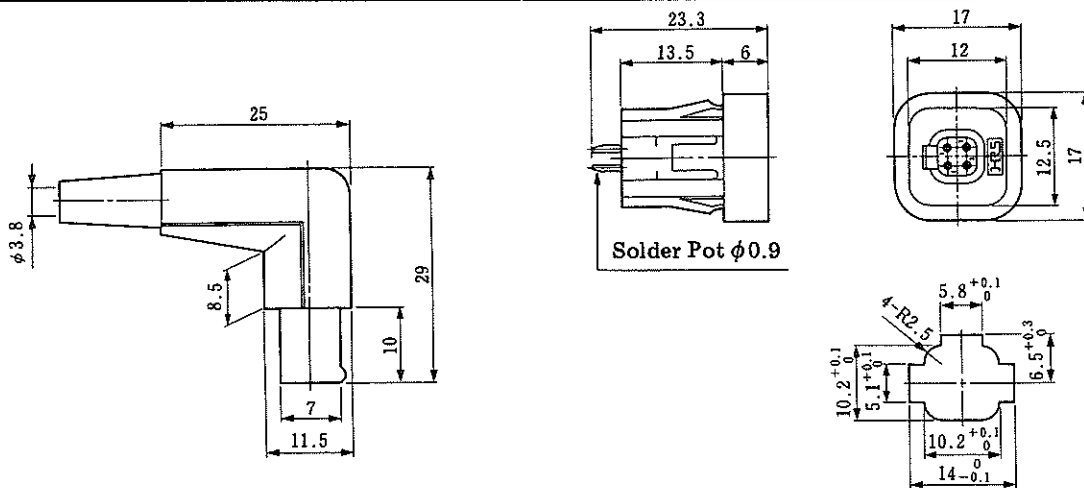
Note: The 7 pins of whole dimension is applied 25mm.

(An example in shape)

| HRS No. | Part No. | No. of pin | Colour | RoHS |
|---------------|-----------------|------------|--------|------|
| 113-0003-3-71 | RPC2-12P-3S(71) | 3 | Blue | ○ |
| 113-0015-2-71 | RPC2-12P-7S(71) | 7 | Blue | |

| HRS No. | Part No. | No. of pin | Colour | RoHS |
|---------------|------------------|------------|--------|------|
| 113-0023-0-71 | RPC2-12RB-3P(71) | 3 | Blue | ○ |
| 113-0024-3-71 | RPC2-12RB-7P(71) | 7 | Blue | |

■RP9



| HRS No. | Part No. | No. of pin | Colour | RoHS |
|---------------|---------------|------------|--------|------|
| 113-0049-4-71 | RP9-7P-4P(71) | 4 | Black | ○ |

| HRS No. | Part No. | No. of pin | Colour |
|------------|-----------|------------|--------|
| 113-0050-3 | RP9-7R-4S | 4 | Black |

Remark: Applicable panel thickness: 1.6±0.03mm.

X-ON Electronics

Largest Supplier of Electrical and Electronic Components

Click to view similar products for [Circular Push Pull Connectors](#) category:

Click to view products by [Hirose](#) manufacturer:

Other Similar products are found below :

[6407-249V-11273P](#) [6408-201V-13273](#) [6408-202V-13343](#) [6408-202V-17343](#) [D38999/20ZG35PN-LC](#) [D38999/20ZJ24SA](#)
[D38999/20ZJ61PA-LC](#) [FAG.2B.319.CYC](#) [FGA.1B.307.CYCD72Z](#) [FLS.01.250.DLAE24](#) [PFG.1B.308.CYZZ](#) [PKG.M0.6BL.LZ](#)
[PLC.M1.0SL.LA](#) [GMA.2B.045.DJ](#) [GMA.3B.090.DA](#) [PRG.M0.6GL.LC52GZ](#) [ABF.1S.250.NTA](#) [1332M107MS](#) [EAJ.1B.306.CWA](#) [1589430-](#)
[2](#) [ELF.00.250.NTL](#) [ERA.01.250.DLL](#) [BRD.0B.200.PCSG](#) [HVP.03.250.CLLPV](#) [CAH.M34.SLL.C72GZ](#) [CAJ.M34.SLL.C72GZ](#) [300500](#)
[EXG.0B.309.HLN](#) [FFB.1S.250.CLAC27](#) [FLC.00.250.CTAC31](#) [FPG.0B.305.CLAD52](#) [PCS.01.250.DLLE31](#) [PKC.M0.7GL.NG](#)
[PKG.M0.4TL.LZ](#) [PXG.M0.8GG.NG](#) [HEG.1B.307.CLNP](#) [BRR.3S.200.PZVG](#) [JDXEP2T19FSN](#) [400374](#) [DTA.99.700.5Z](#) [ECG.00.304.CLL](#)
[ECP.0S.304.CLN](#) [EEG.1B.306.CYZ](#) [MS3117-12BU](#) [EGA.00.303.CLL](#) [SAN.M13.GLA.6G](#) [6408-201V-11343](#) [6408-202V-25273](#)
[PAC.M0.4NL.AC52J](#) [980-0009-471](#)