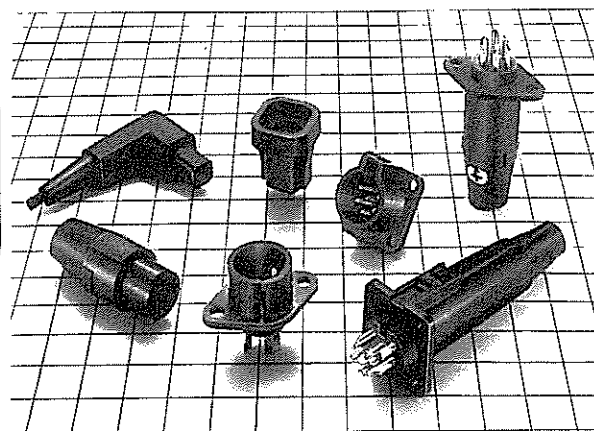


RP SERIES CIRCULAR PLASTIC CONNECTORS

Scope

RP series plastic connectors are developed to meet the demands of low cost and light weight consumer electronic equipment. Its unique one-touch locking mechanism is a push-on system. It offers easy coupling and stable performance.



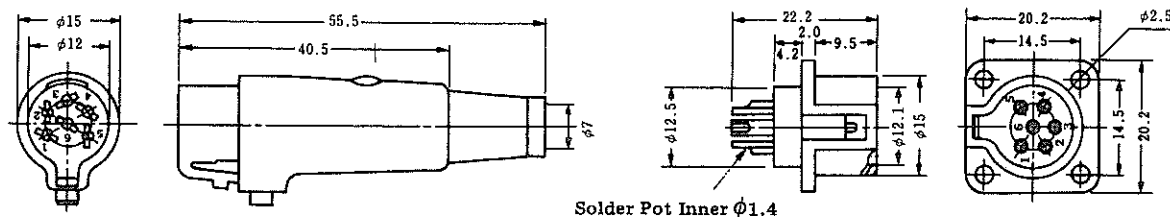
Material and Finish

Description	Material	Finish
Molding and Insulator	Polyamide resin and Polyacetal resin	—
Male pin	Brass	Silver plating
Female pin	Phosphor bronze	Silver plating

Performance

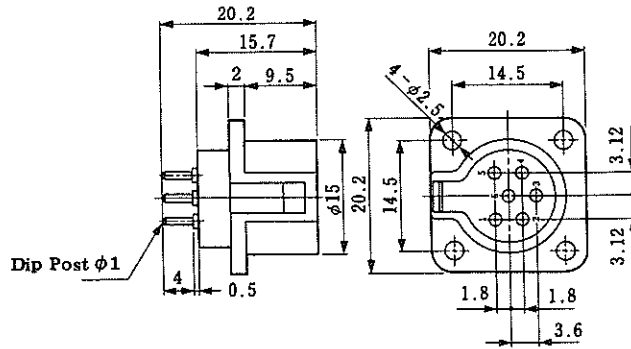
Description	Test data	
	RPC1 • RPC2	RP9
Withstand voltage	AC500V/1 minute	AC300V/1 minute
Current capacity	5A	1A
Insulation resistance	DC500V/1,000MΩ min	DC100V/200MΩ min
Contact resistance	5mΩ max at DC1A	10mΩ max at DC1A

RPC1



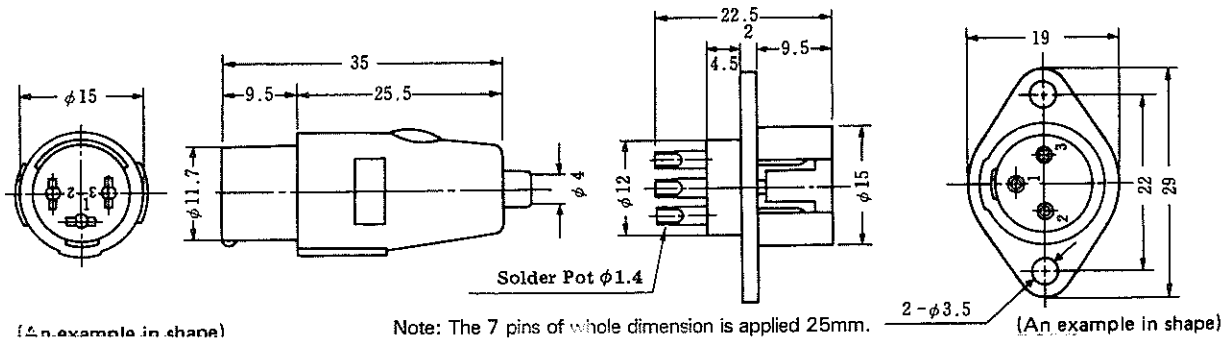
HRS No.	Part No.	No. of pin	Colour	RoHS
113-0001-8-71	RPC1-12P-6S(71)	6	Gray	○
113-0001-8-73	RPC1-12P-6S(73)	6	Black	

HRS No.	Part No.	No. of pin	Colour	RoHS
113-0020-2-71	RPC1-12RB-6P(71)	6	Black	○
113-0020-2-72	RPC1-12RB-6P(72)	6	Gray	



HRS No.	Part No.	No. of pin	Colour	RoHS
113-0065-0-71	RPC1-12RB-6PD(71)	6	Black	○

RPC2



(An example in shape)

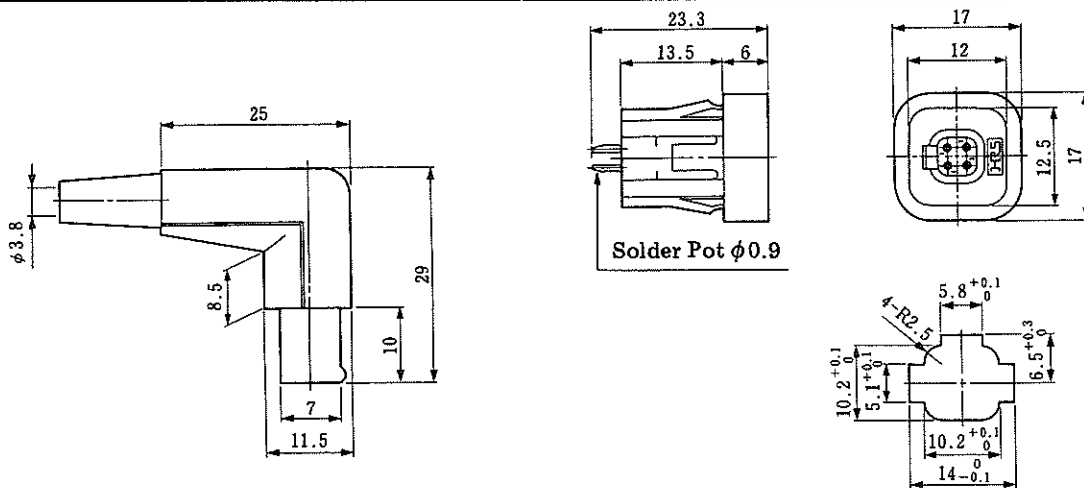
Note: The 7 pins of whole dimension is applied 25mm.

(An example in shape)

HRS No.	Part No.	No. of pin	Colour	RoHS
113-0003-3-71	RPC2-12P-3S(71)	3	Blue	○
113-0015-2-71	RPC2-12P-7S(71)	7	Blue	

HRS No.	Part No.	No. of pin	Colour	RoHS
113-0023-0-71	RPC2-12RB-3P(71)	3	Blue	○
113-0024-3-71	RPC2-12RB-7P(71)	7	Blue	

RP9



HRS No.	Part No.	No. of pin	Colour	RoHS
113-0049-4-71	RP9-7P-4P(71)	4	Black	○

HRS No.	Part No.	No. of pin	Colour
113-0050-3	RP9-7R-4S	4	Black

Remark: Applicable panel thickness: 1.6±0.03mm.

X-ON Electronics

Largest Supplier of Electrical and Electronic Components

Click to view similar products for [Circular Push Pull Connectors](#) category:

Click to view products by [Hirose](#) manufacturer:

Other Similar products are found below :

[6407-249V-11273P](#) [6408-201V-13273](#) [6408-202V-13343](#) [6408-202V-17343](#) [EZG.0B.309.CLN](#) [FFA.2S.310.ZLA](#) [FGA.1B.307.CYCD72Z](#)
[FGJ.1B.304.CLLD76](#) [FGJ.1B.306.CWLD72](#) [FGJ.2B.302.CYMD82Z](#) [FGJ.2B.310.CYMD72Z](#) [FGJ.3B.304.CYMD10Z](#)
[FGJ.3B.304.CYMD82Z](#) [FHJ.2B.310.CLLD72](#) [PCS.01.250.DLLE24](#) [PHG.0K.305.CYMC40Z](#) [PHG.1K.308.CLLK85](#) [PKG.M0.6BL.LZ](#)
[PLC.M1.0SL.LA](#) [GMA.10.290.DN](#) [GMA.3B.090.DA](#) [PRG.M0.6GL.LC52GZ](#) [PSA.1S.275.CTLC66](#) [ABF.1S.250.NTA](#) [133020F](#)
[1331ER193MZ](#) [1332M107MZ](#) [DTS26Z19-32JA-LC](#) [DTS26Z19-32SA](#) [DTS26Z19-32SA-LC](#) [DTS26Z23-55HA](#) [DTS26Z23-55HA-LC](#)
[DTS26Z23-55JA-LC](#) [EAJ.1B.306.CWA](#) [ECG.XB.312.CLL](#) [1589430-2](#) [EEA.0B.305.CLN](#) [EEA.0B.309.CLL](#) [ELF.00.250.NTL](#)
[ERA.01.250.DLL](#) [BRD.0B.200.PCSG](#) [BRR.2S.200.PZVG](#) [HR10A-P](#) [CAH.M34.SLL.C72GZ](#) [CAJ.M34.SLL.C72GZ](#) [300500](#)
[ESB.00.303.NLL](#) [EXG.0B.309.HLN](#) [FFB.1S.250.CLAC27](#) [FFG.1B.306.CLAZ](#)