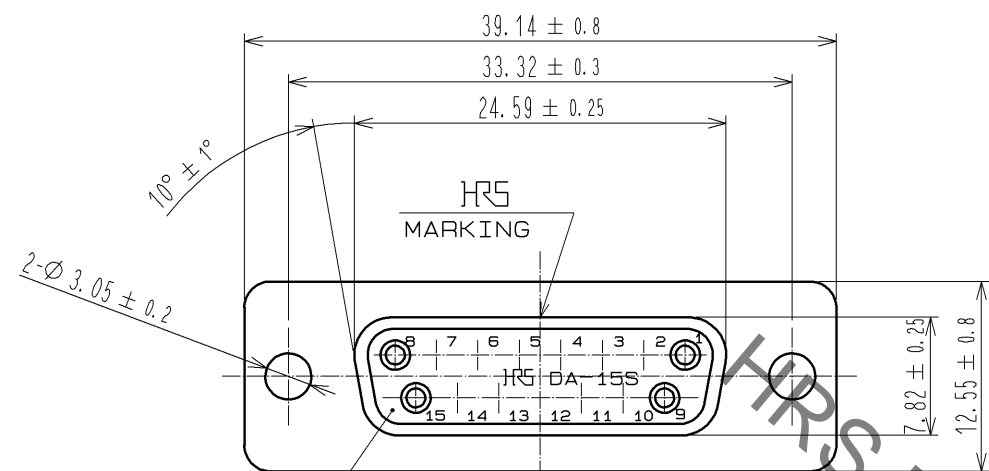
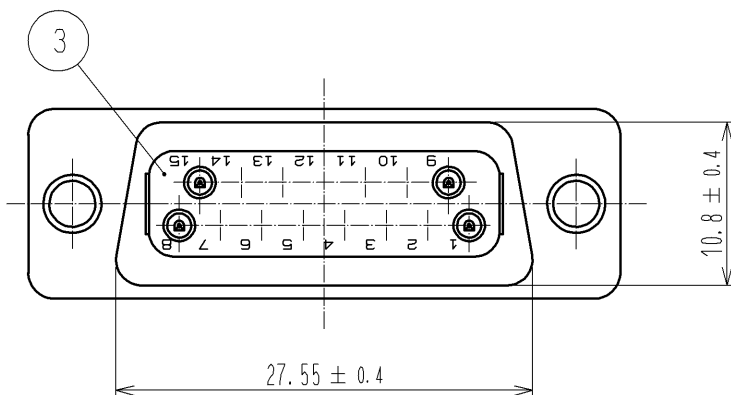
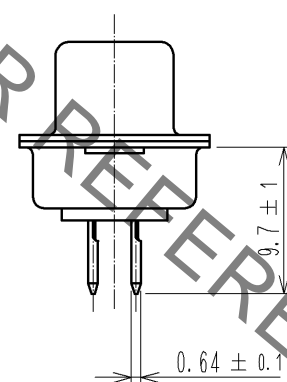
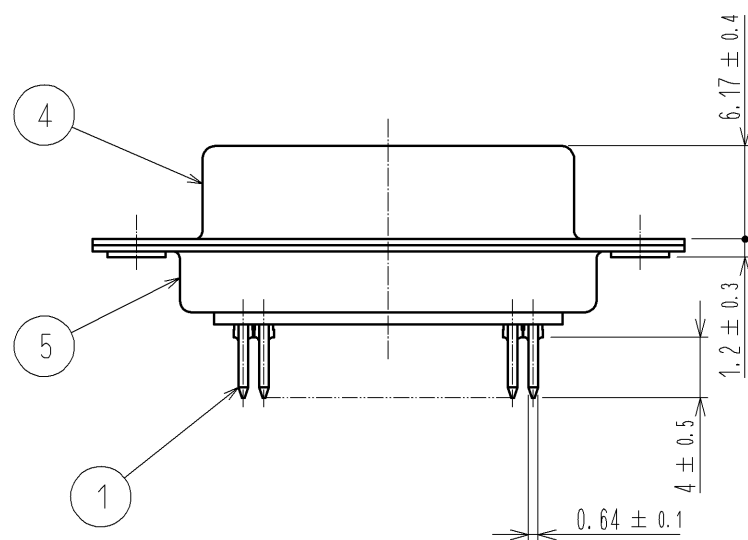
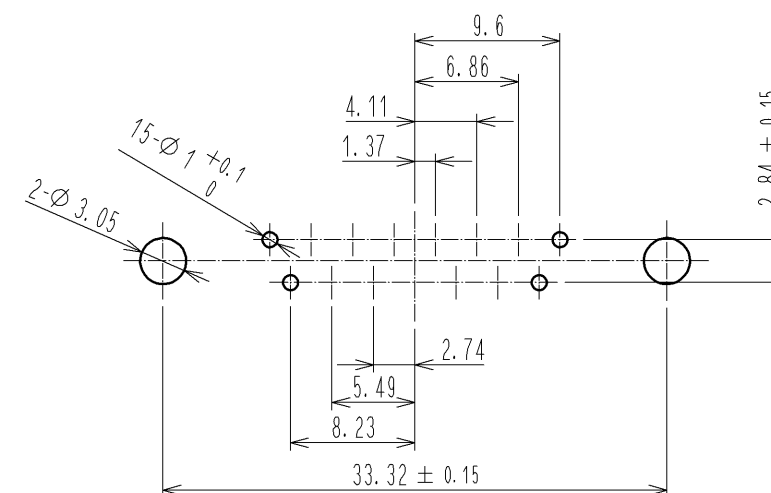


Sep.1.2021 Copyright 2021 HIROSE ELECTRIC CO., LTD. All Rights Reserved.  
 In case of consideration for using Automotive equipment / device which demand high reliability, kindly contact our sales window correspondents.



1 RECOMMENDED PC BOARD PATTERN



NOTE 1 TOLERANCES SHALL BE  $\pm 0.1$  OR LESS UNLESS OTHERWISE SPECIFIED.

2	PBT	BLACK UL94V-0	5	STEEL	OVER-NICKEL $1\mu\text{m}$ MIN. UNDER-COPPER $5\mu\text{m}$ MIN.			
1	PHOSPHOR BRONZE	CONTACT:GOLD $0.2\mu\text{m}$ MIN. LEAD:GOLD $0.03\mu\text{m}$ MIN. UNDER:NICKEL $2\mu\text{m}$ MIN.	4	STEEL	OVER-NICKEL $1\mu\text{m}$ MIN. UNDER-COPPER $5\mu\text{m}$ MIN.			
			3	PBT	BLACK UL94V-0			
NO.	MATERIAL	FINISH . REMARKS	NO.	MATERIAL	FINISH . REMARKS			
UNITS		SCALE	COUNT	DESCRIPTION OF REVISIONS		DESIGNED	CHECKED	DATE
mm		2 : 1						
<b>HRS</b> HIROSE ELECTRIC CO., LTD.		APPROVED : RI. TAKAYASU	13.02.22	DRAWING NO.		EDC3-009837-04		
		CHECKED : EJ. WAKATSUKI	13.02.22	PART NO.		SDAB-15S(55)		
		DESIGNED : MO. SHIMOYAMA	13.02.22	CODE NO.		CL211-0250-8-55		
		DRAWN : MO. SHIMOYAMA	13.02.22					

## X-ON Electronics

Largest Supplier of Electrical and Electronic Components

*Click to view similar products for [D-Sub Standard Connectors](#) category:*

*Click to view products by [Hirose](#) manufacturer:*

Other Similar products are found below :

[56F706-005-LI](#) [56F711-015](#) [LV242999-142T12](#) [015-0341-000](#) [015-0372-005](#) [015-0372-008](#) [015-8755-001](#) [020419-0104](#) [012-0467-000](#)  
[012-9507-034](#) [012-9507-114](#) [020745-0008](#) [609-25P](#) [CT2-18-11PCAU](#) [CT6-10SL-3SC](#) [CT6-10SL-4SC](#) [CT6-14S-2SC](#) [CT6E14SA7SC](#)  
[CT6N10SL-4SSA34](#) [M83513/01-FC](#) [M83723/76W24619 L/C](#) [M85049/48-3-2F](#) [6STD09PCM99B70X](#) [6STD09SCM99B30X](#)  
[6STD09SCT99S40X](#) [6STD15PCT99S40X](#) [6STD15SCT99S40X](#) [6STF09PCM05B70X](#) [7-135760-9](#) [MC11E-10-6SN](#) [747552-3](#) [MD1-21PS](#)  
[MDM-15SCBRM7-F222](#) [MDM96517-699](#) [MDM96521-744](#) [MDVB1-21SL1](#) [MIK0-1-7SH003](#) [MIKQ6-7SH076](#) [MIKQ7-7PH077](#) [MIKQ7-](#)  
[7PH11](#) [MIKQ7-7PH32](#) [MJSV-28SL61](#) [MKJ4A1F14-55S](#) [8-135760-3](#) [8STD09PCM99B30X](#) [PG-KV/PV-16-GROM-SEALING](#) [GDA15P](#)  
[GDAY15PB](#) [980-0000-170](#) [980-0000-171](#)