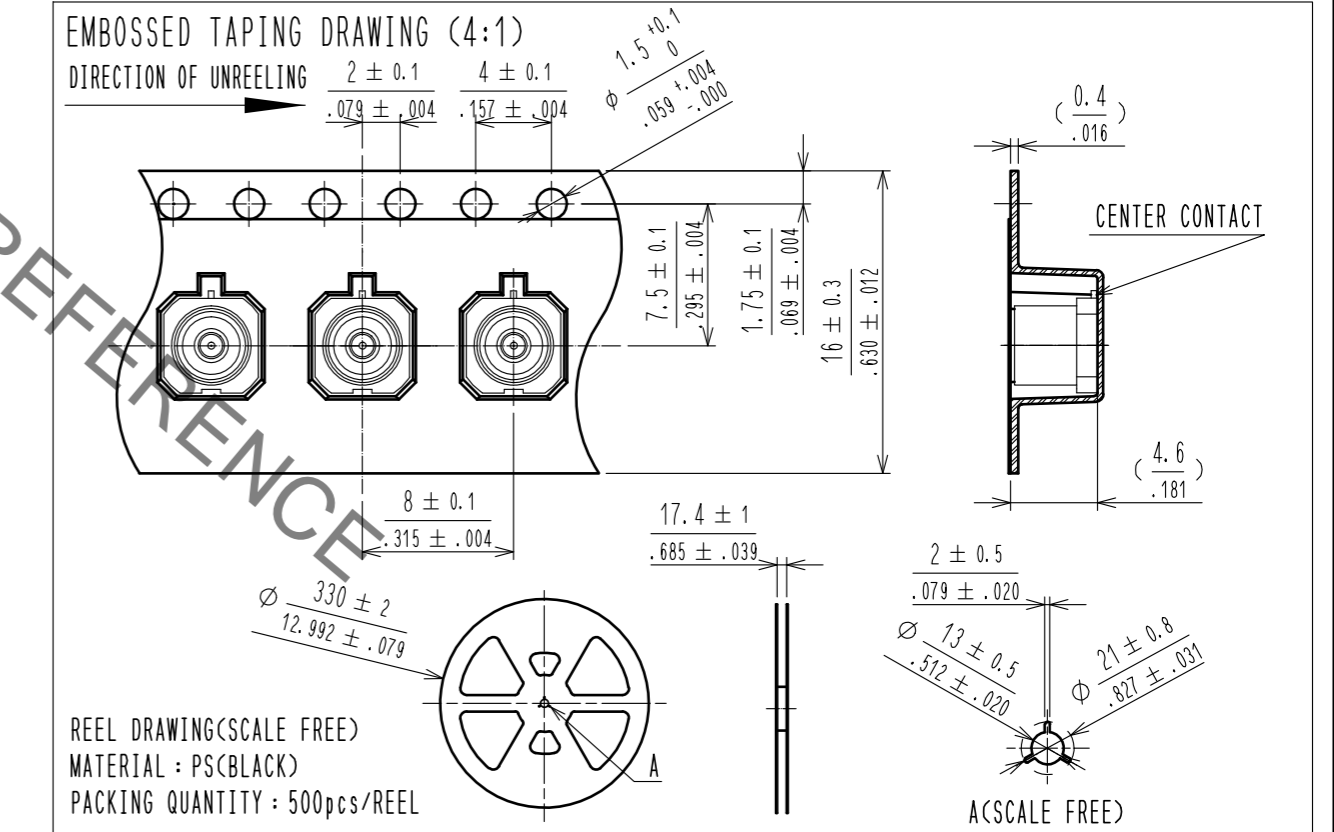
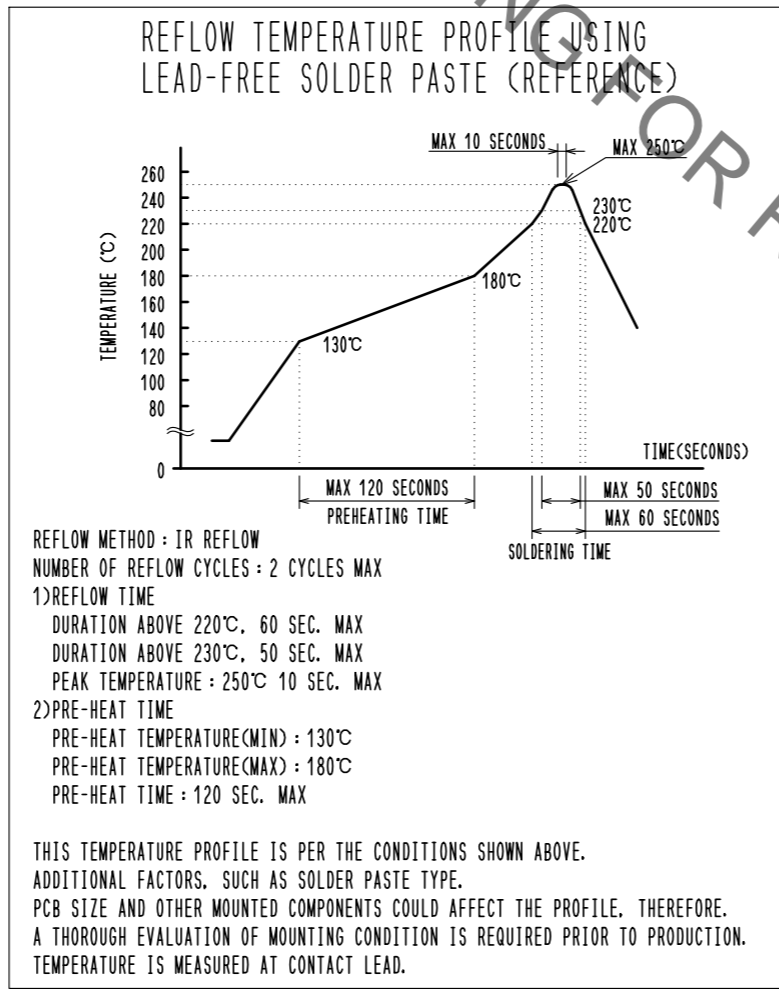
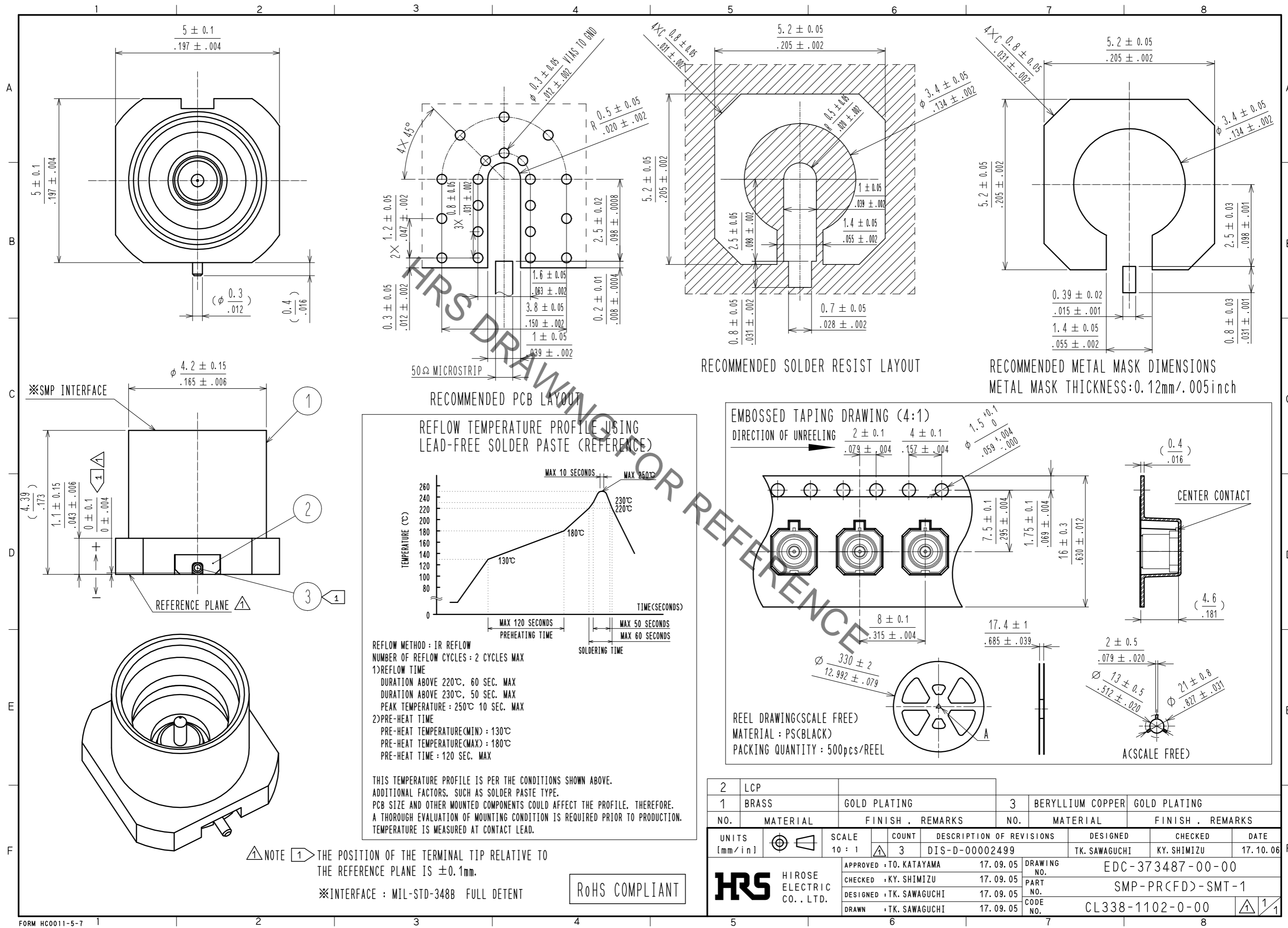


Aug.1.2021 Copyright 2021 HIROSE ELECTRIC CO., LTD. All Rights Reserved.
In case of consideration for using Automotive equipment / device which demand high reliability, kindly contact our sales window correspondents.



| 2 | LCP | | 3 | BERYLLIUM COPPER | GOLD PLATING | | |
|-----------------------------------|----------|--------------|---------|--------------------------------|--------------|--------------------------|----------------|
| 1 | BRASS | GOLD PLATING | | | | | |
| NO. | MATERIAL | FINISH | REMARKS | NO. | MATERIAL | FINISH | REMARKS |
| UNITS | [mm/in] | SCALE | 10 : 1 | COUNT | 3 | DESCRIPTION OF REVISIONS | DIS-D-00002499 |
| APPROVED : TO. KATAYAMA 17.09.05 | | | | DESIGNED : TK. SAWAGUCHI | | | |
| CHECKED : KY. SHIMIZU 17.09.05 | | | | CHECKED : KY. SHIMIZU 17.09.05 | | | |
| DESIGNED : TK. SAWAGUCHI 17.09.05 | | | | DRAWING NO. EDC-373487-00-00 | | | |
| DRAWN : TK. SAWAGUCHI 17.09.05 | | | | PART NO. SMP-PR(FD)-SMT-1 | | | |
| | | | | CODE NO. CL338-1102-0-00 | | | |

NOTE 1 THE POSITION OF THE TERMINAL TIP RELATIVE TO THE REFERENCE PLANE IS ±0.1mm.

INTERFACE : MIL-STD-348B FULL DETENT

ROHS COMPLIANT

X-ON Electronics

Largest Supplier of Electrical and Electronic Components

Click to view similar products for [RF Connectors / Coaxial Connectors](#) category:

Click to view products by [Hirose](#) manufacturer:

Other Similar products are found below :

[8915-1511-000](#) [89674-0827](#) [6001-7071-019](#) [6002-7051-003](#) [6002-7551-202](#) [6059674-1](#) [619550-1](#) [630059-000](#) [M39030/3-01N](#) [6500-7071-046](#) [6769](#) [CX050L2AQ](#) [7002-1542-011](#) [7004-1512-000](#) [7009-1511-004](#) [7010-1511-000](#) [7029-1511-060](#) [7101-1541-010](#) [7101-1571-002](#) [7105-1521-002](#) [7145-1521-002](#) [7203-1571-003](#) [7209-1511-011](#) [7210-1511-015](#) [7210-1511-019](#) [73137-5015](#) [73216-2241](#) [7325-1512-000](#) [73404-2300](#) [7405-1521-005](#) [7405-1521-802](#) [7406-1521-005](#) [8527](#) [8547](#) [FS11V](#) [8808-1511-001](#) [9049-9513-000](#) [9074-9513-000](#) [9101-9573-002](#) [910A205F](#) [9130-9573-002](#) [PL11SC-026](#) [PL375-33](#) [PL40-5](#) [PL71-9](#) [PL74C-221](#) [PL75MC-217](#) [PL803-7](#) [980-8666-005](#) [1200690078](#)