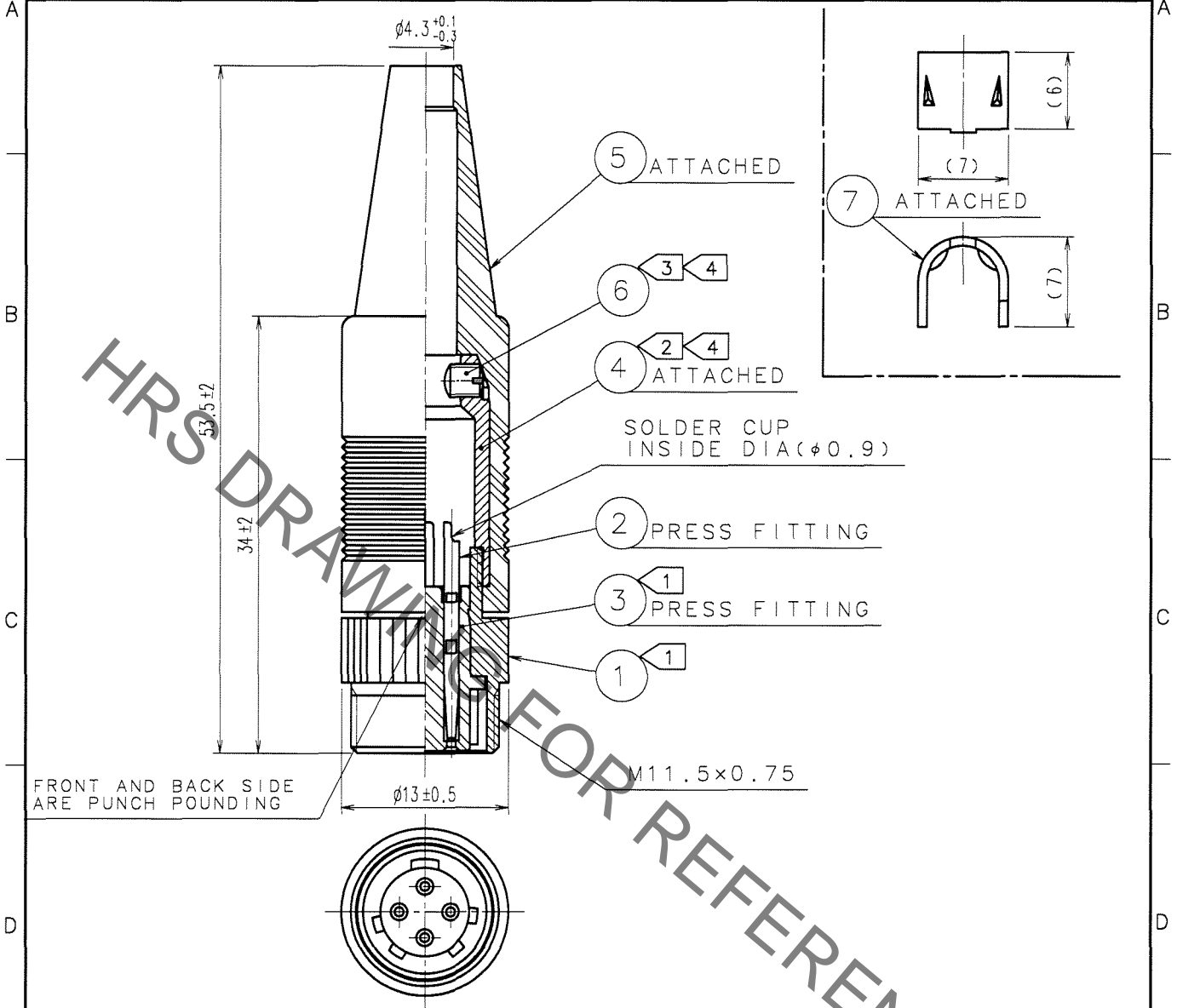


Sep.1.2021 Copyright 2021 HIROSE ELECTRIC CO., LTD. All Rights Reserved. In case of consideration for using Automotive equipment / device which demand high reliability, kindly contact our sales window correspondents.

1		2		3		4			
COUNT	DESCRIPTION OF REVISIONS	BY	CHKD	DATE	COUNT	DESCRIPTION OF REVISIONS	BY	CHKD	DATE
1	DIS-C-000514	T.K	E.K	07.02.17					



NOTE: ① ROTATION TORQUE RESISTANCE OF REF.NO.① AND NO.③
 : 0.7N·m MIN
 ② THE RECOMMENDED CLAMP TORQUE OF REF.NO.④: 1.5N·m
 ③ THE RECOMMENDED CLAMP TORQUE OF REF.NO.⑥: 0.1~0.15N·m
 ④ LOCTITE 242, LOCTITE OR EQUIVALENT IS RECOMMENDED TO PREVENT REF.NO.④ AND NO.⑥ FROM LOOSENING.
 5 ROTATION EXAMPLES OF REF.NO.① AND NO.④ ARE SHOWN.

4	BRASS	NICKEL PLATING			
3	POLYACETAL	(WHITE)	7	BRASS	
2	COPPER ALLOY	SURFACE PLATING: GOLD PLATING 0.2 μ m min. UNDER PLATING: NICKEL PLATING 3 μ m min.	6	STEEL	NICKEL PLATING M2.6x0.45x3
1	BRASS	CHROME PLATING	5	CR	(BLACK)
NO.	MATERIAL	FINISH, REMARKS	NO.	MATERIAL	FINISH, REMARKS

CODE NO. (OLD)	DRAWN	DESIGNED	CHECKED	APPROVED	RELEASED
	E.YUMINO	E.YUMINO	H.ZENBA	M.SATO	
	05.09.03	05.09.03	05.09.09	05.09.12	

 SCALE 2 : 1 UNITS mm	DRAWING NO. EDC4-008300-71	PART NO. SR30-10JE-4S(71)
	 HIROSE ELECTRIC CO., LTD.	CODE NO. CL103-0301-4-71

X-ON Electronics

Largest Supplier of Electrical and Electronic Components

Click to view similar products for [Standard Circular Connector](#) category:

Click to view products by [Hirose](#) manufacturer:

Other Similar products are found below :

[5M2530B10P](#) [600259N006](#) [600273N007](#) [6134-336-13149](#) [6134-337-11149](#) [6134-337-2390](#) [6134-341-17149](#) [6280-4SG-516](#) [6280-7SG-3DC](#)
[6290](#) [6291A](#) [66200A-10](#) [680-SMG](#) [681-PMG](#) [CXS3102A14S2P](#) [CXS3102A181S](#) [7251-6SG-300](#) [7271-6SG-300](#) [7282-3PG-300-CH3](#) [75-](#)
[474014-05S](#) [75-474618-01S](#) [75-474618-04S](#) [799539-000](#) [MI8-SE](#) [805-005-07NF11-19PC](#) [805-005-07NF15-7PA](#) [8280-4PG-516](#) [8280-7PG-](#)
[519](#) [8282-5PG-519](#) [836783-1](#) [MP-4102-25P-C](#) [862256-1](#) [864019-2](#) [866857-1](#) [867865-1](#) [PT01SP-14-18P](#) [PT08P-14-5S](#) [PTSF06SE-14-12S](#)
[120-1833-000](#) [QCM019PC2DC012B](#) [1-2069279-1](#) [121583-0217](#) [121667-0020](#) [129591AU](#) [1000B BULK](#) [RD10A16-19-P6CS051/1](#)
[RD10A20-31-P8CS051/1](#) [RD16A14-12-S6CS051/2](#) [1301240290](#) [1301240347](#) [1301860202](#)