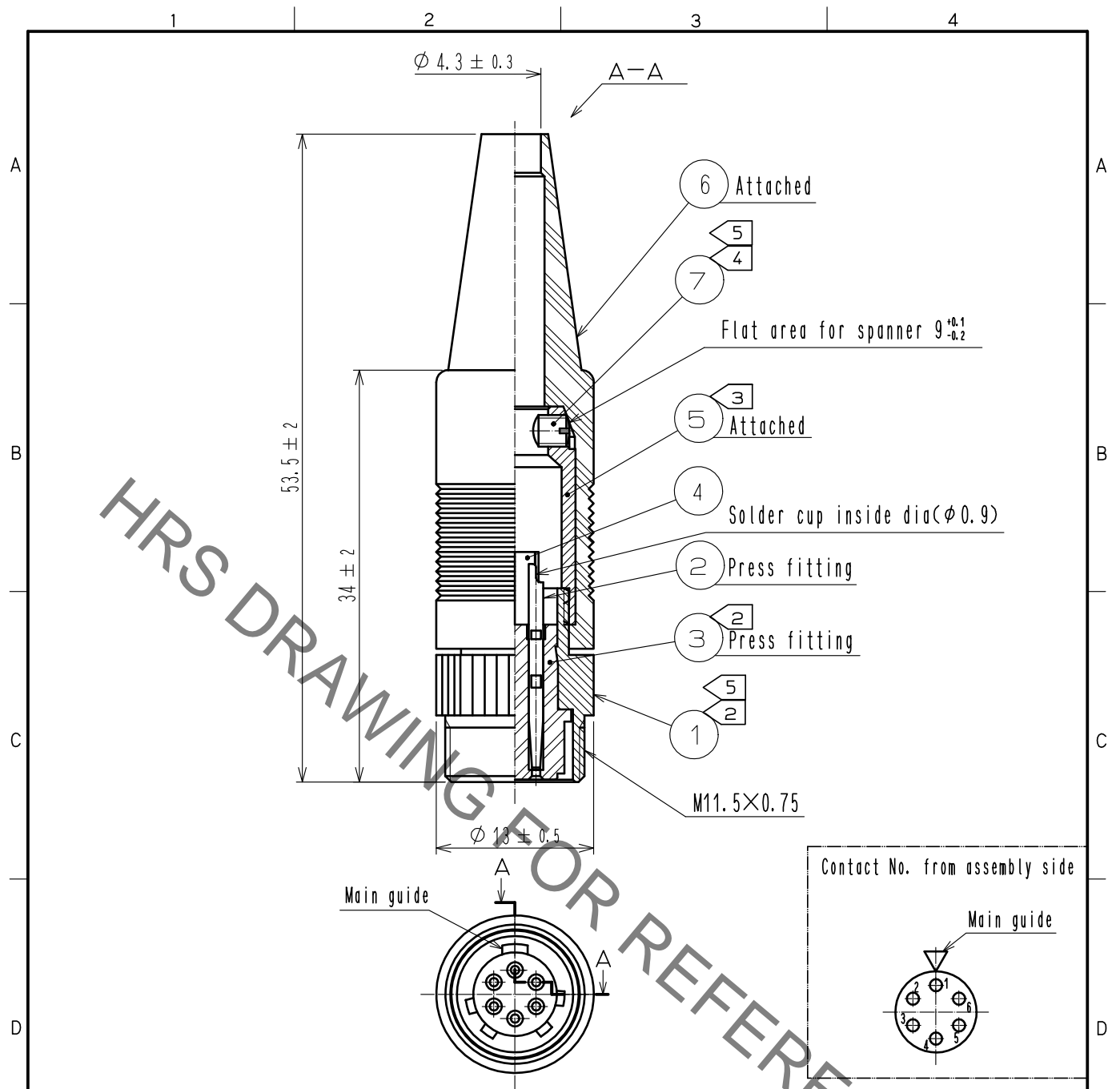


Sep. 1. 2021 Copyright 2021 HIROSE ELECTRIC CO., LTD. All Rights Reserved.  
In case of consideration for using Automotive equipment / device which demand high reliability, kindly contact our sales window correspondents.



- Notes:
- 1 Applicable crimping: SR30-PCCL103-0266-5-00, separately.
  - 2 Rotation torque resistance of ref. NO. ① and No. ③ are approx. 0.7 N·m.
  - 3 The recommended clamp torque of ref. No. ⑤: 1.5 N·m.
  - 4 The recommended clamp torque of ref. No. ⑦: 0.1 to 0.15 N·m.
  - 5 LOCTITE 243, HENKEL JAPAN or equivalent is recommended to prevent ref. No. ① and No. ⑦ from loosening.
  - 6 Rotation examples of ref. No. ① and No. ⑤ are shown.
  - 7 The cable pull and twisting strength and other characteristics may differ, depending on the cable structure. Please confirm before the use.

4	Polytetrafluoroethylene	(White)			
3	Polyacetal	(White)	7	Steel	Nickel plating JIS B 1117 M2.6×0.45×3
2	Phosphor bronze	Surface: Gold plating 0.2μm min. Under: Nickel plating 3μm min.	6	Chloroprene rubber	(Black)
1	Brass	Chrome plating	5	Brass	Nickel plating
NO.	MATERIAL	FINISH . REMARKS	NO.	MATERIAL	FINISH . REMARKS

UNITS mm	SCALE 2 : 1	COUNT	DESCRIPTION OF REVISIONS	DESIGNED	CHECKED	DATE
<b>HRS</b> HIROSE ELECTRIC CO., LTD.			APPROVED : SU. OBARA 16.03.25 CHECKED : HY. KOBAYASHI 16.03.25 DESIGNED : DS. MATSUNE 16.03.25 DRAWN : DS. MATSUNE 16.03.25	DRAWING NO. EDC-005968-72-00 PART NO. SR30-10JE-6S(72) CODE NO. CL103-0259-0-72	1/1	

## X-ON Electronics

Largest Supplier of Electrical and Electronic Components

*Click to view similar products for [Standard Circular Connector](#) category:*

*Click to view products by [Hirose](#) manufacturer:*

Other Similar products are found below :

[5M2530B10P](#) [600259N006](#) [600273N007](#) [6134-336-13149](#) [6134-337-11149](#) [6134-337-2390](#) [6134-341-17149](#) [6280-4SG-516](#) [6280-7SG-3DC](#)  
[6290](#) [6291A](#) [66200A-10](#) [680-SMG](#) [681-PMG](#) [CXS3102A14S2P](#) [CXS3102A181S](#) [7251-6SG-300](#) [7271-6SG-300](#) [7282-3PG-300-CH3](#) [75-](#)  
[474014-05S](#) [75-474618-01S](#) [75-474618-04P](#) [75-474618-04S](#) [799539-000](#) [MI8-SE](#) [805-005-07NF11-19PC](#) [805-005-07NF15-7PA](#) [8280-4PG-](#)  
[516](#) [8280-7PG-519](#) [8282-5PG-519](#) [836783-1](#) [MP-4102-25P-C](#) [862256-1](#) [864019-2](#) [866857-1](#) [867865-1](#) [PT01SP-14-18P](#) [PT08P-14-5S](#)  
[PTSF06SE-14-12S](#) [120-1833-000](#) [QCM019PC2DC012B](#) [1-2069279-1](#) [121583-0217](#) [121667-0020](#) [129591AU](#) [1000B BULK](#) [RD10A16-19-](#)  
[P6CS051/1](#) [RD10A20-31-P8CS051/1](#) [RD16A14-12-S6CS051/2](#) [1301240290](#) [1301240347](#)