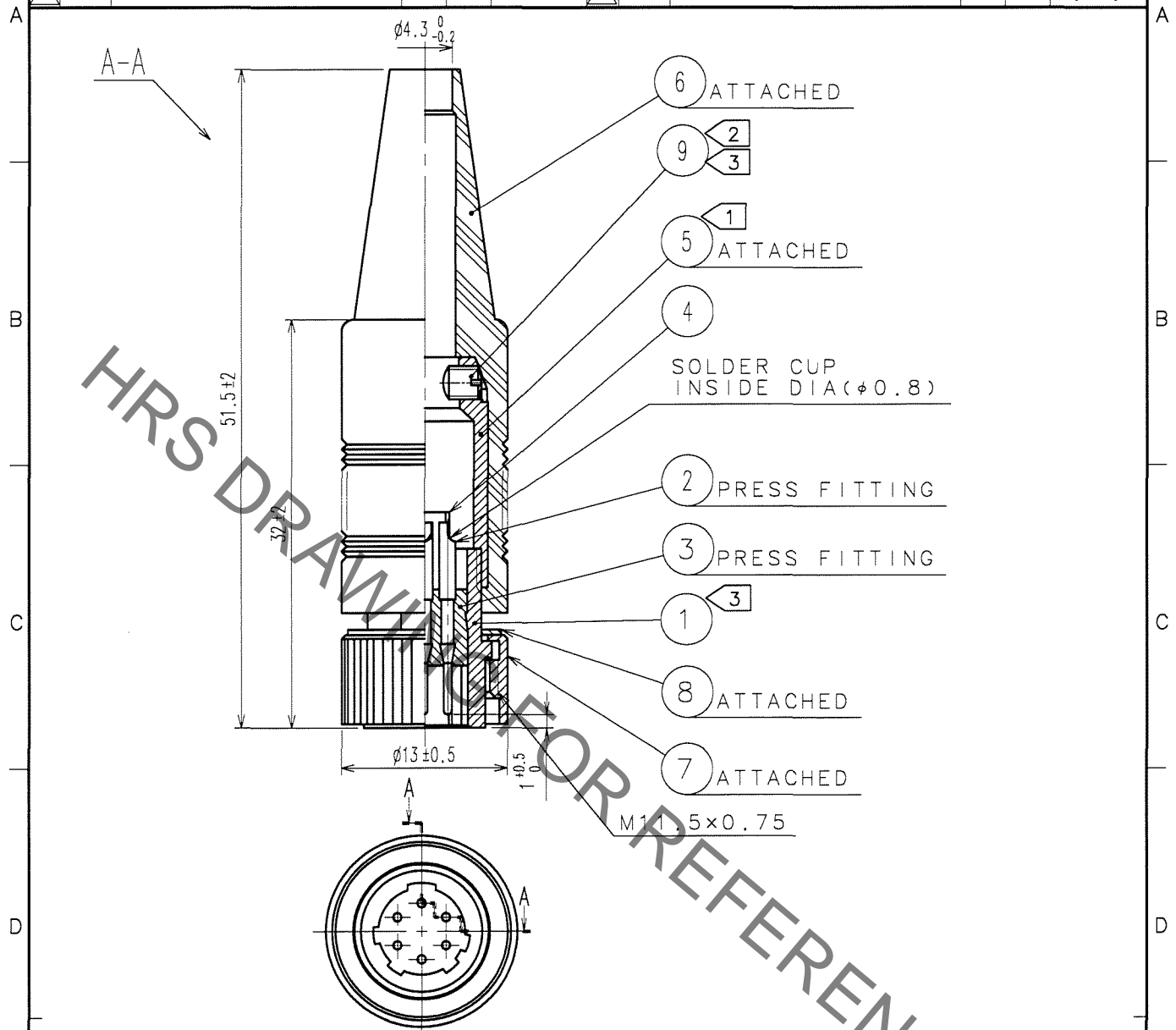


Sep.1.2021 Copyright 2021 HIROSE ELECTRIC CO., LTD. All Rights Reserved. In case of consideration for using Automotive equipment / device which demand high reliability, kindly contact our sales window correspondents.

COUNT	DESCRIPTION OF REVISIONS	BY	CHKD	DATE	COUNT	DESCRIPTION OF REVISIONS	BY	CHKD	DATE
1	DIS-C-000514	T.K	E.K	07.02.17					



- ① THE RECOMMENDED CLAMP TORQUE OF REF.NO. ⑤ : 1.5N · m
- ② THE RECOMMENDED CLAMP TORQUE OF REF.NO. ⑨ : 0.1~0.15N · m.
- ③ LOCTITE 242, LOCTITE OR EQUIVALENT IS RECOMMENDED TO PREVENT REF ① AND ⑨ FROM LOOSENING.
- ④ ROTATION EXAMPLES OF REF NO. ① AND NO. ⑤ ARE SHOWN.

5	BRASS	NICKEL PLATING			
4	POLYTETRAFLUOROETHYLENE		9	STEEL	NICKEL PLATING JIS B 1117 M2.6×0.45×3 SLOTTED SET SCREWS
3	POLYACSTAL		8	BRASS	CHROME PLATING
2	BRASS	SURFACE PLATING: GOLD PLATING 0.2μ m min. UNDER PLATING: NICKEL PLATING 3μ m min.	7	BRASS	CHROME PLATING
1	ZINC ALLOY	NICKEL PLATING	6	CHLOROPRENE RUBBER (BLACK)	
NO.	MATERIAL	FINISH, REMARKS	NO.	MATERIAL	FINISH, REMARKS

CODE NO. (OLD)	CL	DRAWN	DESIGNED	CHECKED	APPROVED	RELEASED
		T.KOMATSU	T.KOMATSU		M.SATO	
		06.07.19	06.07.19		06.07.19	

 SCALE 2 : 1 UNITS mm	DRAWING NO.	PART NO.
	EDC4-005938-74	SR30-10PE-6P(74)
 HIROSE ELECTRIC CO.,LTD.	CODE NO.	
	CL103-0258-7-74	1/1

X-ON Electronics

Largest Supplier of Electrical and Electronic Components

Click to view similar products for [Standard Circular Connector](#) category:

Click to view products by [Hirose](#) manufacturer:

Other Similar products are found below :

[5M2530B10P](#) [600259N006](#) [600273N007](#) [6134-336-13149](#) [6134-337-11149](#) [6134-337-2390](#) [6134-341-17149](#) [6280-4SG-516](#) [6280-7SG-3DC](#)
[6290](#) [6291A](#) [66200A-10](#) [680-SMG](#) [681-PMG](#) [CXS3102A14S2P](#) [CXS3102A181S](#) [7251-6SG-300](#) [7271-6SG-300](#) [7282-3PG-300-CH3](#) [75-](#)
[474014-05S](#) [75-474618-01S](#) [75-474618-04S](#) [799539-000](#) [MI8-SE](#) [805-005-07NF11-19PC](#) [805-005-07NF15-7PA](#) [8280-4PG-516](#) [8280-7PG-](#)
[519](#) [8282-5PG-519](#) [836783-1](#) [MP-4102-25P-C](#) [862256-1](#) [864019-2](#) [866857-1](#) [867865-1](#) [PT01SP-14-18P](#) [PT08P-14-5S](#) [PTSF06SE-14-12S](#)
[120-1833-000](#) [QCM019PC2DC012B](#) [1-2069279-1](#) [121583-0217](#) [121667-0020](#) [129591AU](#) [1000B BULK](#) [RD10A16-19-P6CS051/1](#)
[RD10A20-31-P8CS051/1](#) [RD16A14-12-S6CS051/2](#) [1301240290](#) [1301240347](#) [1301860202](#)