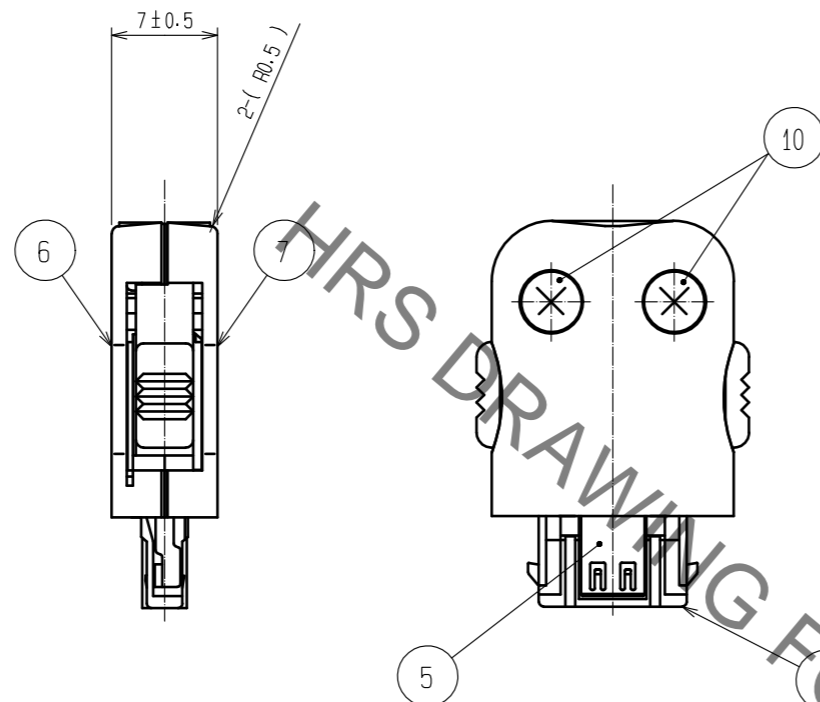
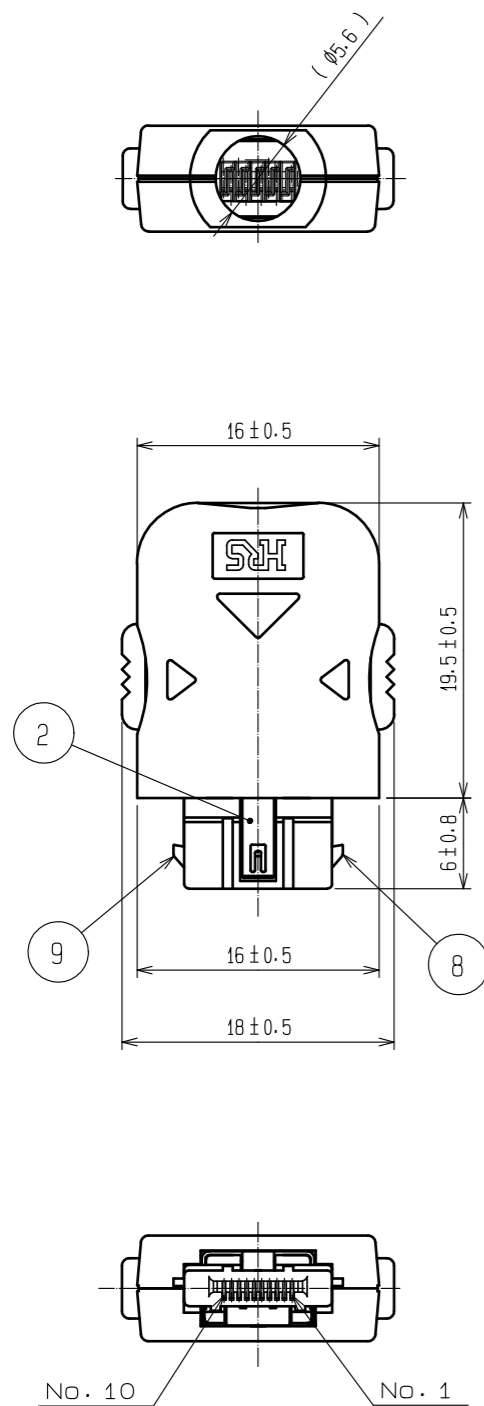
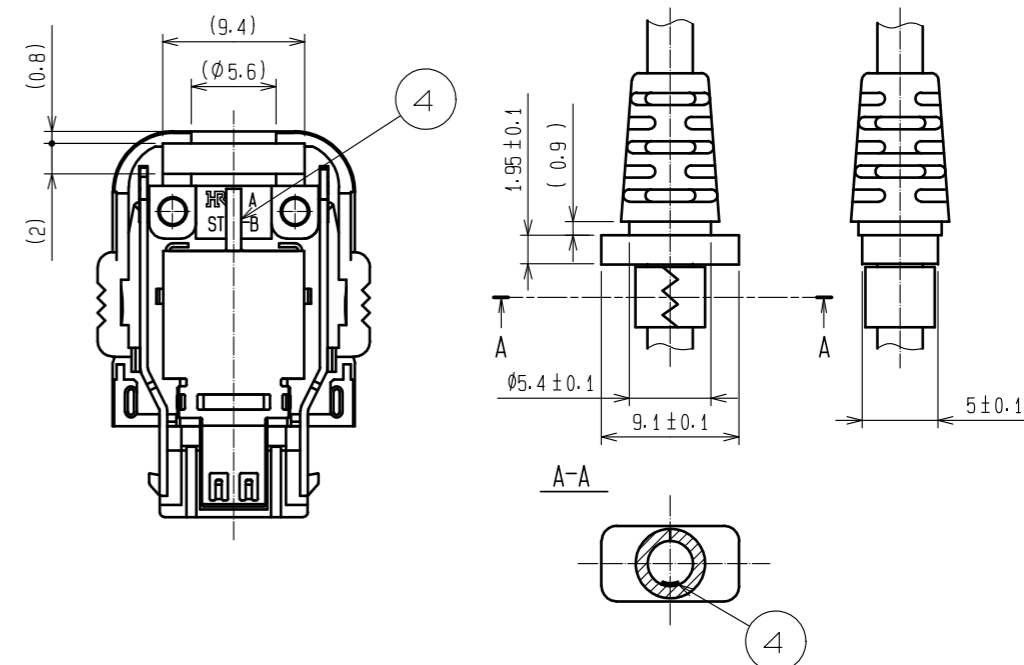


Sep.1.2021 Copyright 2021 HIROSE ELECTRIC CO., LTD. All Rights Reserved.
In case of consideration for using Automotive equipment / device which demand high reliability, kindly contact our sales window correspondents.

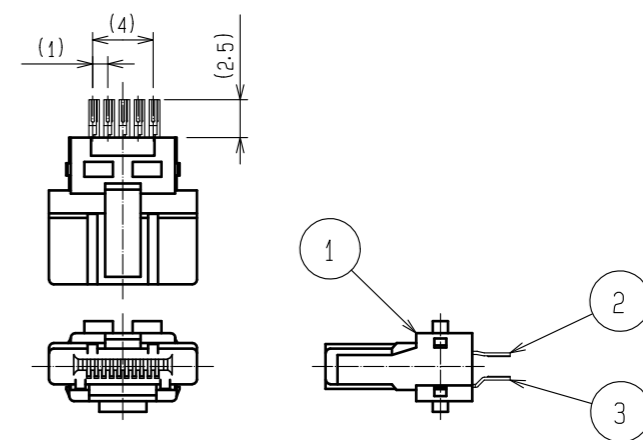


➤ BUSHING ASSEMBLY DIMENSIONS FOR REFERENCE



CABLE SHIELD IS CONNECTED BY CAULKING OF THE CLAMP METAL (COMMERCIAL ITEM) FITTING WITH CONNECTOR SHIELD REF ④.

CONNECTOR UNIT



NOTE 1 LESS THAN $\phi 4$ mm IS PRESUMED CABLE SIZE.
 ➤ CABLE SHALL BE OVERMOLDED WITH BUSHING TO FIX. USE NON-MIGRATION RESIN FOR OVERMOLDING.
 ➤ <PLATING>
 CONTACT AREA: GOLD PLATED 0.2 μ m MIN.
 LEAD AREA: GOLD PLATED FLASH.
 UNDER PLATING: NICKEL PLATED 2 μ m MIN.
 THE PRODUCT IS DELIVERED IN FOLLOWING CONDITIONS:
 UNIT WITH REF ① ASSEMBLED TO REF ② AND ③, COVER WITH REF ⑥ ASSEMBLED TO REF ⑧ AND ⑨, AND REF ④, ⑤, ⑦, ⑩ DISASSEMBLED.

5	STAINLESS STEEL		10	STEEL	BLACK CHROMATE Cr3. (TAPPING SCREW)
4	STAINLESS STEEL		9	STAINLESS STEEL	
3	COPPER ALLOY	➤ 3	8	STAINLESS STEEL	
2	COPPER ALLOY	➤ 3	7	ABS OR PC	(BLACK)UL
1	PA	(BLACK)UL94V-0	6	ABS OR PC	(BLACK)UL
NO.	MATERIAL	FINISH . REMARKS	NO.	MATERIAL	FINISH . REMARKS
UNITS mm			SCALE 2 : 1	COUNT 	DESCRIPTION OF REVISIONS
HRS HIROSE ELECTRIC CO., LTD.		APPROVED : NM. NISHIMATSU 15.10.27	DESIGNED		DESIGNED
		CHECKED : KN. ICHIKAWA 15.10.27	CHECKED		CHECKED
		DESIGNED : TS. ITO 15.10.27	DATE		DATE
		DRAWN : AK. AKIYAMA 15.10.27	DRAWING NO.		EDC-124682-30-00
			PART NO.		ST40X-10S-CV(30)
			CODE NO.		CL241-0041-0-30
					1/1

X-ON Electronics

Largest Supplier of Electrical and Electronic Components

Click to view similar products for [I/O Connectors](#) category:

Click to view products by [Hirose](#) manufacturer:

Other Similar products are found below :

[571763P](#) [58098-0628](#) [72.250.1628.2](#) [72.250.2428.2](#) [74720-0505](#) [76.350.0729.0](#) [76871-1403](#) [FCN-244F080-G/1](#) [FCN-260A9920](#) [PCR-E36PM](#) [PCS-XE26MA+](#) [G38A71314B](#) [1571250010](#) [157-22500-3](#) [MS3471L14-19P L/C](#) [192991-0703](#) [172501-4002](#) [172501-6002](#) [FCN-260C008-A/L0](#) [FCN-260C024-AL0](#) [FCN-261Z008](#) [2000314-1](#) [200331-1](#) [PCR-E36FC+](#) [PCS-E28FS+](#) [PCS-XE26SLFD+](#) [PCS-XE26SLFDT+](#) [G730VID08BDC24](#) [U90B2054081210](#) [UE86K842720321](#) [38113800006](#) [DP3AR020WQ1R200](#) [Z4.102.0680.0](#) [500-1040](#) [500-1052](#) [500-1054](#) [ZP-4008-66L](#) [0709821002](#) [DX40-20P\(55\)](#) [5554841-1](#) [MS3474W18-8P-LC*](#) [SM3106F14S-7S-LC](#) [U90B3054061110](#) [U65-E04-4020](#) [ZPF000000000097891](#) [557-262M2-06C](#) [747360449](#) [10099439-003C-TRLF](#) [10137239-0021LF](#) [E9320-001-01](#)