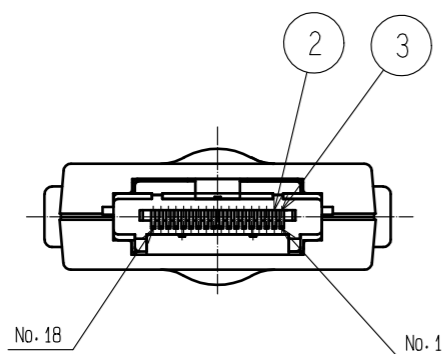
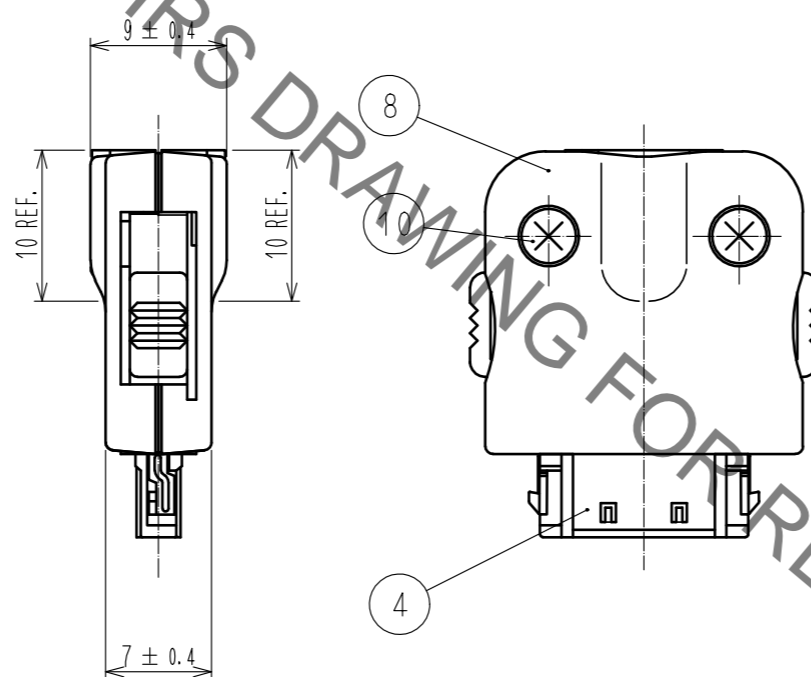
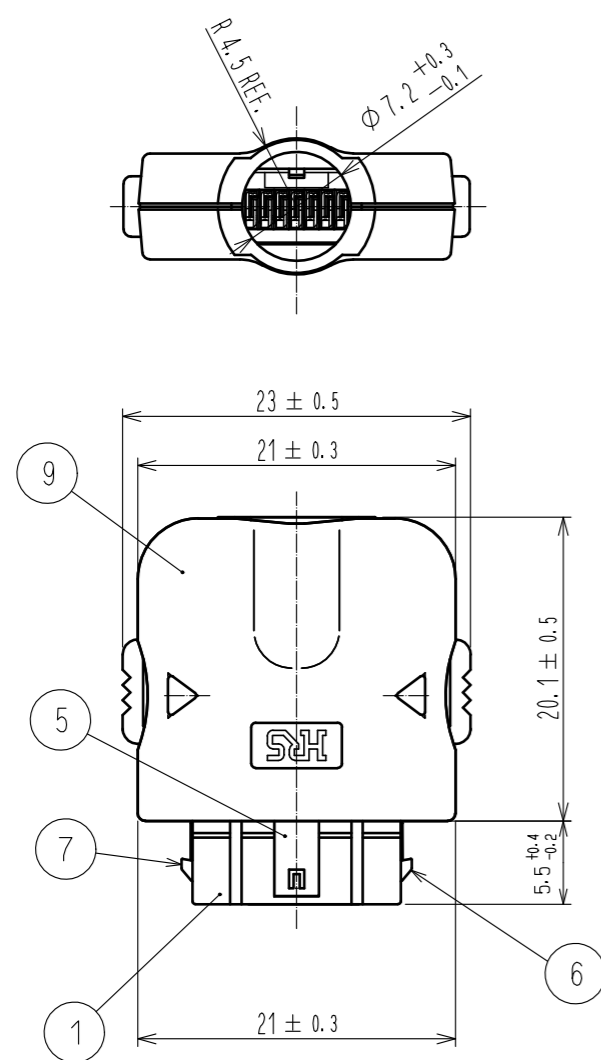
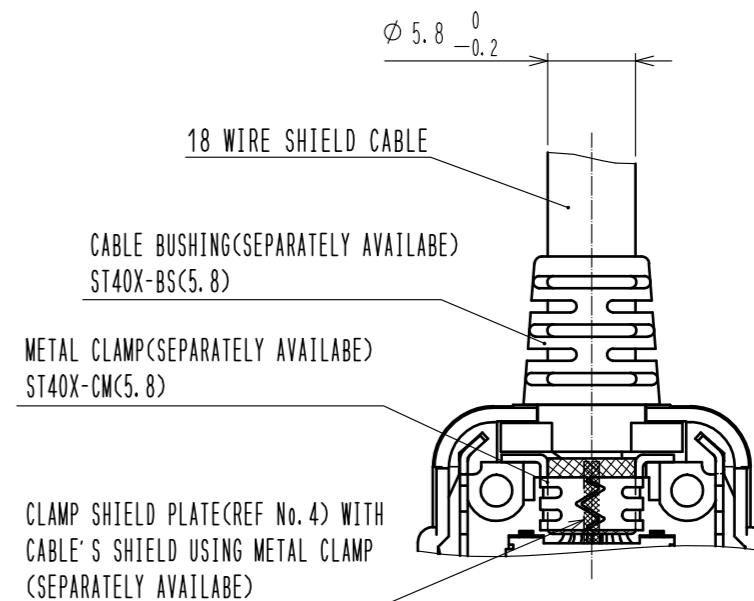


Sep.1.2021 Copyright 2021 HIROSE ELECTRIC CO., LTD. All Rights Reserved.
In case of consideration for using Automotive equipment / device which demand high reliability, kindly contact our sales window correspondents.

CONNECTOR AFTER COMPONENTS INSTALLED



③ PATTERN OF MOUNTING METAL CLAMP AND CABLE BUSHING



1. MISINSERTION PREVENTION KEY TYPE: 2B
2. PACKAGING: COMPONENTS ARE PACKED SEPARATELY BY THE TYPES OF PARTS WITH CROSS-CARRIED TAPPING SCREWS (REF No. 10) ATTACHED.
- ③ METAL CLAMP AND CABLE BUSHING ARE SEPARATELY AVAILABLE.

METAL CLAMP	ST40X-CM(5.8)	CL241-0024-0
CABLE BUSHING	ST40X-BS(5.8)	CL241-0025-3

4. COVER CASE (A) AND (B) SHALL BE FITTED ONLY ONE TIME DUE TO THEIR PRESS FITTING DESIGN.
5. PLEASE REFER TO THE ASSEMBLY MANUAL 'ETAD-E2720'.

NO.	MATERIAL	FINISH . REMARKS	NO.	MATERIAL	FINISH . REMARKS
4	STAINLESS STEEL		10	STEEL	BLACK
3	COPPER ALLOY	CONTACT PORTION:GOLD PLATED 0.2μm MIN	9	POLYCARBONATE	UL94V-0 BLACK
		POST PORTION :GOLD PLATED 0.03μm MIN	8	POLYCARBONATE	UL94V-0 BLACK
2	COPPER ALLOY	CONTACT PORTION:GOLD PLATED 0.2μm MIN	7	STAINLESS STEEL	
		POST PORTION :GOLD PLATED 0.03μm MIN	6	STAINLESS STEEL	
1	POLYAMIDE	UL94V-0 BLACK	5	STAINLESS STEEL	

UNITS	SCALE	COUNT	DESCRIPTION OF REVISIONS	DESIGNED	CHECKED	DATE
mm	2 : 1	△				

HRS HIROSE ELECTRIC CO., LTD.	APPROVED : NM. NISHIMATSU	16. 03. 01	DRAWING NO. EDC-126195-30-00 PART NO. ST40X-18S-CV1(30) CODE NO. CL241-0062-0-30
	CHECKED : NM. NISHIMATSU	16. 03. 01	
	DESIGNED : TS. ITO	16. 03. 01	
	DRAWN : AK. AKIYAMA	16. 03. 01	

X-ON Electronics

Largest Supplier of Electrical and Electronic Components

Click to view similar products for [I/O Connectors](#) category:

Click to view products by [Hirose](#) manufacturer:

Other Similar products are found below :

[571763P](#) [58098-0628](#) [72.250.1628.2](#) [72.250.2428.2](#) [74720-0505](#) [76.350.0729.0](#) [76871-1403](#) [FCN-244F080-G/1](#) [FCN-260A9920](#) [PCR-E36PM](#) [PCS-XE26MA+](#) [G38A71314B](#) [1571250010](#) [157-22500-3](#) [MS3471L14-19P L/C](#) [192991-0703](#) [172501-4002](#) [172501-6002](#) [FCN-260C008-A/L0](#) [FCN-260C024-AL0](#) [FCN-261Z008](#) [2000314-1](#) [200331-1](#) [PCR-E36FC+](#) [PCS-E28FS+](#) [PCS-XE26SLFD+](#) [PCS-XE26SLFDT+](#) [G730VID08BDC24](#) [U90B2054081210](#) [38113800006](#) [DP3AR020WQ1R200](#) [Z4.102.0680.0](#) [500-1040](#) [500-1052](#) [500-1054](#) [ZP-4008-66L](#) [0709821002](#) [DX40-20P\(55\)](#) [5554841-1](#) [MS3474W18-8P-LC*](#) [U90B3054061110](#) [U65-E04-4020](#) [ZPF000000000097891](#) [747360449](#) [10099439-003C-TRLF](#) [10137239-0021LF](#) [E9320-001-01](#) [10137239-0011LF](#) [70289-001LF](#) [70.060.1028.0](#)