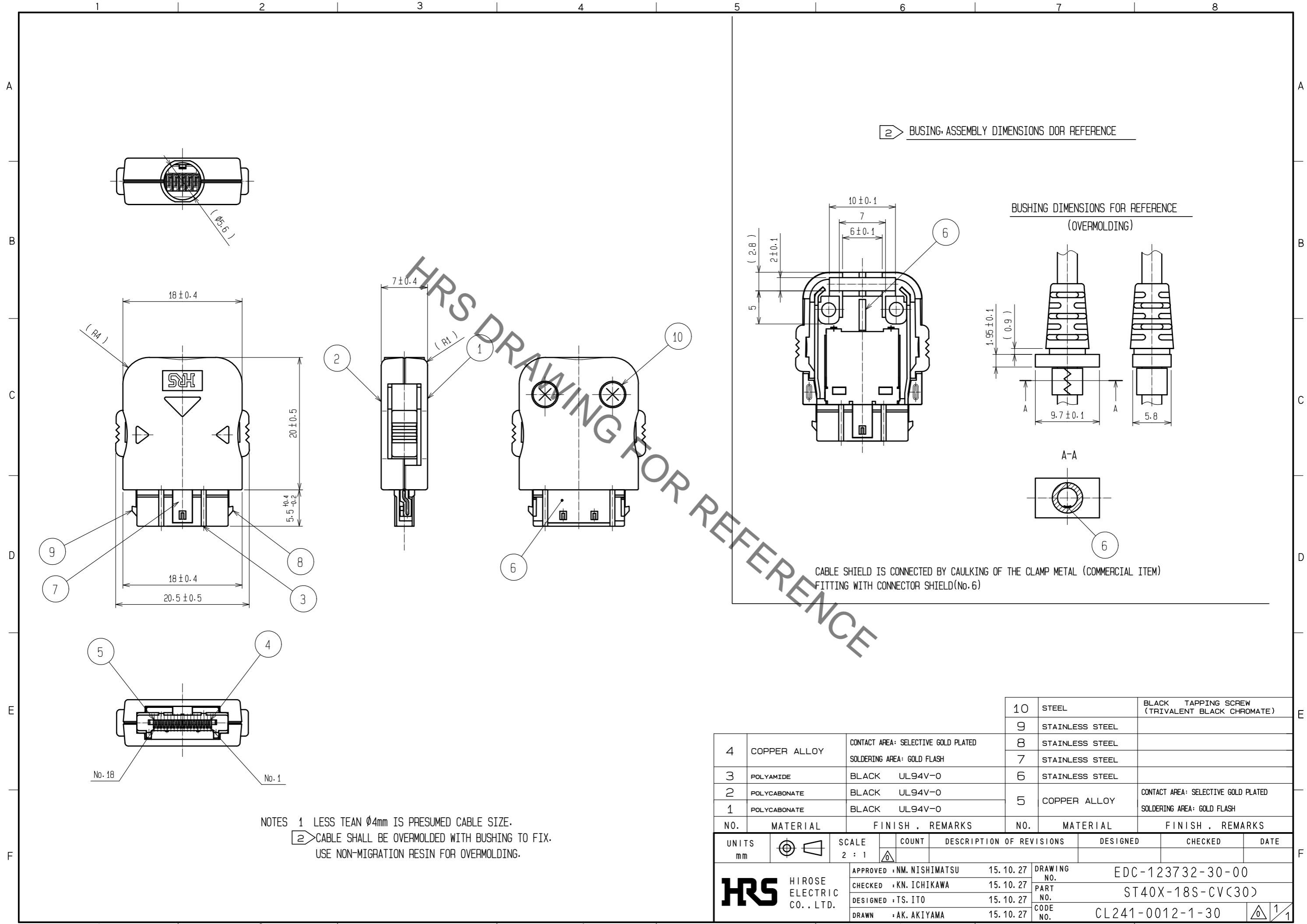


Aug.1.2021 Copyright 2021 HIROSE ELECTRIC CO., LTD. All Rights Reserved.  
 In case of consideration for using Automotive equipment / device which demand high reliability, kindly contact our sales window correspondents.



NOTES 1 LESS TEAN  $\phi 4\text{mm}$  IS PRESUMED CABLE SIZE.  
 2 CABLE SHALL BE OVERMOLDED WITH BUSHING TO FIX.  
 USE NON-MIGRATION RESIN FOR OVERMOLDING.

NO.	MATERIAL	FINISH .	REMARKS	NO.	MATERIAL	FINISH .	REMARKS
10	STEEL			10	STEEL		BLACK TAPPING SCREW (TRIVALENT BLACK CHROMATE)
9	STAINLESS STEEL			9	STAINLESS STEEL		
8	STAINLESS STEEL			8	STAINLESS STEEL		
7	STAINLESS STEEL			7	STAINLESS STEEL		
6	STAINLESS STEEL			6	STAINLESS STEEL		
5	COPPER ALLOY		CONTACT AREA: SELECTIVE GOLD PLATED SOLDERING AREA: GOLD FLASH	5	COPPER ALLOY		CONTACT AREA: SELECTIVE GOLD PLATED SOLDERING AREA: GOLD FLASH
4	COPPER ALLOY		CONTACT AREA: SELECTIVE GOLD PLATED SOLDERING AREA: GOLD FLASH				
3	POLYAMIDE		BLACK UL94V-0				
2	POLYCARBONATE		BLACK UL94V-0				
1	POLYCARBONATE		BLACK UL94V-0				

UNITS	SCALE	COUNT	DESCRIPTION OF REVISIONS	DESIGNED	CHECKED	DATE
mm	2 : 1	1				
			APPROVED : NM. NISHIMATSU 15.10.27 CHECKED : KN. ICHIKAWA 15.10.27 DESIGNED : TS. ITO 15.10.27 DRAWN : AK. AKIYAMA 15.10.27	DRAWING NO. EDC-123732-30-00 PART NO. ST40X-18S-CV(30) CODE NO. CL241-0012-1-30		

## X-ON Electronics

Largest Supplier of Electrical and Electronic Components

*Click to view similar products for [I/O Connectors](#) category:*

*Click to view products by [Hirose](#) manufacturer:*

Other Similar products are found below :

[571763P](#) [58098-0628](#) [72.250.1628.2](#) [72.250.2428.2](#) [74720-0505](#) [76.350.0729.0](#) [76871-1403](#) [FCN-244F080-G/1](#) [FCN-260A9920](#) [PCR-E36PM](#) [PCS-XE26MA+](#) [G38A71314B](#) [1571250010](#) [157-22500-3](#) [MS3471L14-19P L/C](#) [192991-0703](#) [172501-4002](#) [172501-6002](#) [FCN-260C008-A/L0](#) [FCN-260C024-AL0](#) [FCN-261Z008](#) [2000314-1](#) [200331-1](#) [PCR-E36FC+](#) [PCS-E28FS+](#) [PCS-XE26SLFD+](#) [PCS-XE26SLFDT+](#) [G730VID08BDC24](#) [U90B2054081210](#) [UE86K842720321](#) [38113800006](#) [DP3AR020WQ1R200](#) [Z4.102.0680.0](#) [500-1040](#) [500-1052](#) [500-1054](#) [ZP-4008-66L](#) [0709821002](#) [DX40-20P\(55\)](#) [5554841-1](#) [MS3474W18-8P-LC\\*](#) [SM3106F14S-7S-LC](#) [U90B3054061110](#) [U65-E04-4020](#) [ZPF000000000097891](#) [557-262M2-06C](#) [747360449](#) [10099439-003C-TRLF](#) [10137239-0021LF](#) [E9320-001-01](#)