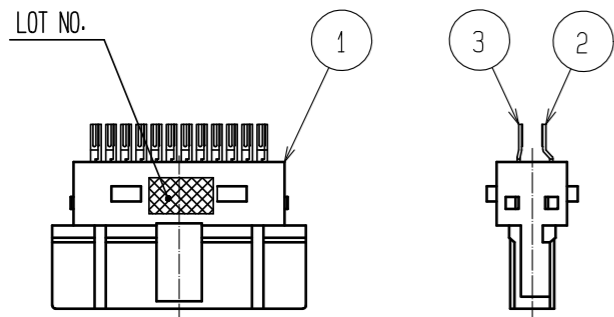
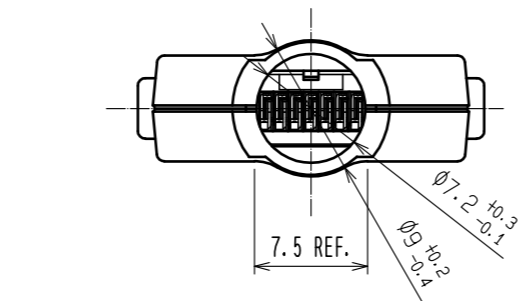


Sep.1.2021 Copyright 2021 HIROSE ELECTRIC CO., LTD. All Rights Reserved.
In case of consideration for using Automotive equipment / device which demand high reliability, kindly contact our sales window correspondents.

CONNECTOR UNIT



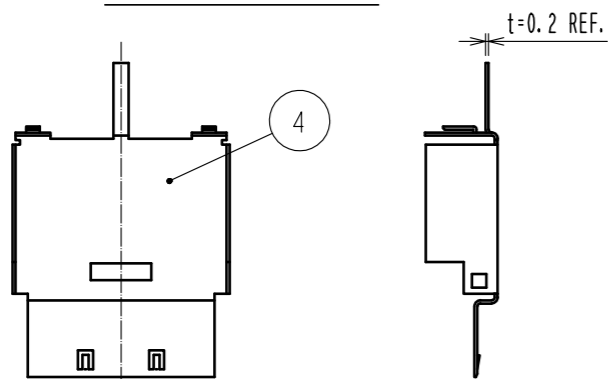
CONNECTOR AFTER COMPONENTS INSTALLED



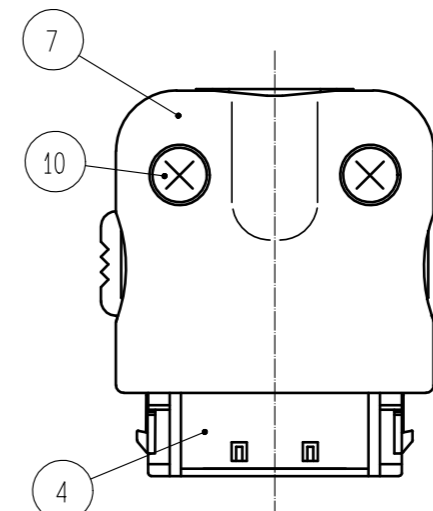
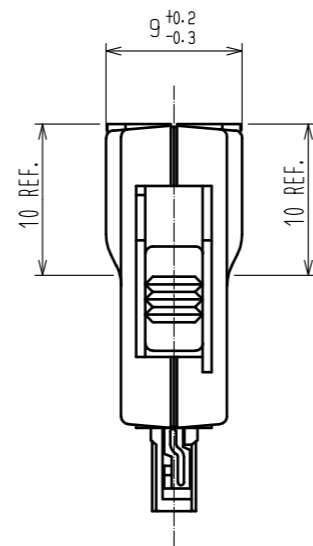
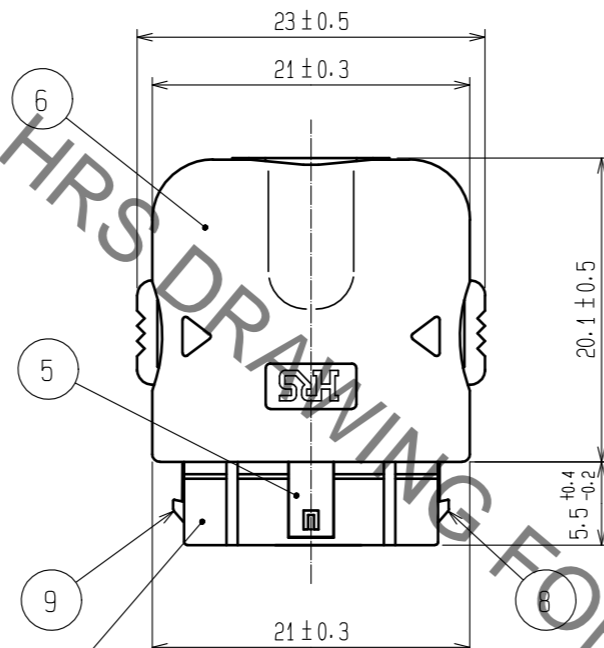
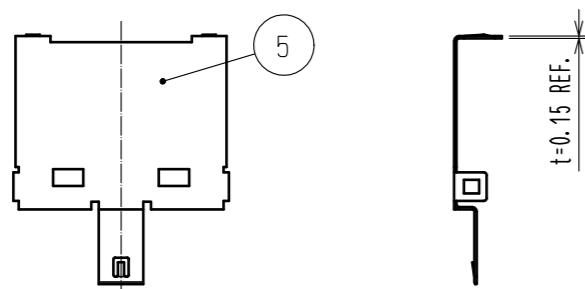
- NOTES
- PACKAGING: COMPONENTS ARE PACKED SEPARATELY BY THE TYPES OF PARTS WITH CROSS-CARRIED TAPPING SCREWS(REF NO. 10) ATTACHED.
 - METAL CLAMP AND CABLE BUSHING ARE SEPARATELY AVAILABLE.
 - COVER CASE (A) AND (B) SHALL BE FITTED ONLY ONE TIME DUE TO THEIR PRESS FITTING DESIGN.

| | | |
|---------------|---------------|--------------|
| METAL CLAMP | ST40X-CM(5.8) | CL241-0024-0 |
| CABLE BUSHING | ST40X-BS(5.8) | CL241-0025-3 |

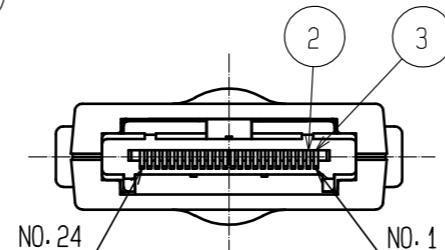
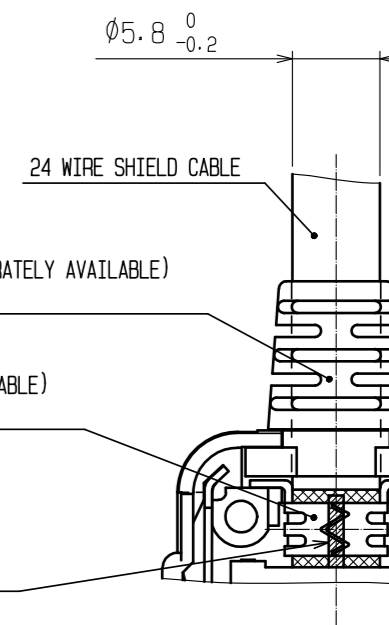
SHIELD PLATE (A)



SHIELD PLATE (B)



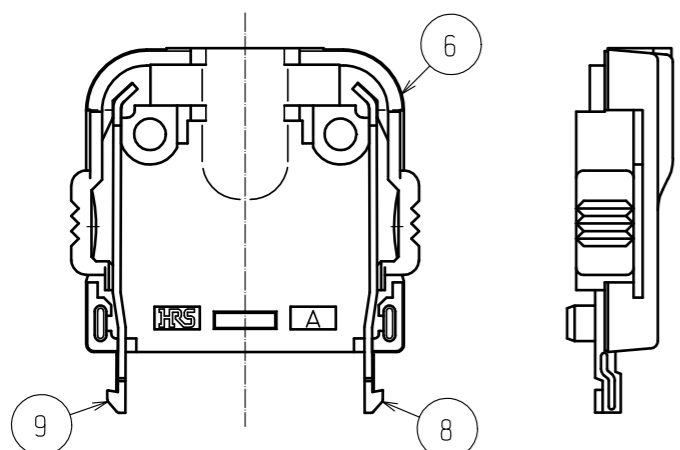
PATTERN OF MOUNTING METAL CLAMP AND CABLE BUSHING



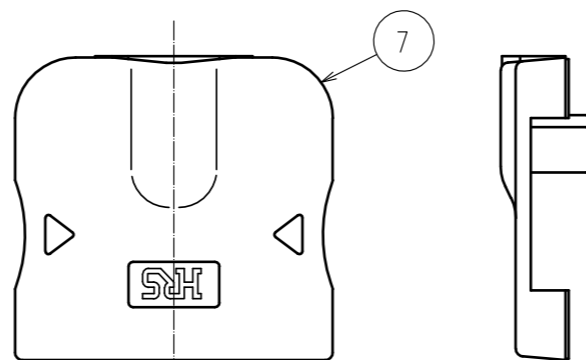
METAL CLAMP (SEPARATELY AVAILABLE)
ST40X-CM(5.8)

CLAMP BUSHING CABLE HERE WITH
CABLE SHIELD USING METAL CLAMP
(SEPARATELY AVAILABLE).

COVER CASE (A) WITH LOCK SPRINGS INSTALLED



COVER CASE (B)



| NO. | MATERIAL | FINISH | REMARKS | NO. | MATERIAL | FINISH | REMARKS |
|-----|-----------------|---|---------|-----|-----------------|--------|--------------------------------------|
| 5 | STAINLESS STEEL | | | 10 | STEEL | BLACK | TAPPING SCREW TRIAVALENT CHROMATE |
| 4 | STAINLESS STEEL | | | 9 | STAINLESS STEEL | | |
| 3 | COPPER ALLOY | SELECTIVE GOLD PLATED +SELECTIVE GOLD FLASH PLATED | | 8 | STAINLESS STEEL | | |
| 2 | COPPER ALLOY | SELECTIVE GOLD PLATED +SELECTIVE GOLD FLASH PLATED | | 7 | POLYCARBONATE | BLACK | UL94V-0 |
| 1 | PA | BLACK | UL94V-0 | 6 | POLYCARBONATE | BLACK | UL94V-0 |

| UNITS | SCALE | COUNT | DESCRIPTION OF REVISIONS | DESIGNED | CHECKED | DATE |
|-------|-------|-------|--------------------------|----------|---------|------|
| mm | 2 : 1 | | | | | |

| | | | | |
|--------------------------------------|---------------------------|----------|-------------|-------------------|
| HRS HIROSE ELECTRIC CO., LTD. | APPROVED : NM. NISHIMATSU | 15.10.27 | DRAWING NO. | EDC-124187-30-00 |
| | CHECKED : KN. ICHIKAWA | 15.10.27 | PART NO. | ST40X-24S-CV1(30) |
| | DESIGNED : TS. ITO | 15.10.27 | CODE NO. | CL241-0023-8-30 |
| | DRAWN : AK. AKIYAMA | 15.10.27 | | |

X-ON Electronics

Largest Supplier of Electrical and Electronic Components

Click to view similar products for [I/O Connectors](#) category:

Click to view products by [Hirose](#) manufacturer:

Other Similar products are found below :

[571763P](#) [58098-0628](#) [72.250.1628.2](#) [72.250.2428.2](#) [74720-0505](#) [76.350.0729.0](#) [76871-1403](#) [FCN-244F080-G/1](#) [FCN-260A9920](#) [MP-5T180MUNNA-005](#) [PCR-E36PM](#) [PCS-XE26MA+](#) [G38A71314B](#) [1571250010](#) [157-22500-3](#) [MS3471L14-19P L/C](#) [192991-0703](#) [172501-4002](#) [172501-6002](#) [FCN-260C008-A/L0](#) [FCN-260C024-AL0](#) [FCN-261Z008](#) [2000314-1](#) [200331-1](#) [PCR-E36FC+](#) [PCS-E28FS+](#) [PCS-XE26SLFD+](#) [PCS-XE26SLFDT+](#) [G730VID08BDC24](#) [HDR-E14MSG1+](#) [U90B2054081210](#) [UE86K842720321](#) [38113800006](#)
[DP3AR020WQ1R200](#) [Z4.102.0680.0](#) [500-1040](#) [500-1052](#) [500-1054](#) [ZP-4008-66L](#) [0709821002](#) [DX40-20P\(55\)](#) [5554841-1](#) [MS3474W18-8P-LC*](#) [SM3106F14S-7S-LC](#) [U90B3054061110](#) [U65-E04-4020](#) [ZPF000000000097891](#) [557-262M2-06C](#) [747360449](#) [10099439-003C-TRLF](#)