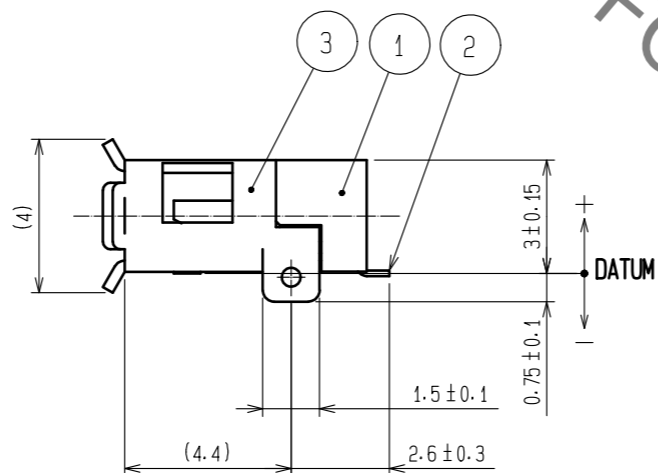
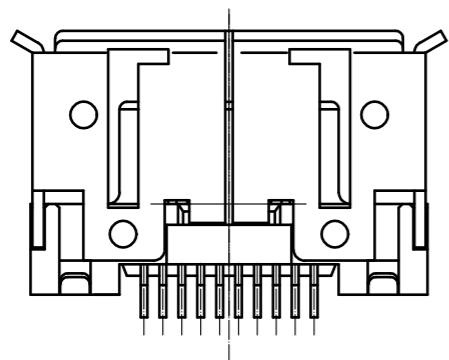
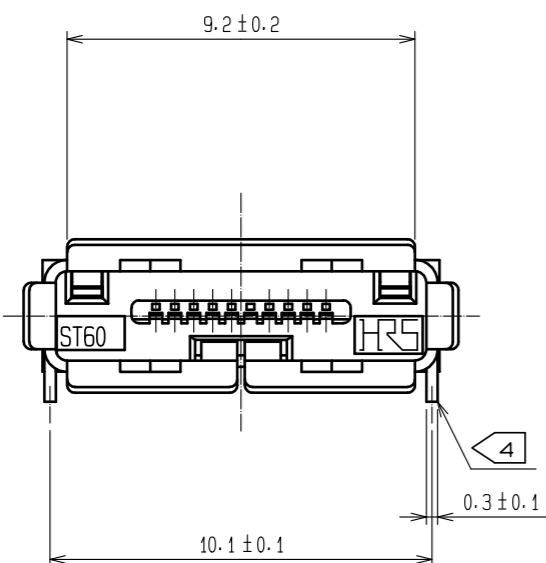
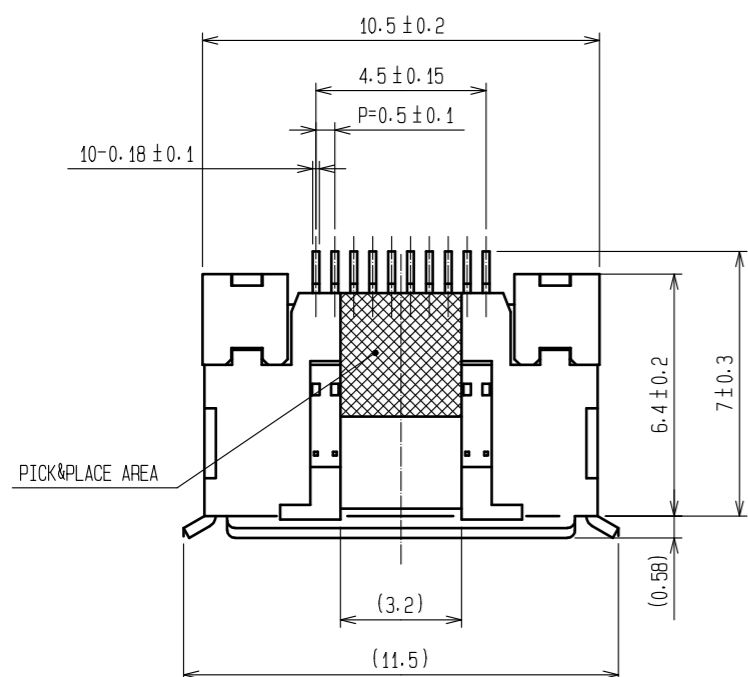
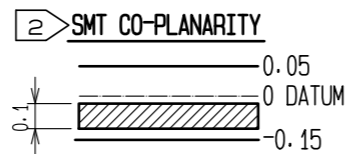


Sep.1.2021 Copyright 2021 HIROSE ELECTRIC CO., LTD. All Rights Reserved.
In case of consideration for using Automotive equipment / device which demand high reliability, kindly contact our sales window correspondents.

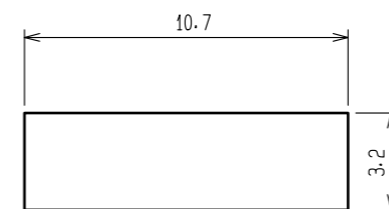


NOTE 1 1REEL:1500 PIECES.
 2 CO-PLANARITY SPECIFICATION AS FIG SHOWN IN THE UNDER.
 3 CONTACT AREA:GOLD PLATED 0.2μm MIN.
 MOUNTING AREA:GOLD PLATED FLASH.
 UNDER PLATING:NICKEL PLATED 2μm MIN.



4 MANUAL SOLDERING OF THROUGH HOLE DIP IS NOT ACCEPTABLE.

PANEL CUTOUT(4:1)



PATTERN OF MOUNTING PLUG(4:1)

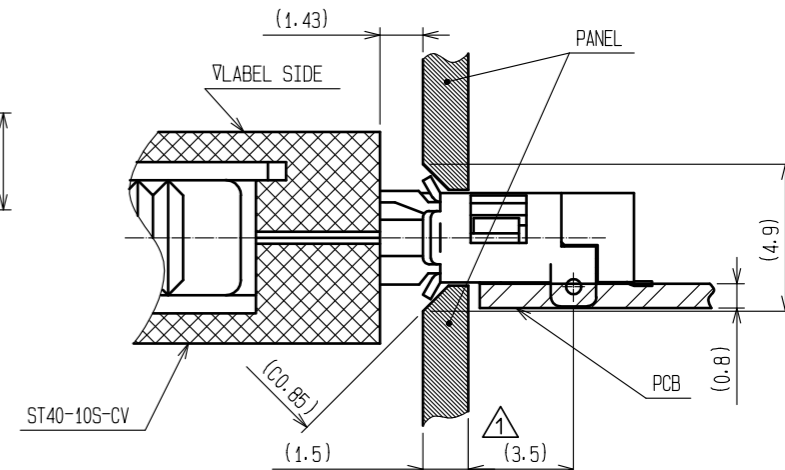
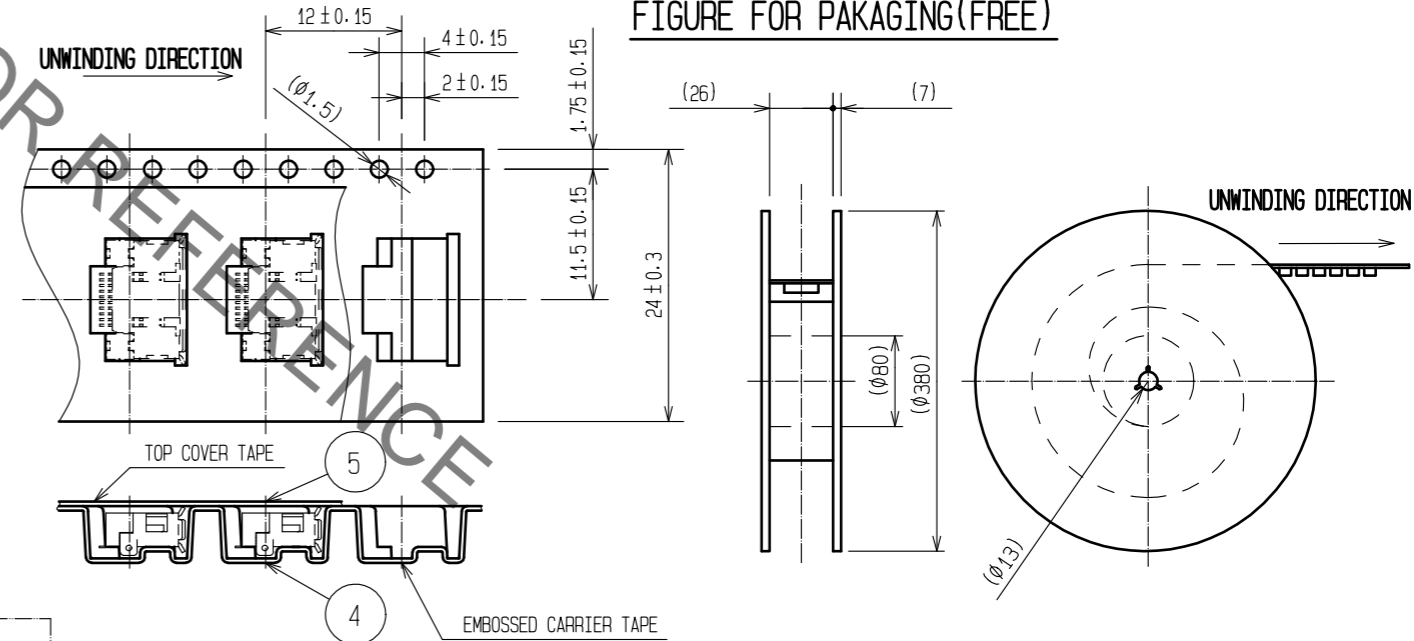


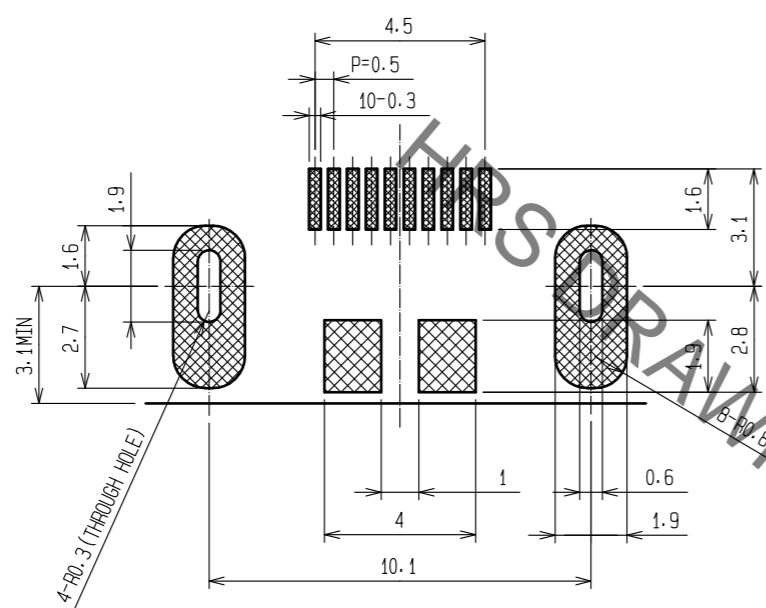
FIGURE FOR PAKAGING(FREE)



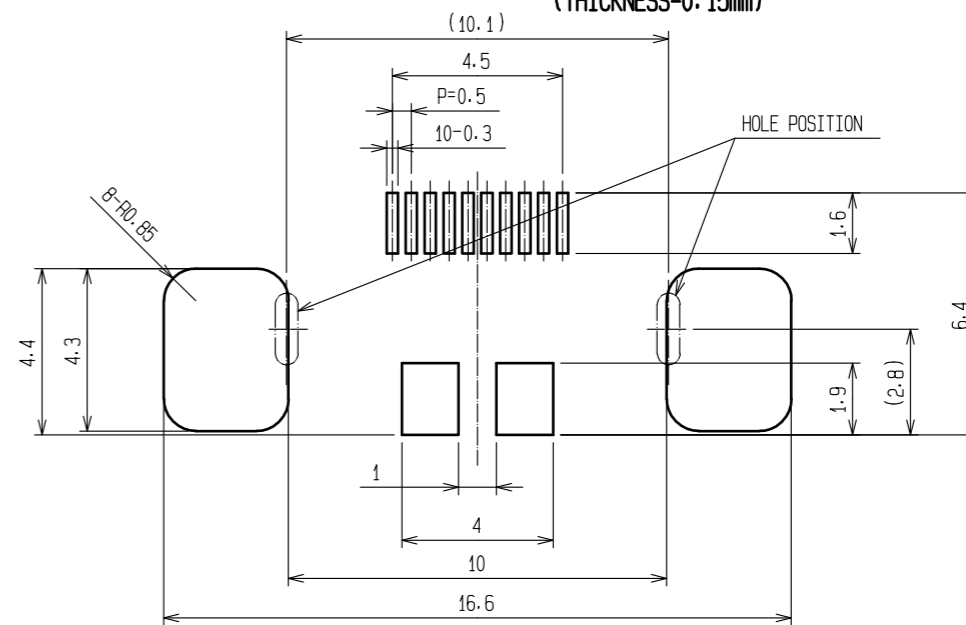
2	COPPER ALLOY		3	5	PE	TOP COVER TAPE	
1	LCP	BLACK UL94V-0	4	PS	EMBOSSED CARRIER TAPE		
			3	STAINLESS STEEL	TIN PLATED		
NO.	MATERIAL	FINISH .	REMARKS	NO.	MATERIAL	FINISH .	REMARKS
UNITS	mm	SCALE	5 : 1	COUNT	1	DESCRIPTION OF REVISIONS	DIS-E-00001453
						DESIGNED	MO. SHIMUYAMA
						CHECKED	AH. KODAMA
						DATE	18.04.12
APPROVED : NM. NISHIMATSU 15.10.27				DRAWING NO.			EDC-124149-30-00
CHECKED : KN. ICHIKAWA 15.10.27				PART NO.			ST60-10P(30)
DESIGNED : TS. ITO 15.10.27				CODE NO.			CL241-0022-5-30
DRAWN : AK. AKIYAMA 15.10.27							1/2

Sep.1.2021 Copyright 2021 HIROSE ELECTRIC CO., LTD. All Rights Reserved.
 In case of consideration for using Automotive equipment / device which demand high reliability, kindly contact our sales window correspondents.

6 RECOMMENDED PC BOARD PATTERN



5 RECOMMENDED METAL MASK DESIGN
 (THICKNESS=0.15mm)



- 5 REFER TO THE RECOMMENDED METAL MASK DESIGN.
- 6 RECOMMENDED PC BOARD PATTERN
- : COPPER FOIL+SOLDER LEVELER

DRAWING FOR REFERENCE

HRS	DRAWING NO.	EDC-124149-30-00	2/2
	PART NO.	ST60-10P(30)	
	CODE NO.	CL241-0022-5-30	

X-ON Electronics

Largest Supplier of Electrical and Electronic Components

Click to view similar products for [I/O Connectors](#) category:

Click to view products by [Hirose](#) manufacturer:

Other Similar products are found below :

[571763P](#) [58098-0628](#) [72.250.1628.2](#) [72.250.2428.2](#) [74720-0505](#) [76.350.0729.0](#) [76871-1403](#) [FCN-244F080-G/1](#) [FCN-260A9920](#) [MP-5T180MUNNA-005](#) [PCR-E36PM](#) [PCS-XE26MA+](#) [G38A71314B](#) [1571250010](#) [157-22500-3](#) [MS3471L14-19P L/C](#) [192991-0703](#) [172501-4002](#) [172501-6002](#) [FCN-260C008-A/L0](#) [FCN-260C024-AL0](#) [FCN-261Z008](#) [2000314-1](#) [200331-1](#) [PCR-E36FC+](#) [PCS-E28FS+](#) [PCS-XE26SLFD+](#) [PCS-XE26SLFDT+](#) [G730VID08BDC24](#) [HDR-E14MSG1+](#) [U90B2054081210](#) [UE86K842720321](#) [38113800006](#)
[DP3AR020WQ1R200](#) [Z4.102.0680.0](#) [500-1040](#) [500-1052](#) [500-1054](#) [ZP-4008-66L](#) [0709821002](#) [DX40-20P\(55\)](#) [5554841-1](#) [MS3474W18-8P-LC*](#) [SM3106F14S-7S-LC](#) [U90B3054061110](#) [U65-E04-4020](#) [ZPF000000000097891](#) [557-262M2-06C](#) [747360449](#) [10099439-003C-TRLF](#)