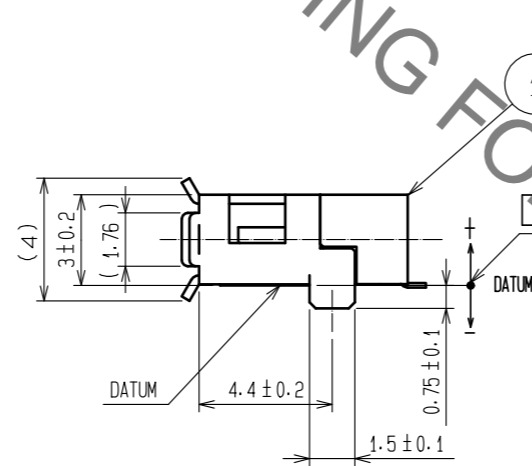
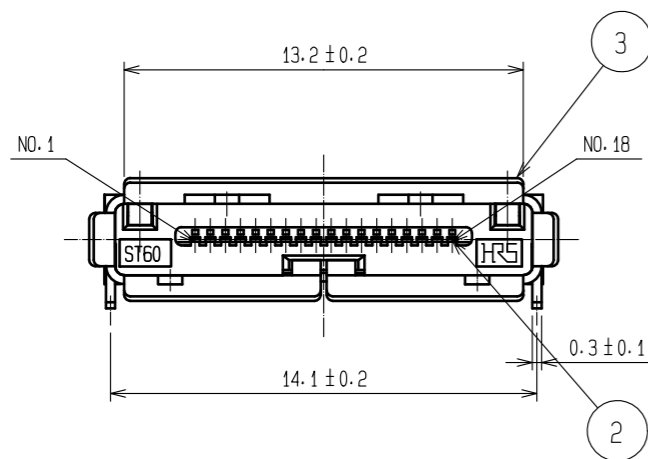
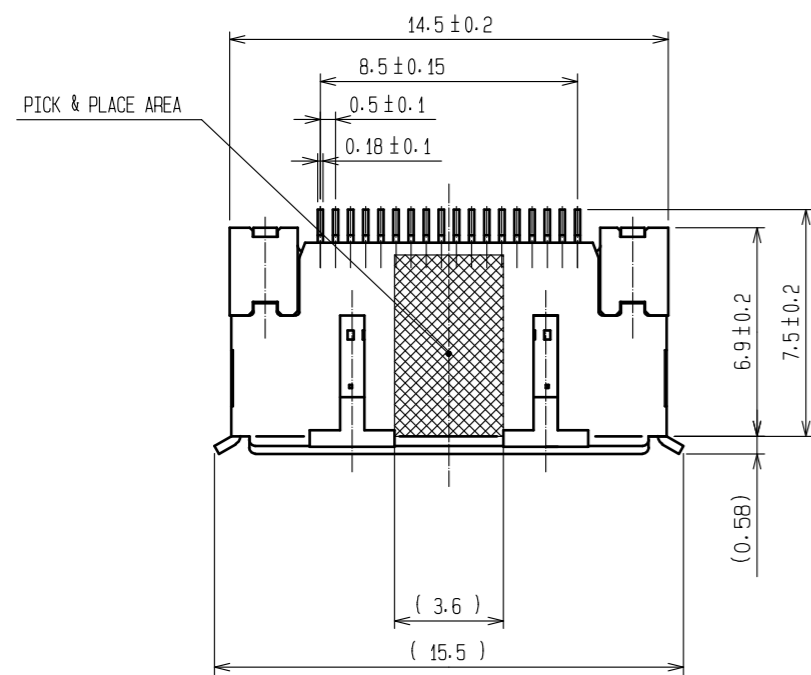
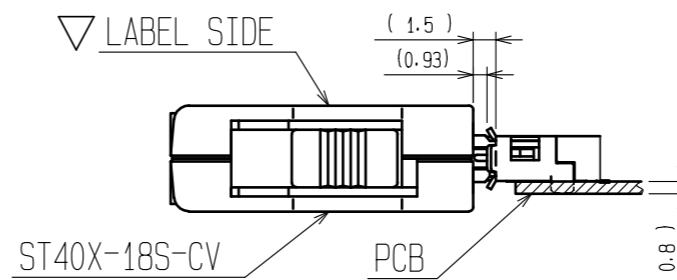


Sep.1.2021 Copyright 2021 HIROSE ELECTRIC CO., LTD. All Rights Reserved.
In case of consideration for using Automotive equipment / device which demand high reliability, kindly contact our sales window correspondents.



PATTERN OF MOUNTING PLUG (2:1)



RECOMMENDED PC BOARD HOLE PATTERN (2:1)

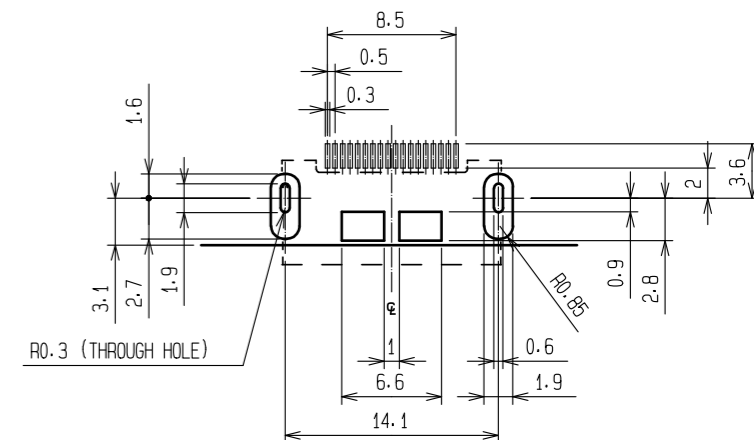
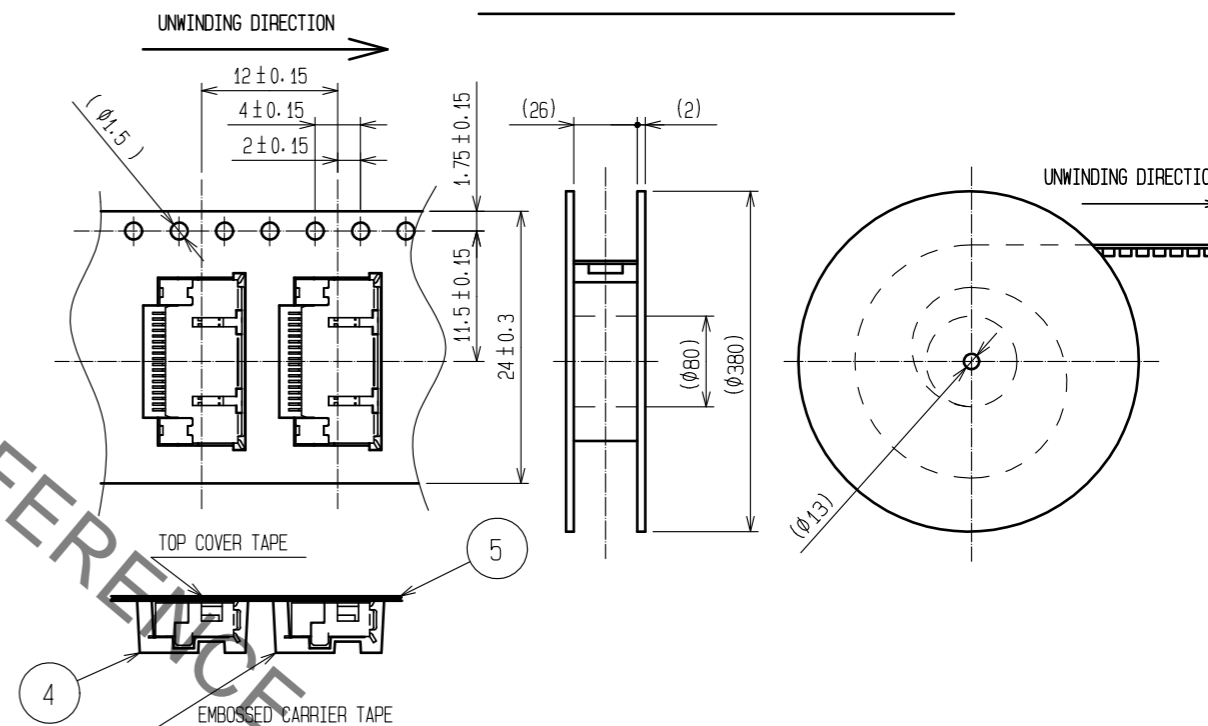
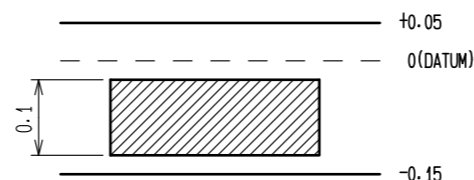


FIGURE FOR PAKAGING (FREE)



- NOTE 1 1REEL:1500 PIECES.
1REEL CONSISTS OF 1500 PIECES FOR SALE.
- ② CO-PLANARITY SPECIFICATION AS FIG SHOWN IN THE RIGHT.
 - ③ PLATING
CONTACT AREA GOLD 0.2μm min.
LEAD AREA GOLD FLASH.
UNDER PLATING NICKEL 2μm.
 - ④ PLATING
SURFACE AREA TIN 2μm min.
UNDER PLATING NICKEL 0.2μm min.



| 2 | COPPER ALLOY | ③ | 5 | PS | TOP COVER TAPE |
|---------------------------|--------------|---------------------|-------|------------------------------|-----------------------|
| 1 | LCP-M | COLOR BLACK UL94V-0 | 4 | PS | EMBOSSED CARRIER TAPE |
| | | | 3 | STAINLESS STEEL | ④ |
| NO. | MATERIAL | FINISH . REMARKS | NO. | MATERIAL | FINISH . REMARKS |
| UNITS | mm | SCALE | 4 : 1 | COUNT | △ |
| APPROVED : NM. NISHIMATSU | | 15.10.27 | | DRAWING NO. EDC-123731-30-00 | |
| CHECKED : KN. ICHIKAWA | | 15.10.27 | | PART NO. ST60-18P(30) | |
| DESIGNED : TS. ITO | | 15.10.27 | | CODE NO. CL241-0011-9-30 | |
| DRAWN : AK. AKIYAMA | | 15.10.27 | | | |

X-ON Electronics

Largest Supplier of Electrical and Electronic Components

Click to view similar products for [I/O Connectors](#) category:

Click to view products by [Hirose](#) manufacturer:

Other Similar products are found below :

[571763P](#) [58098-0628](#) [72.250.1628.2](#) [72.250.2428.2](#) [74720-0505](#) [76.350.0729.0](#) [76871-1403](#) [FCN-244F080-G/1](#) [FCN-260A9920](#) [PCR-E36PM](#) [PCS-XE26MA+](#) [G38A71314B](#) [1571250010](#) [157-22500-3](#) [MS3471L14-19P L/C](#) [192991-0703](#) [172501-4002](#) [172501-6002](#) [FCN-260C008-A/L0](#) [FCN-260C024-AL0](#) [FCN-261Z008](#) [2000314-1](#) [200331-1](#) [PCR-E36FC+](#) [PCS-E28FS+](#) [PCS-XE26SLFD+](#) [PCS-XE26SLFDT+](#) [G730VID08BDC24](#) [U90B2054081210](#) [UE86K842720321](#) [38113800006](#) [DP3AR020WQ1R200](#) [Z4.102.0680.0](#) [500-1040](#) [500-1052](#) [500-1054](#) [ZP-4008-66L](#) [0709821002](#) [DX40-20P\(55\)](#) [5554841-1](#) [MS3474W18-8P-LC*](#) [SM3106F14S-7S-LC](#) [U90B3054061110](#) [U65-E04-4020](#) [ZPF000000000097891](#) [557-262M2-06C](#) [747360449](#) [10099439-003C-TRLF](#) [10137239-0021LF](#) [E9320-001-01](#)