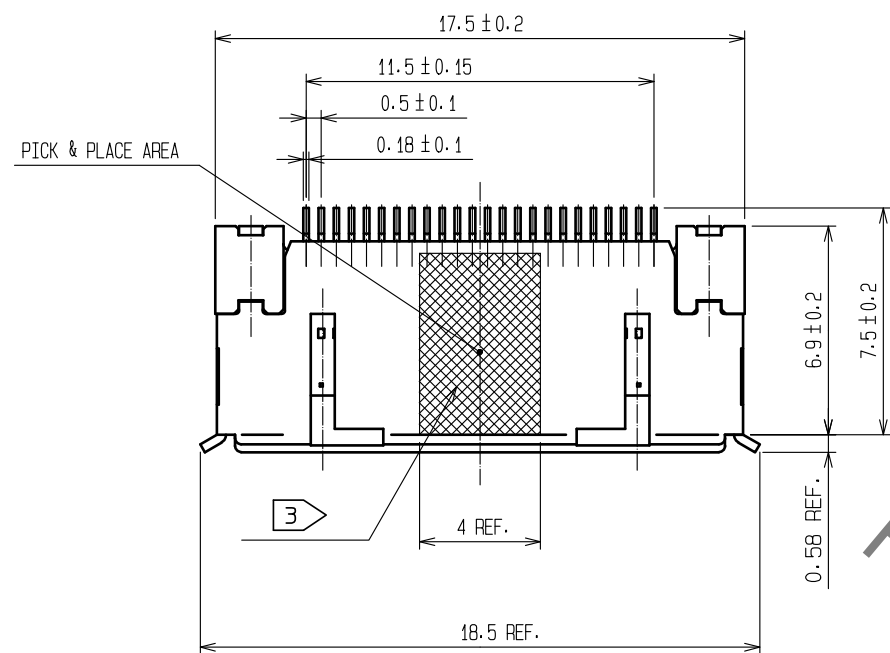
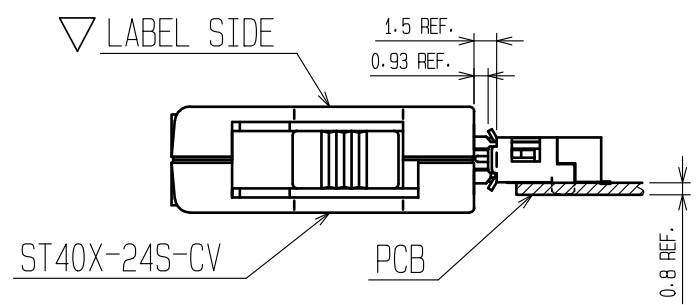


Sep.1.2021 Copyright 2021 HIROSE ELECTRIC CO., LTD. All Rights Reserved.  
In case of consideration for using Automotive equipment / device which demand high reliability, kindly contact our sales window correspondents.



PATTERN OF MOUNTING PLUG (2:1)



RECOMMENDED PC BOARD HOLE PATTERN (2:1)

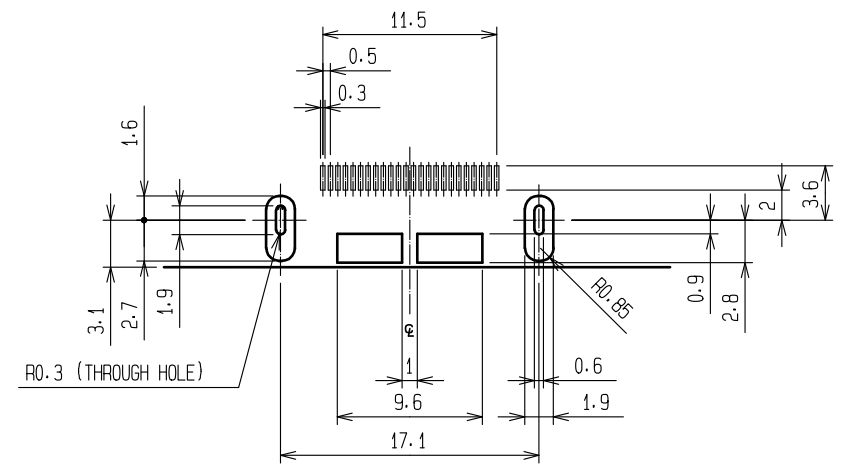


FIGURE FOR PACKAGING (FREE)

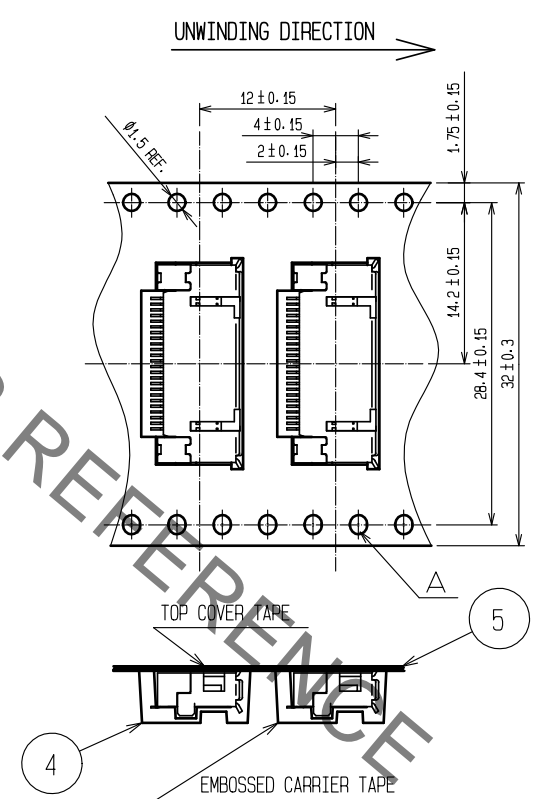
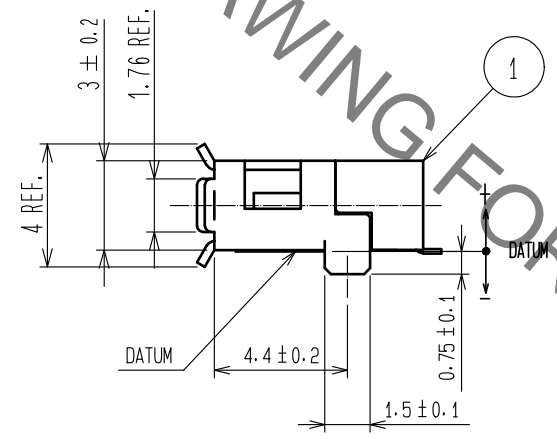
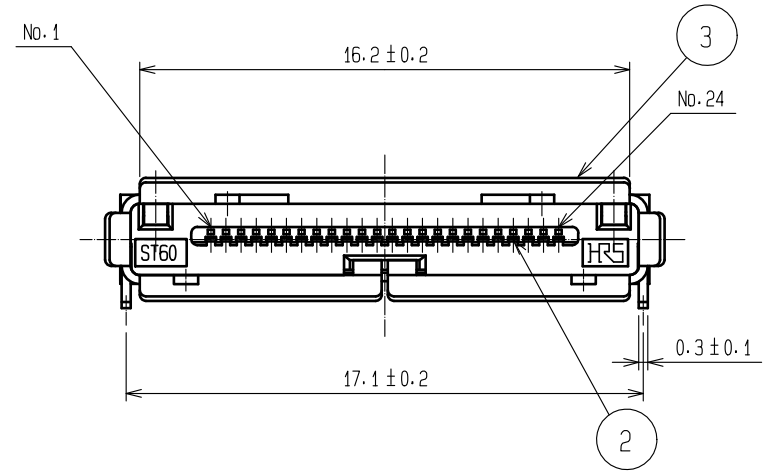
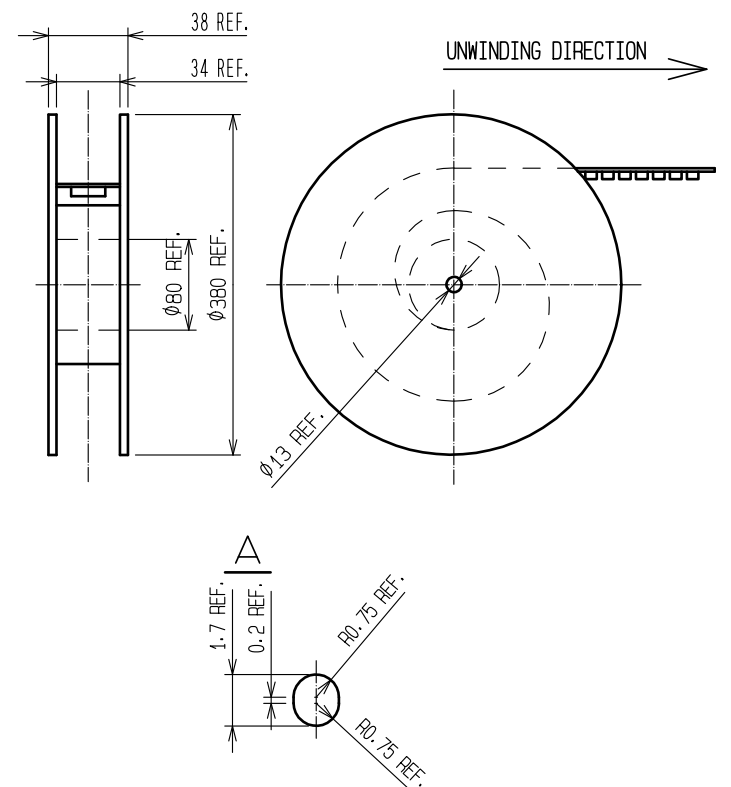
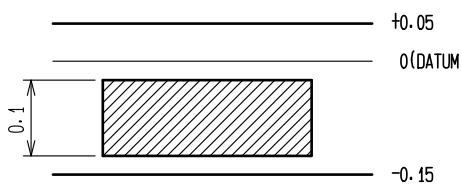


FIG. 1. CODE CONFIGURATION FOR 4 DIGITS OF MANUFACTURING LOT NO.

< EXAMPLE > 1 H C 2 → 2011 YEAR, 8 MONTH, 12 DAY  
① ② ③ ④

①		②		③						④	
Year		Month		Day						Line No.	
Year	Symbol	Month	Symbol	Day	Symbol	Day	Symbol	Day	Symbol	Line No.	Symbol
2011	1	Jan.	A	1	1	11	B	21	M	1	A
2012	2	Feb.	B	2	2	12	C	22	N	2	B
2013	3	Mar.	C	3	3	13	D	23	P	3	C
2014	4	Apr.	D	4	4	14	E	24	Q	4	D
2015	5	May.	E	5	5	15	F	25	R	5	E
2016	6	Jun.	F	6	6	16	G	26	S	6	F
2017	7	Jul.	G	7	7	17	H	27	T	7	G
2018	8	Aug.	H	8	8	18	J	28	U	8	H
2019	9	Sep.	I	9	9	19	K	29	V	9	I
2020	0	Oct.	J	10	A	20	L	30	W	10	J
		Nov.	K			31	X				
		Dec.	L								

NOTE 1 1REEL : 1500 PIECES.  
1REEL CONSISTS OF 1500 PIECES FOR SALE.  
2 CO-PLANARITY SPECIFICATION AS FIG SHOWN IN THE RIGHT.  
③ MANUFACTURING LOT NO. SHALL BE INDICATED AT THE POSITION AS SHOWN.



3	STAINLESS STEEL	TIN PLATING			
2	COPPER	SELECTIVE GOLD PLATED	5	PS	TOP COVER TAPE
1	LCP	BLACK UL94V-0	4	PS	EMBOSSED CARRIER TAPE
NO.	MATERIAL	FINISH . REMARKS	NO.	MATERIAL	FINISH . REMARKS
UNITS		SCALE	COUNT	DESCRIPTION OF REVISIONS	
mm		4 : 1	△	DESIGNED	CHECKED
HRS		HIROSE ELECTRIC CO., LTD.	APPROVED : NM. NISHIMATSU	15.10.27	DRAWING NO. EDC-123316-30-00
			CHECKED : KN. ICHIKAWA	15.10.27	PART NO. ST60-24P(30)
			DESIGNED : TS. ITO	15.10.27	CODE NO. CL241-0003-0-30
			DRAWN : AK. AKIYAMA	15.10.27	

## X-ON Electronics

Largest Supplier of Electrical and Electronic Components

*Click to view similar products for [I/O Connectors](#) category:*

*Click to view products by [Hirose](#) manufacturer:*

Other Similar products are found below :

[571763P](#) [58098-0628](#) [72.250.1628.2](#) [72.250.2428.2](#) [74720-0505](#) [76.350.0729.0](#) [76871-1403](#) [FCN-244F080-G/1](#) [FCN-260A9920](#) [PCR-E36PM](#) [PCS-XE26MA+](#) [G38A71314B](#) [1571250010](#) [157-22500-3](#) [MS3471L14-19P L/C](#) [192991-0703](#) [172501-4002](#) [172501-6002](#) [FCN-260C008-A/L0](#) [FCN-260C024-AL0](#) [FCN-261Z008](#) [2000314-1](#) [200331-1](#) [PCR-E36FC+](#) [PCS-E28FS+](#) [PCS-XE26SLFD+](#) [PCS-XE26SLFDT+](#) [G730VID08BDC24](#) [U90B2054081210](#) [UE86K842720321](#) [38113800006](#) [DP3AR020WQ1R200](#) [Z4.102.0680.0](#) [500-1040](#) [500-1052](#) [500-1054](#) [ZP-4008-66L](#) [0709821002](#) [DX40-20P\(55\)](#) [5554841-1](#) [MS3474W18-8P-LC\\*](#) [SM3106F14S-7S-LC](#) [U90B3054061110](#) [U65-E04-4020](#) [ZPF000000000097891](#) [557-262M2-06C](#) [747360449](#) [10099439-003C-TRLF](#) [10137239-0021LF](#) [E9320-001-01](#)