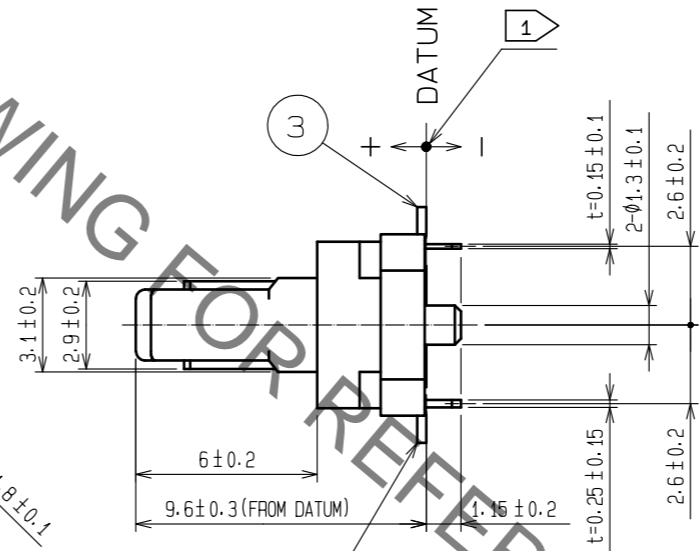
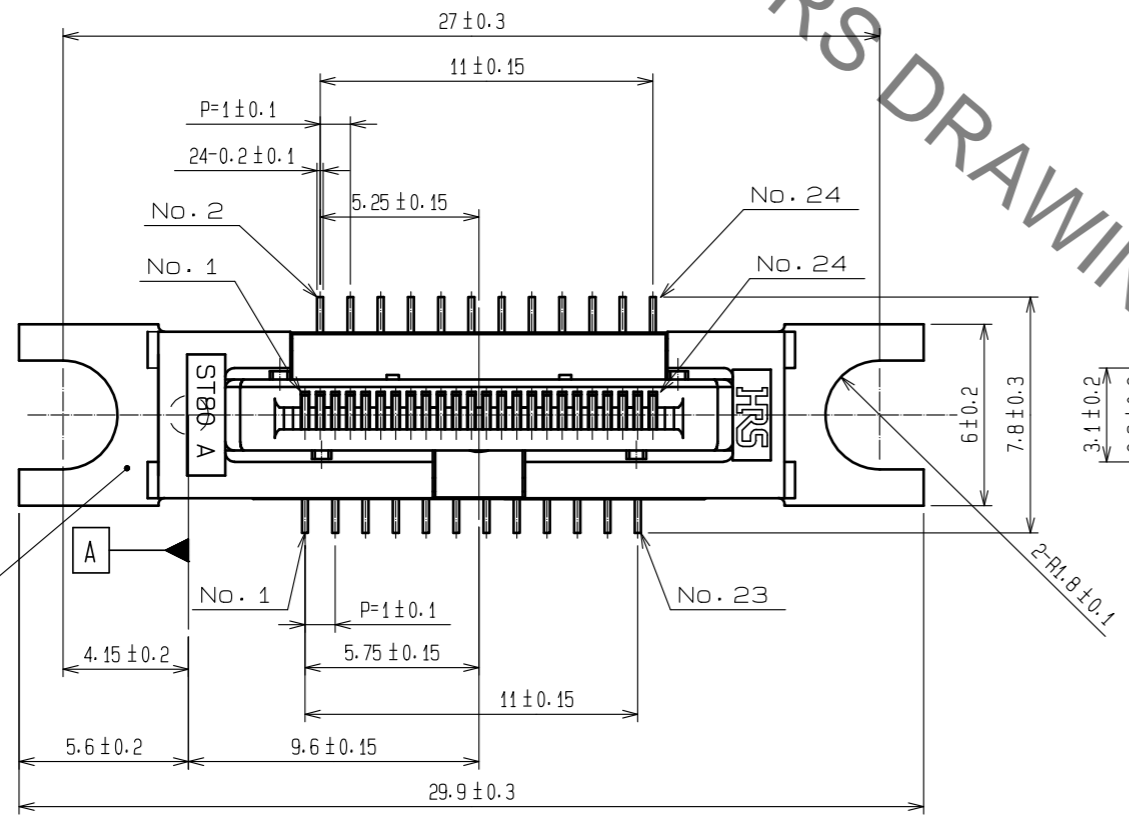
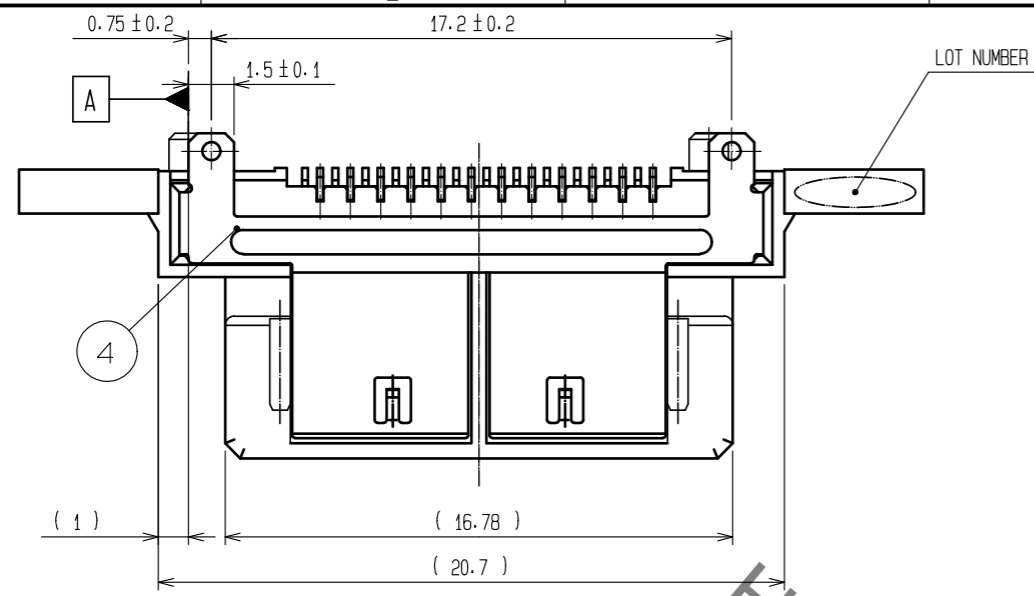
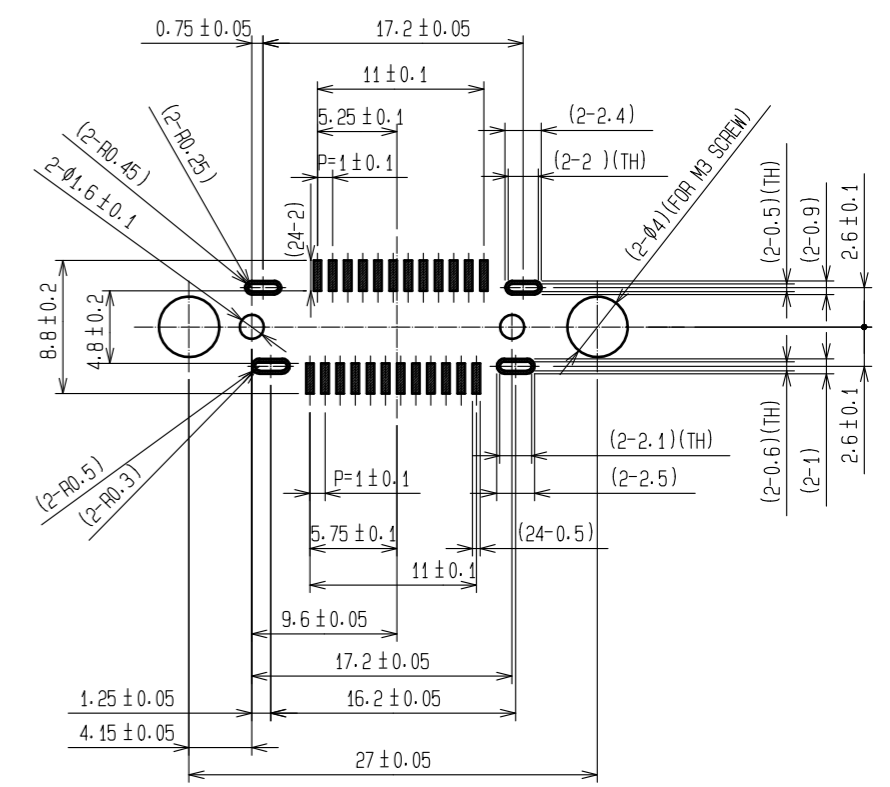


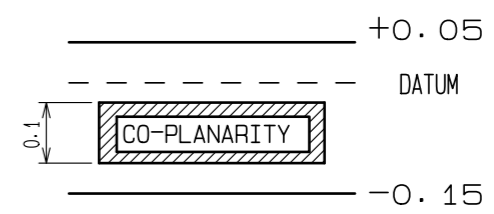
Sep.1.2021 Copyright 2021 HIROSE ELECTRIC CO., LTD. All Rights Reserved.
In case of consideration for using Automotive equipment / device which demand high reliability, kindly contact our sales window correspondents.



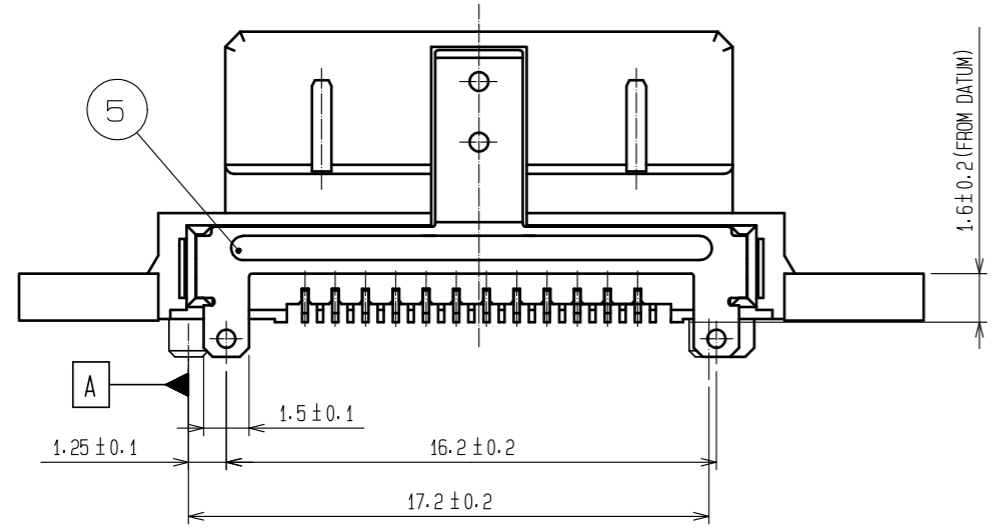
RECOMMENDED PC BOARD HOLE PATTERN(MOUNTING SIDE)
THICKNESS 1mm (SCALE: FREE)



NOTE 1 CO-PLANARITY SPECIFICATION AS SHOWN IN THE FIG BELOW.

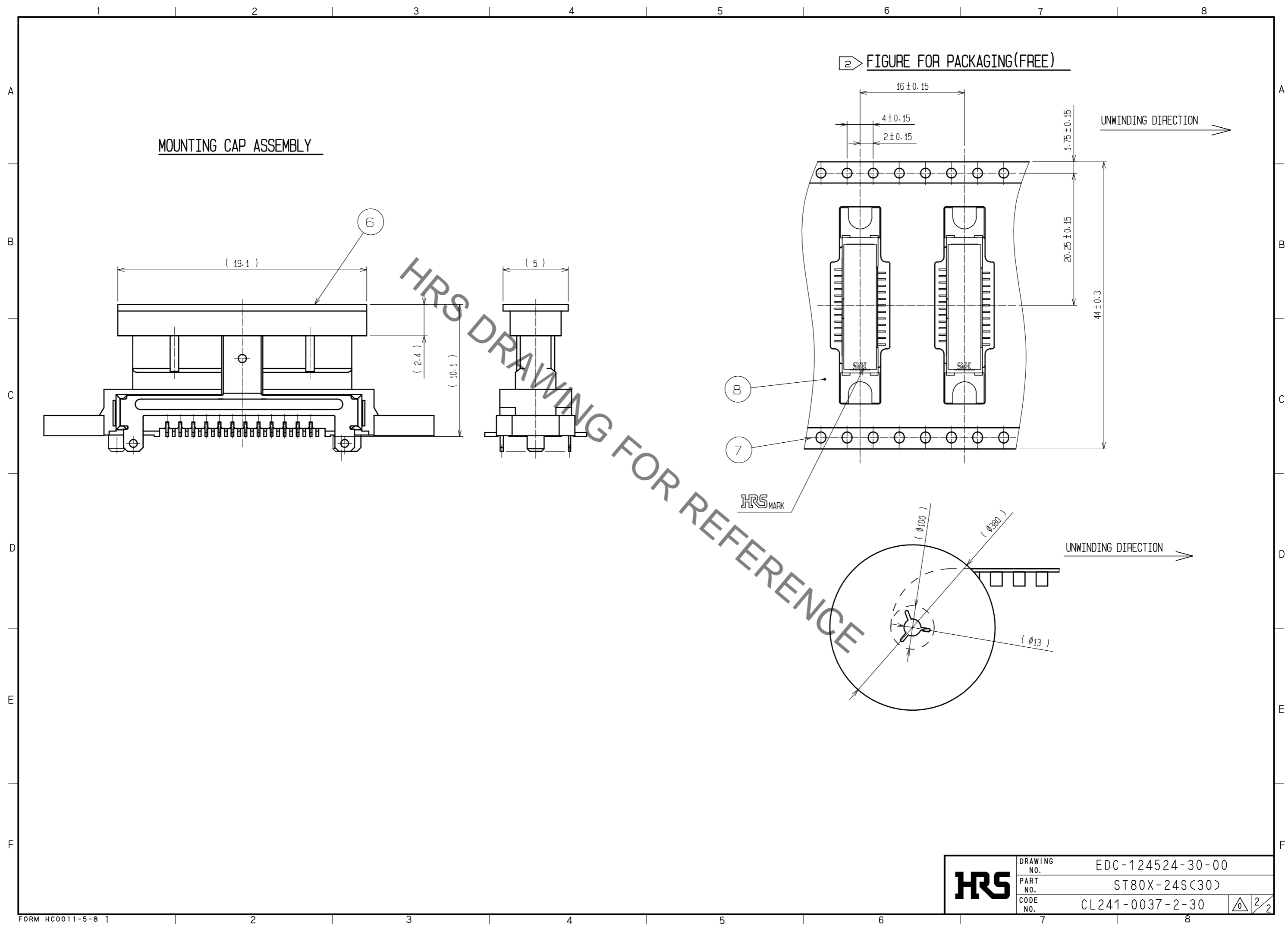


NOTE 2 REEL: 400 PIECES.



3	COPPER ALLOY	CONTACT AREA : SELECTIVE GOLD PLATING	8	PS	
		SOLDERING AREA : GOLD FLASH	7	PS	
2	COPPER ALLOY	CONTACT AREA : SELECTIVE GOLD PLATING	6	PA	(BLACK) UL94V-0
		SOLDERING AREA : GOLD FLASH	5	STAINLESS STEEL	TIN PLATING
1	PA	(BLACK) UL94V-0	4	STAINLESS STEEL	TIN PLATING
NO.	MATERIAL	FINISH . REMARKS	NO.	MATERIAL	FINISH . REMARKS
UNITS		SCALE	COUNT	DESCRIPTION OF REVISIONS	
mm		4 : 1		DESIGNED	CHECKED
HRS HIROSE ELECTRIC CO., LTD.		APPROVED : NM. NISHIMATSU	15.10.27	DRAWING NO. EDC-124524-30-00	
		CHECKED : KN. ICHIKAWA	15.10.27	PART NO. ST80X-24S(30)	
		DESIGNED : TS. ITO	15.10.27	CODE NO. CL241-0037-2-30	
		DRAWN : AK. AKIYAMA	15.10.27		

Sep.1.2021 Copyright 2021 HIROSE ELECTRIC CO., LTD. All Rights Reserved.
 In case of consideration for using Automotive equipment / device which demand high reliability, kindly contact our sales window correspondents.



HRS	DRAWING NO.	EDC-124524-30-00
	PART NO.	ST80X-24S(30)
	CODE NO.	CL241-0037-2-30
		2/2

X-ON Electronics

Largest Supplier of Electrical and Electronic Components

Click to view similar products for [I/O Connectors](#) category:

Click to view products by [Hirose](#) manufacturer:

Other Similar products are found below :

[571763P](#) [58098-0628](#) [72.250.1628.2](#) [72.250.2428.2](#) [74720-0505](#) [76.350.0729.0](#) [76871-1403](#) [FCN-244F080-G/1](#) [FCN-260A9920](#) [PCR-E36PM](#) [PCS-XE26MA+](#) [G38A71314B](#) [1571250010](#) [157-22500-3](#) [MS3471L14-19P L/C](#) [192991-0703](#) [172501-4002](#) [172501-6002](#) [FCN-260C008-A/L0](#) [FCN-260C024-AL0](#) [FCN-261Z008](#) [2000314-1](#) [200331-1](#) [PCR-E36FC+](#) [PCS-E28FS+](#) [PCS-XE26SLFD+](#) [PCS-XE26SLFDT+](#) [G730VID08BDC24](#) [U90B2054081210](#) [UE86K842720321](#) [38113800006](#) [DP3AR020WQ1R200](#) [Z4.102.0680.0](#) [500-1040](#) [500-1052](#) [500-1054](#) [ZP-4008-66L](#) [0709821002](#) [DX40-20P\(55\)](#) [5554841-1](#) [MS3474W18-8P-LC*](#) [SM3106F14S-7S-LC](#) [U90B3054061110](#) [U65-E04-4020](#) [ZPF000000000097891](#) [557-262M2-06C](#) [747360449](#) [10099439-003C-TRLF](#) [10137239-0021LF](#) [E9320-001-01](#)