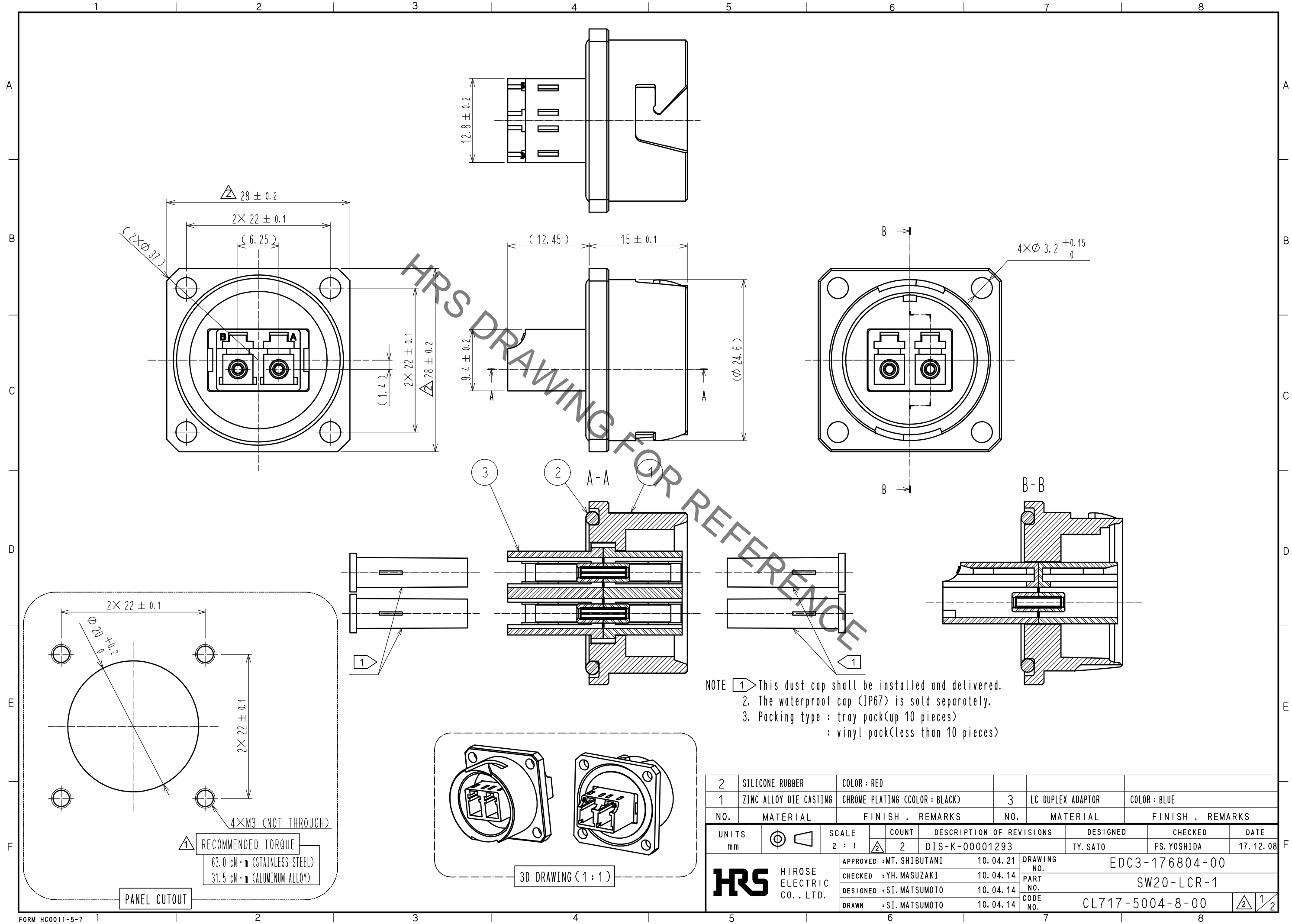


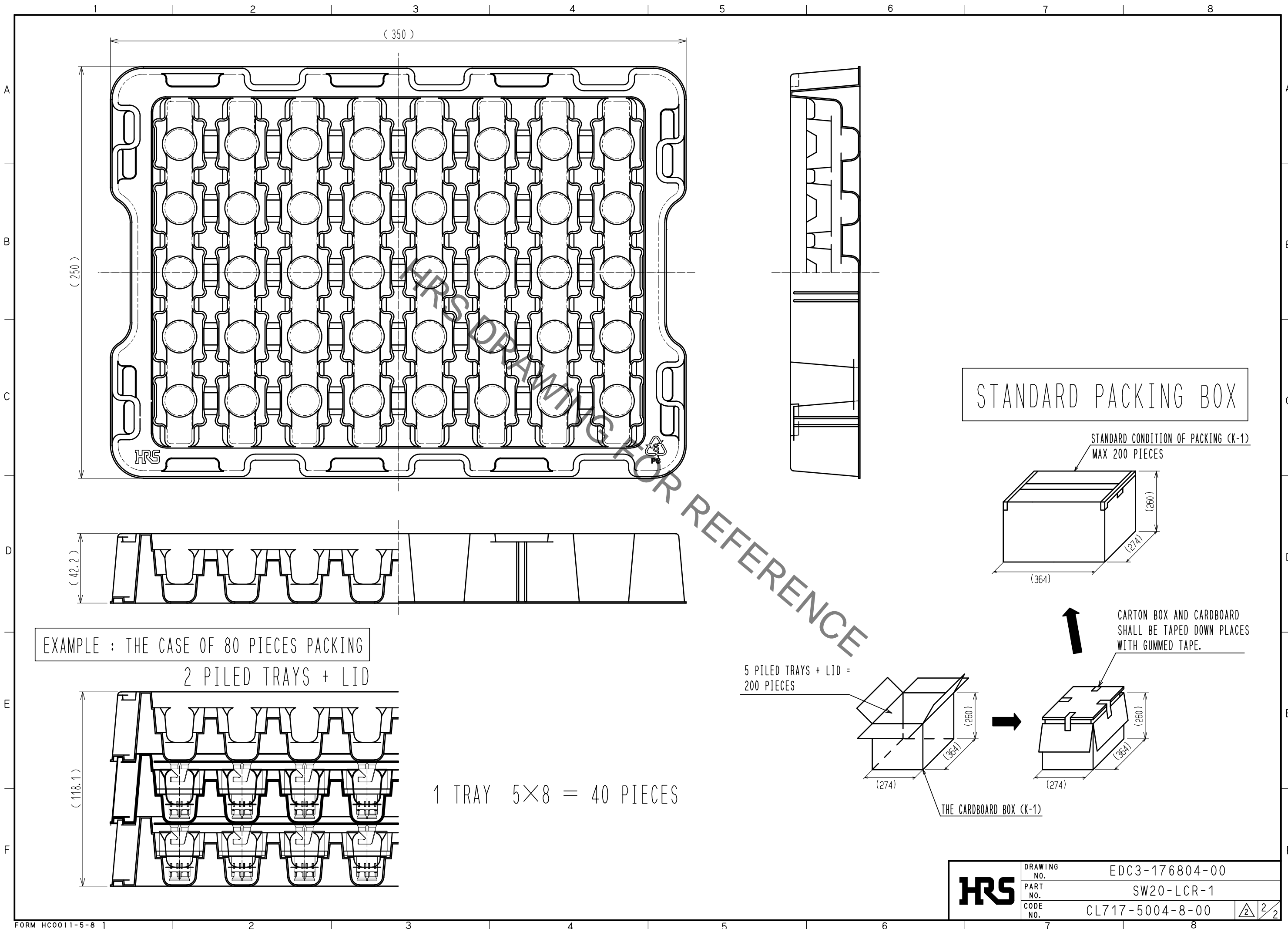
Aug.1.2021 Copyright 2021 HIROSE ELECTRIC CO., LTD. All Rights Reserved.
 In case of consideration for using Automotive equipment / device which demand high reliability, kindly contact our sales window correspondents.



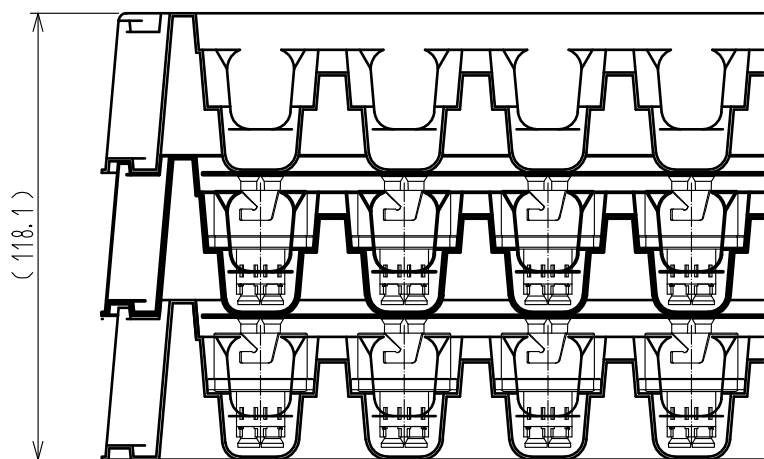
NOTE ① This dust cap shall be installed and delivered.
 ② The waterproof cap (IP67) is sold separately.
 ③ Packing type : tray pack(up 10 pieces)
 : vinyl pack(less than 10 pieces)

2	SILICONE RUBBER	COLOR : RED				
1	ZINC ALLOY DIE CASTING	CHROME PLATING (COLOR : BLACK)	3	LC DUPLEX ADAPTOR	COLOR : BLUE	
NO.	MATERIAL	FINISH . REMARKS	NO.	MATERIAL	FINISH . REMARKS	
UNITS		SCALE	COUNT	DESCRIPTION OF REVISIONS		DESIGNED
mm		2 : 1	2	DIS-K-00001293		TY. SATO
				APPROVED : MT. SHIBUTANI	10.04.21	CHECKED
				CHECKED : YH. MASUZAKI	10.04.14	FS. YOSHIDA
				DESIGNED : SI. MATSUMOTO	10.04.14	DATE
				DRAWN : SI. MATSUMOTO	10.04.14	17.12.08
HRS HIROSE ELECTRIC CO., LTD.				DRAWING NO. EDC3-176804-00		
				PART NO. SW20-LCR-1		
				CODE NO. CL717-5004-8-00		
						$\frac{1}{2}$

Aug.1.2021 Copyright 2021 HIROSE ELECTRIC CO., LTD. All Rights Reserved.
 In case of consideration for using Automotive equipment / device which demand high reliability, kindly contact our sales window correspondents.



EXAMPLE : THE CASE OF 80 PIECES PACKING
 2 PILED TRAYS + LID



1 TRAY 5x8 = 40 PIECES

HRS	DRAWING NO.	EDC3-176804-00	2/2
	PART NO.	SW20-LCR-1	
	CODE NO.	CL717-5004-8-00	

X-ON Electronics

Largest Supplier of Electrical and Electronic Components

Click to view similar products for [Fibre Optic Connectors](#) category:

Click to view products by [Hirose](#) manufacturer:

Other Similar products are found below :

[0004700001](#) [6100-R](#) [6313](#) [F709722200](#) [F709730000](#) [F718183204](#) [F727403500](#) [F727752800](#) [8119](#) [9440F20-27S-190](#) [944-120-6001](#)
[9441F10SL-3S](#) [9444W28-21S](#) [9444W36-10S](#) [9446W20-16S](#) [953-101-5310-P](#) [954-101-57202B](#) [A0270169](#) [12-9122](#) [12-5702](#) [AX101713](#)
[AX102420](#) [AX103923](#) [AX104024](#) [AX104193](#) [AX104230](#) [AX104562](#) [AX105203-B25](#) [AX105205-S1](#) [EHSC2M](#) [17-300800](#) [181-011-126](#)
[181-011-S](#) [181-057-126](#) [NKSOPBUY](#) [20500002116](#) [2064996-1](#) [20800001065](#) [2170](#) [9132](#) [2612](#) [2620](#) [9291](#) [9440F16-10S](#) [9440F20-18S](#)
[9446F16-10S-190](#) [953-106-50231](#) [953-120-5003](#) [955-120-5110](#) [1757711-1](#)