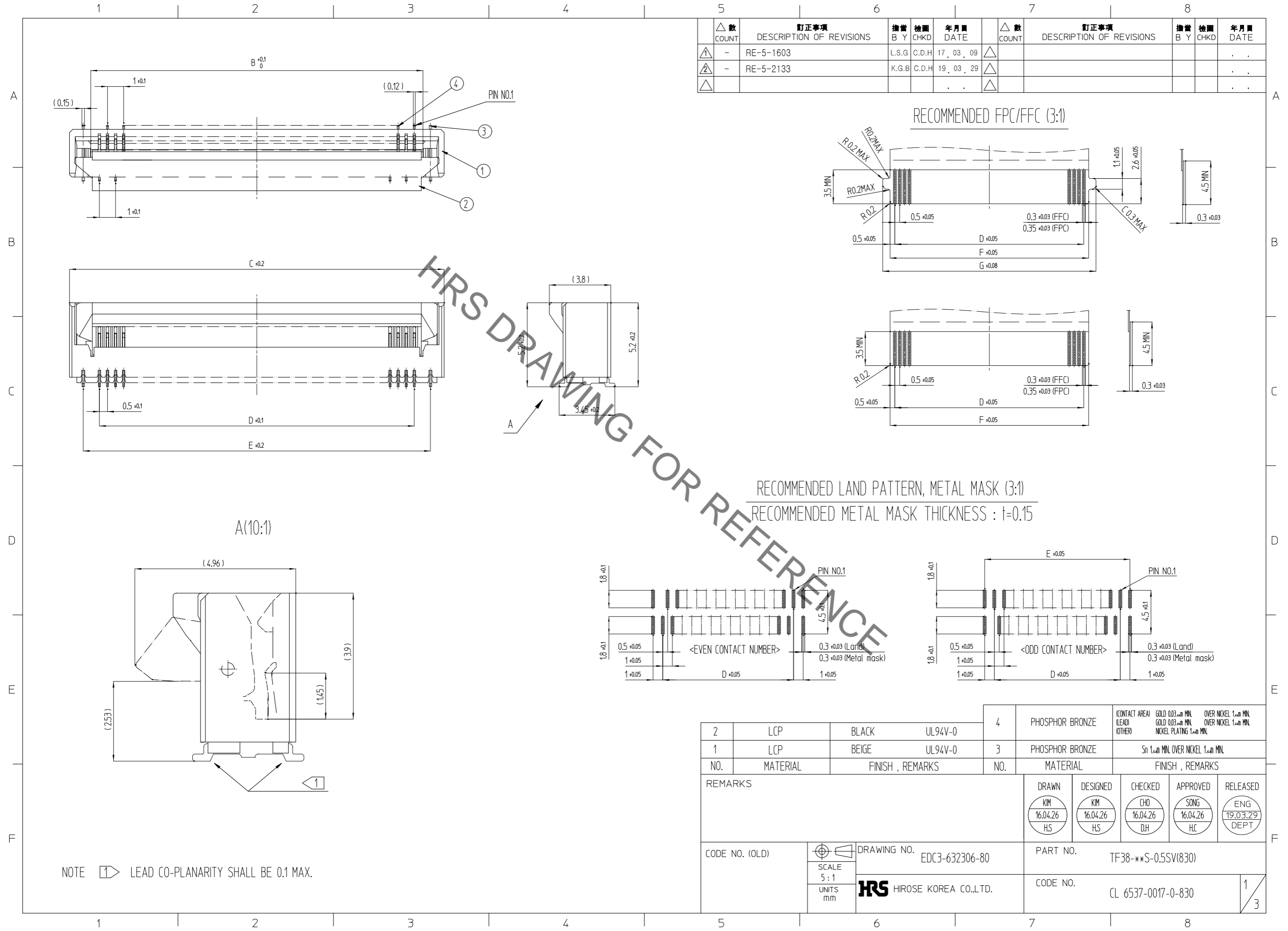
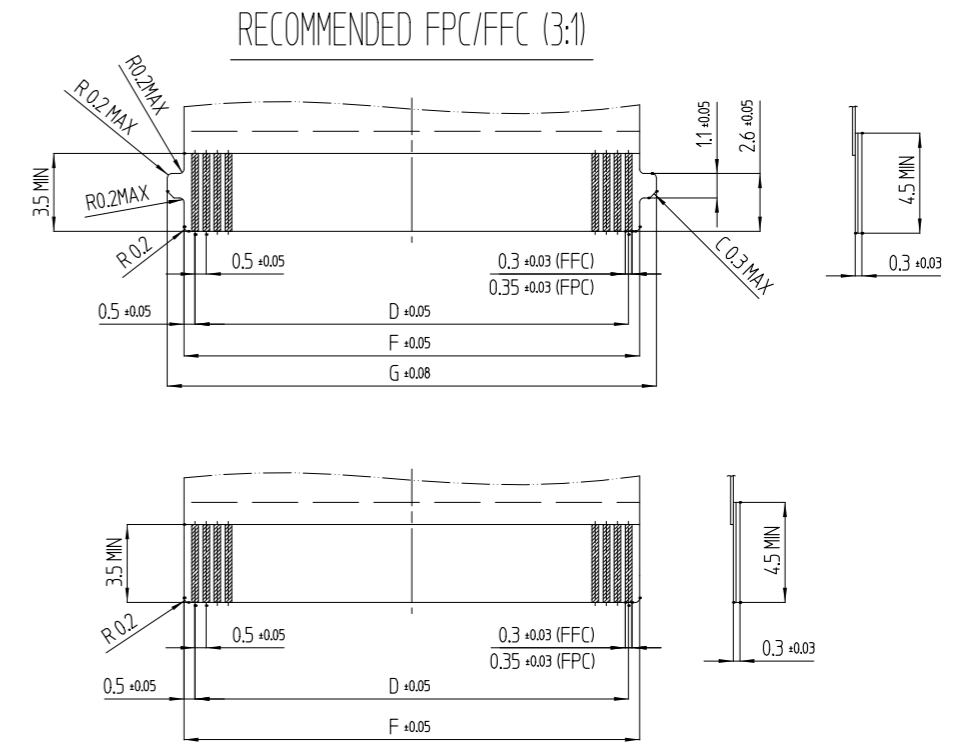


Jan.1.2022 Copyright 2022 HIROSE ELECTRIC CO., LTD. All Rights Reserved.
In case of consideration for using Automotive equipment / device which demand high reliability, kindly contact our sales window correspondents.



△ 數 COUNT	訂正事項 DESCRIPTION OF REVISIONS	描番 B Y	檢圖 CHKD	年月日 DATE	△ 數 COUNT	訂正事項 DESCRIPTION OF REVISIONS	描番 B Y	檢圖 CHKD	年月日 DATE
△	- RE-5-1603	L.S.G	C.D.H	17. 03. 09	△				
△	- RE-5-2133	K.G.B	C.D.H	19. 03. 29	△				
△					△				



NO.	MATERIAL	FINISH , REMARKS	NO.	MATERIAL	FINISH , REMARKS
2	LCP	BLACK UL94V-0	4	PHOSPHOR BRONZE	(CONTACT AREA) GOLD 0.03 μ m MIN. OVER NICKEL 1 μ m MIN. (LEAD) GOLD 0.03 μ m MIN. OVER NICKEL 1 μ m MIN. (OTHER) NICKEL PLATING 1 μ m MIN.
1	LCP	BEIGE UL94V-0	3	PHOSPHOR BRONZE	Sn 1 μ m MIN. OVER NICKEL 1 μ m MIN.

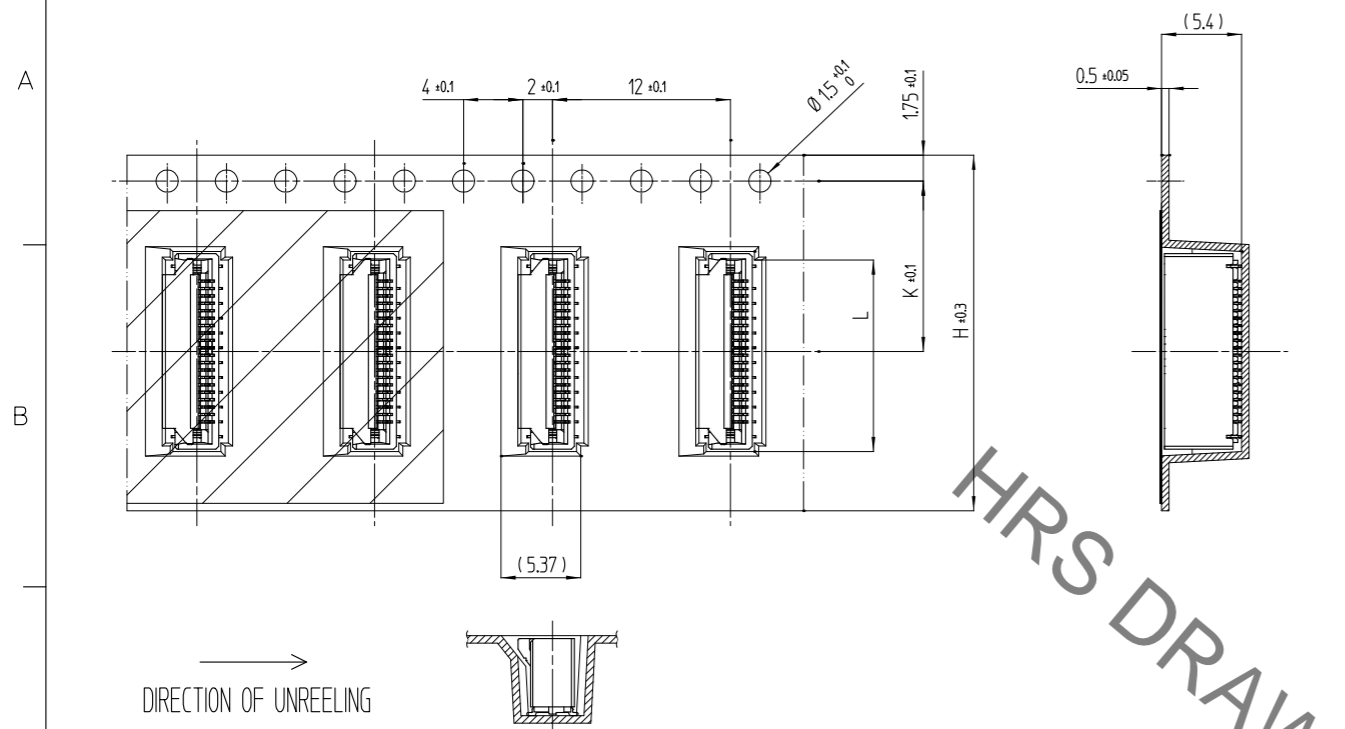
REMARKS	DRAWN	DESIGNED	CHECKED	APPROVED	RELEASED
	KIM 16.04.26 HS	KIM 16.04.26 HS	CHO 16.04.26 DH	SONG 16.04.26 HC	ENG 19.03.29 DEPT

CODE NO. (OLD)	DRAWING NO. EDC3-632306-80	PART NO. TF38-**S-0.5SV(830)
SCALE 5:1 UNITS mm	HRS HIROSE KOREA CO.,LTD.	CODE NO. CL 6537-0017-0-830

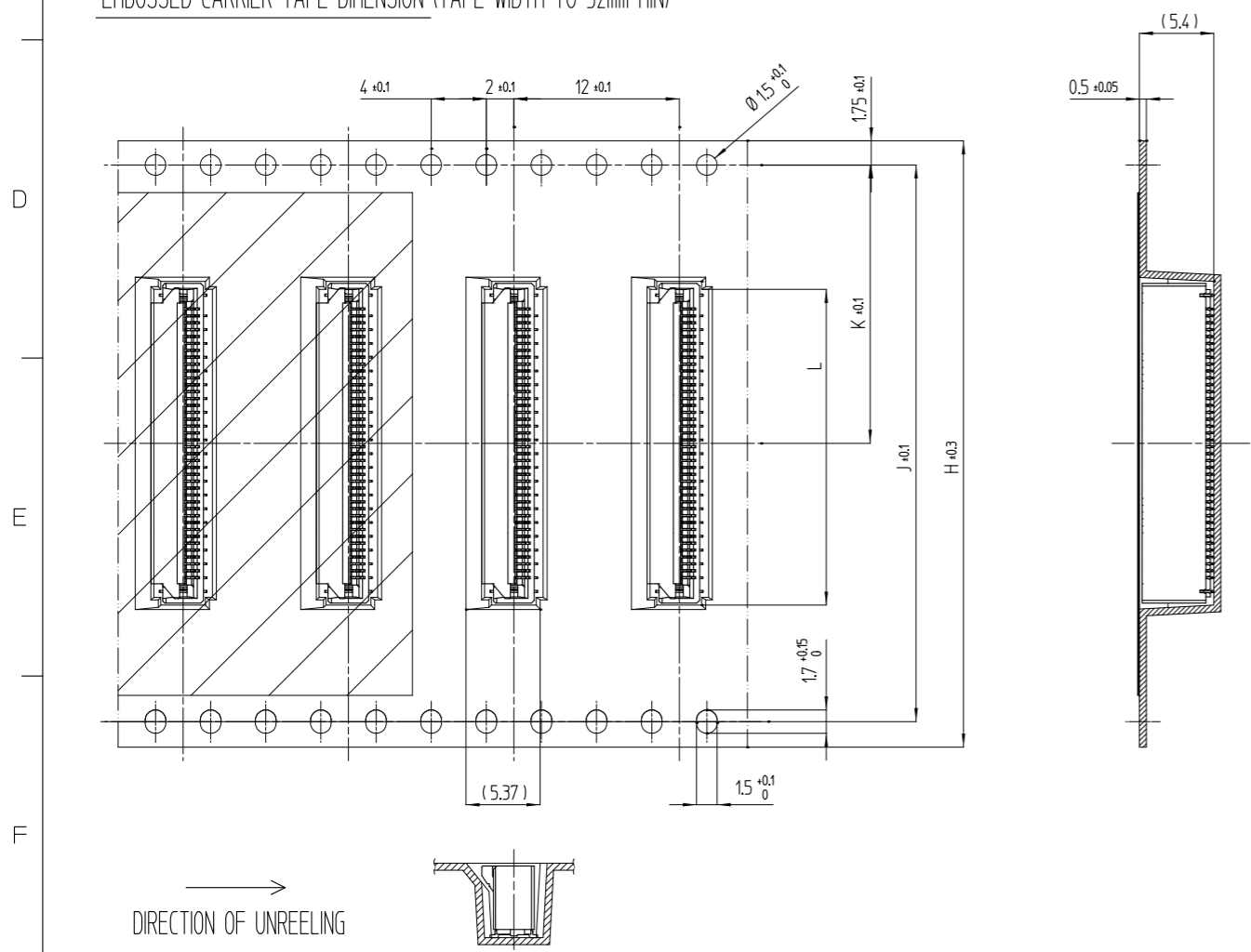
HRS DRAWING FOR REFERENCE

Jan.1.2022 Copyright 2022 HIROSE ELECTRIC CO., LTD. All Rights Reserved.
In case of consideration for using Automotive equipment / device which demand high reliability, kindly contact our sales window correspondents.

EMBOSSED CARRIER TAPE DIMENSION (TAPE WIDTH TO 24mm MAX)

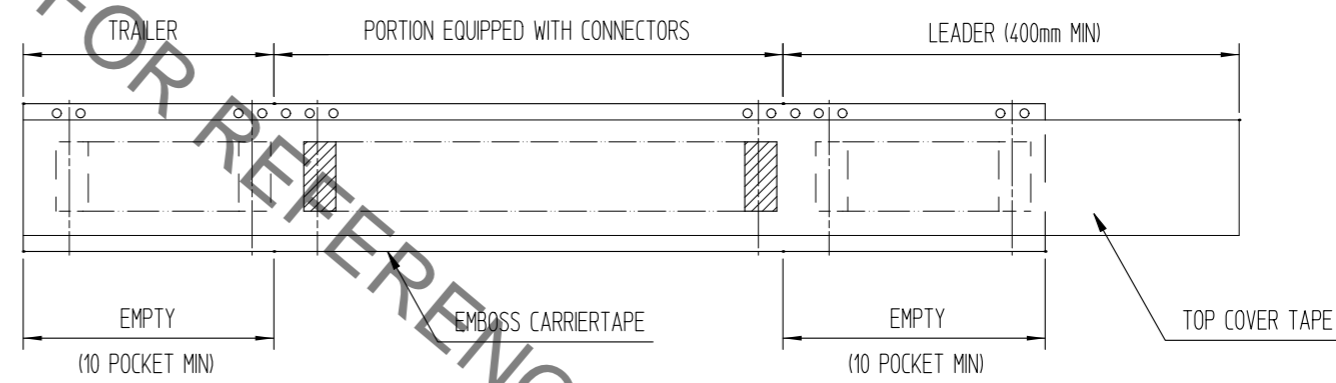
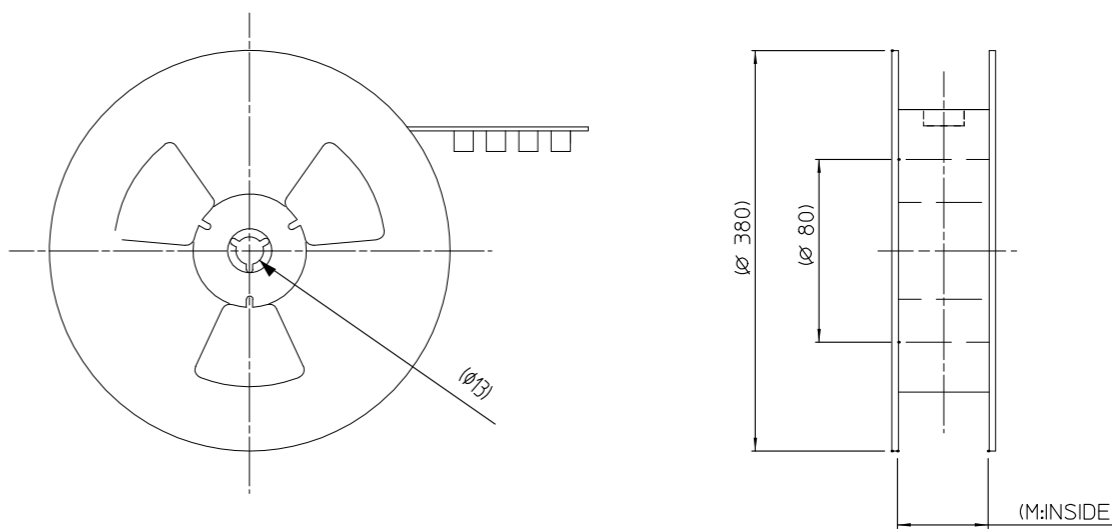


EMBOSSED CARRIER TAPE DIMENSION (TAPE WIDTH TO 32mm MIN)



△ 数 COUNT	訂正事項 DESCRIPTION OF REVISIONS	描出 B Y	検出 CHKD	年月日 DATE	△ 数 COUNT	訂正事項 DESCRIPTION OF REVISIONS	描出 B Y	検出 CHKD	年月日 DATE
△	- RE-5-1603	L.S.G	C.D.H	17. 03. 09	△				
△	- RE-5-2133	K.G.B	C.D.H	19. 03. 29	△				
△					△				

REEL DIMENSION (FREE)



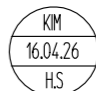

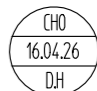


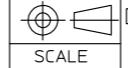

NOTE 2 PER REEL : 1000 CONNECTORS.

NO.	MATERIAL	FINISH , REMARKS	NO.	MATERIAL	FINISH , REMARKS
REMARKS			DRAWN: KIM 16.04.26 HS DESIGNED: KIM 16.04.26 HS CHECKED: CHO 16.04.26 DH APPROVED: SONG 16.04.26 HC RELEASED: ENG 19.03.29 DEPT		
CODE NO. (OLD)		DRAWING NO. EDC3-632306-80		PART NO. TF38-**S-0.5SV(830)	
SCALE 2:1		UNITS mm		CODE NO. CL 6537-0017-0-830	
HRS HIROSE KOREA CO.,LTD.				2/3	

Jan.1.2022 Copyright 2022 HIROSE ELECTRIC CO., LTD. All Rights Reserved.
In case of consideration for using Automotive equipment / device which demand high reliability, kindly contact our sales window correspondents.

△ 數 COUNT	訂正事項 DESCRIPTION OF REVISIONS	擔當 B Y	檢圖 CHKD	年月日 DATE	△ 數 COUNT	訂正事項 DESCRIPTION OF REVISIONS	擔當 B Y	檢圖 CHKD	年月日 DATE
△ -	RE-5-1603	L.S.G	C.D.H	17. 03. 09	△				
△ 1	RE-5-2133	K.G.B	C.D.H	19. 03. 29	△				
△					△				

PART NUMBER	NUMBER OF CONTACTS	DIMENSION OF CONNECTOR, FPC/FFC, PCB PATTERN						DIMENSION OF PACKING				
		B	C	D	E	F	G	H	J	K	L	M
△ TF38-16S-0.5SV(830)	16	8.57	11.2	7.5	9.5	8.5	10	24	-	11.5	11.5	24.5
TF38-18S-0.5SV(830)	18	9.57	12.2	8.5	10.5	9.5	11	24	-	11.5	12.5	24.5
TF38-20S-0.5SV(830)	20	10.57	13.2	9.5	11.5	10.5	12	24	-	11.5	13.5	24.5
TF38-22S-0.5SV(830)	22	11.57	14.2	10.5	12.5	11.5	13	24	-	11.5	14.5	24.5
TF38-24S-0.5SV(830)	24	12.57	15.2	11.5	13.5	12.5	14	24	-	11.5	15.5	24.5
TF38-26S-0.5SV(830)	26	13.57	16.2	12.5	14.5	13.5	15	32	28.4	14.2	16.5	32.5
TF38-30S-0.5SV(830)	30	15.57	18.2	14.5	16.5	15.5	17	32	28.4	14.2	18.5	32.5
TF38-32S-0.5SV(830)	32	16.57	19.2	15.5	17.5	16.5	18	44	40.4	20.2	19.5	44.5
TF38-36S-0.5SV(830)	36	18.57	21.2	17.5	19.5	18.5	20	44	40.4	20.2	21.5	44.5
TF38-38S-0.5SV(830)	38	19.57	22.2	18.5	20.5	19.5	21	44	40.4	20.2	22.5	44.5
TF38-40S-0.5SV(830)	40	20.57	23.2	19.5	21.5	20.5	22	44	40.4	20.2	23.5	44.5
TF38-45S-0.5SV(830)	45	23.07	25.7	22	24	23	24.5	44	40.4	20.2	26	44.5
TF38-50S-0.5SV(830)	50	25.57	28.2	24.5	26.5	25.5	27	44	40.4	20.2	28.5	44.5
TF38-60S-0.5SV(830)	60	30.57	33.2	29.5	31.5	30.5	32	56	52.4	26.2	33.5	56.5

NO.	MATERIAL	FINISH, REMARKS	NO.	MATERIAL	FINISH, REMARKS		
REMARKS							
			DRAWN  16.04.26 HS	DESIGNED  16.04.26 HS	CHECKED  16.04.26 DH	APPROVED  16.04.26 HC	RELEASED  19.03.29 DEPT
CODE NO. (OLD)	 SCALE 1:1 UNITS mm		DRAWING NO. EDC3-632306-80		PART NO. TF38-**S-0.5SV(830)		
	 HIROSE KOREA CO.,LTD.		CODE NO. CL 6537-0017-0-830		<table border="1"> <tr> <td>3</td> </tr> </table>	3	
3							

X-ON Electronics

Largest Supplier of Electrical and Electronic Components

Click to view similar products for [FFC & FPC Connectors](#) category:

Click to view products by [Hirose](#) manufacturer:

Other Similar products are found below :

[FPH-1422G](#) [FPH-1602G](#) [K-FC20](#) [FH29B-80S-0.2SHW\(99\)](#) [FPH-2022G](#) [AYF332735](#) [52610-1075](#) [52610-1275](#) [52610-1934](#) [501864-3091-TR225](#) [086222026001800](#) [52610-0675](#) [62684-36210E9ALF](#) [52746-1671-TR250](#) [10051922-2810EHLF](#) [6-520415-9](#) [SFV6R-1STE9HLF](#) [XF3M-2915-1B-R100](#) [1658549-1](#) [AYF534065TA](#) [AYF351525](#) [086212040340800+](#) [AYF530365TA](#) [67000-014LF](#) [67000-004LF](#) [006207341915000+](#) [DS1020-19RT1D](#) [67000-003LF](#) [67000-011LF](#) [67000-016LF](#) [HFW14R-2STE9LF](#) [SFV32R-2STBE9HLF](#) [SFW12R-5STE9LF](#) [SFW18R-1STAE9LF](#) [SFW4R-5STE9LF](#) [52807-0430](#) [046283021002868+](#) [THD1015-8CL-SN](#) [67000-006LF](#) [502250-8027](#) [104267-9617](#) [66987-011LF](#) [AYF362535](#) [F0501-T-50-20T-R](#) [F1003-ZV-12-25T-R](#) [HFW8S-2STAE1HLF](#) [67000-008LF](#) [67000-012LF](#) [ECC576069EU](#) [F1002-B-20-20T-R](#)