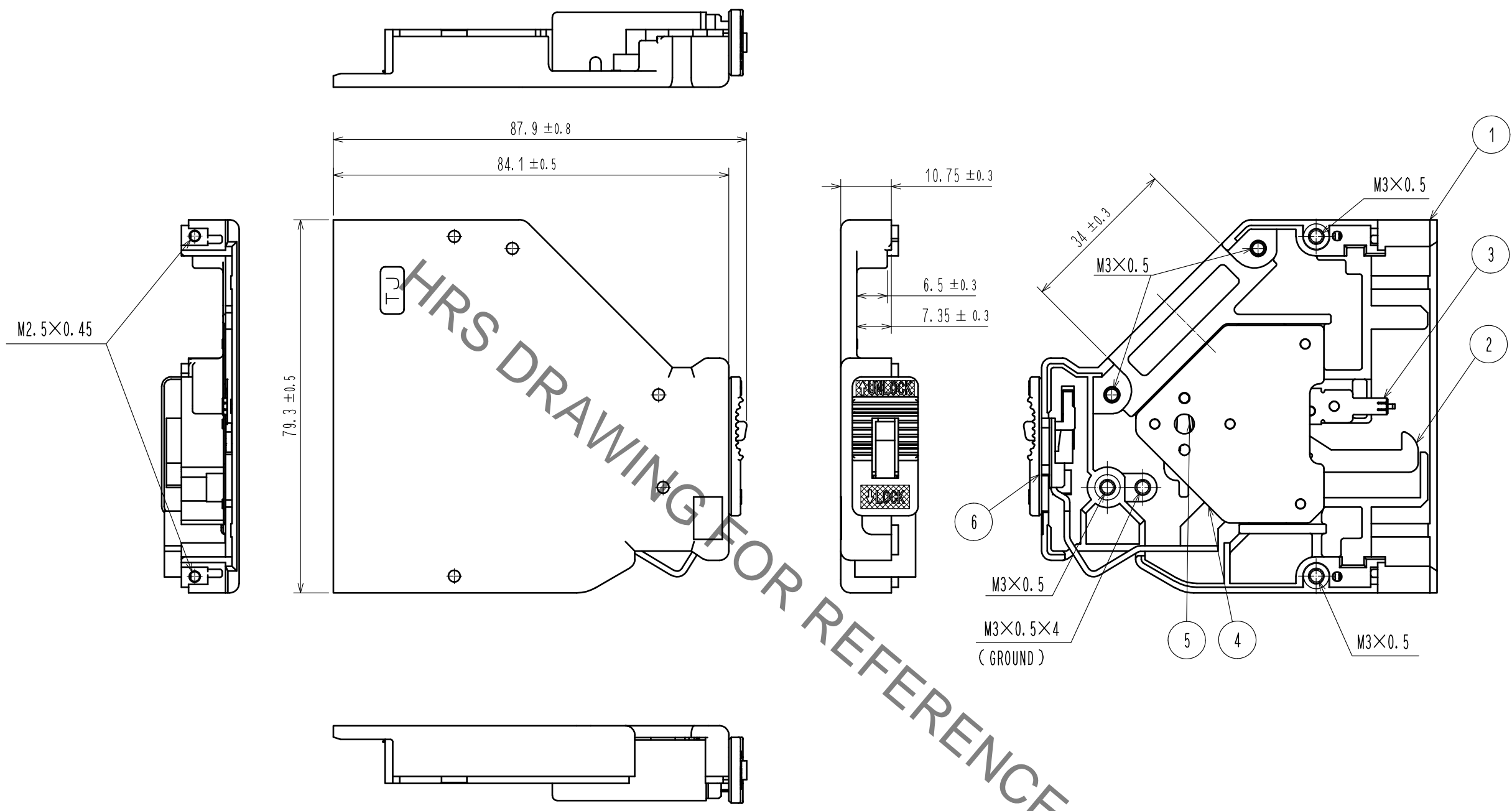


Sep.1.2021 Copyright 2021 HIROSE ELECTRIC CO., LTD. All Rights Reserved.
In case of consideration for using Automotive equipment / device which demand high reliability, kindly contact our sales window correspondents.

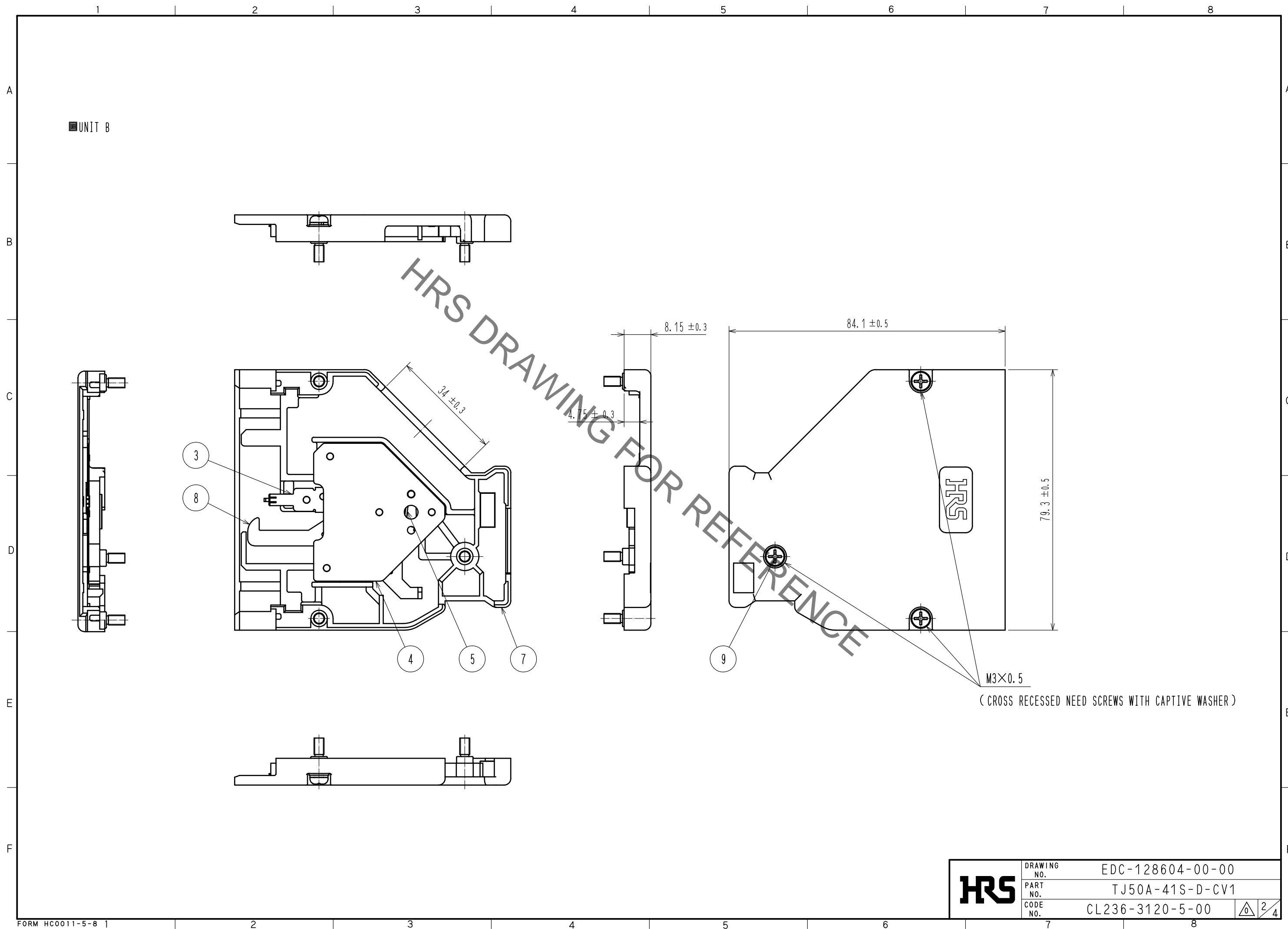
UNIT A



- NOTE 1. THE RECOMMENDED TIGHTENING TORQUE OF CAVER AND GROUND TO BE $0.315 \pm 0.06 \text{ N} \cdot \text{m}$.
THE RECOMMENDED TIGHTENING TORQUE OF CLAMP TO BE $0.63 \pm 0.12 \text{ N} \cdot \text{m}$.
2. THE RECOMMENDED TIGHTENING TORQUE OF CODING KEY TO BE $0.18 \pm 0.03 \text{ N} \cdot \text{m}$.
3. UNIT A TO BE ASSEMBLED TO FEMALE HOUSING D FOR FIG. 1
4. CODING KEY, AVAILABLE SEPARATELY, SHALL BE ATTACHED TO THIS PRODUCT AFTER ASSEMBLY.

6	PBT	BLACK, UL94V-0	12	STEEL	NICKEL PLATING M3×0.5
5	STAINLESS STEEL		11	STEEL	NICKEL PLATING
4	STAINLESS STEEL		10	PBT	BLACK, UL94V-0
3	PHOSPHOR BRONZE	NICKEL PLATING	9	STEEL	NICKEL PLATING M3×0.5
2	STAINLESS STEEL		8	STAINLESS STEEL	
1	ALUMINUM ALLOY	UNDER NICKEL PLATING + CHROME PLATING	7	ALUMINUM ALLOY	UNDER NICKEL PLATING + CHROME PLATING
NO.	MATERIAL	FINISH . REMARKS	NO.	MATERIAL	FINISH . REMARKS
UNITS mm		SCALE 1 : 1	COUNT	DESCRIPTION OF REVISIONS	
DESIGNED		CHECKED		DATE	
APPROVED : NM. NISHIMATSU			15.04.28	DRAWING NO. EDC-128604-00-00	
CHECKED : NM. NISHIMATSU			15.04.28	PART NO. TJ50A-41S-D-CV1	
DESIGNED : MO. SHIMOYAMA			15.04.28	CODE NO. CL236-3120-5-00	
DRAWN : MO. SHIMOYAMA			15.04.28	1/4	

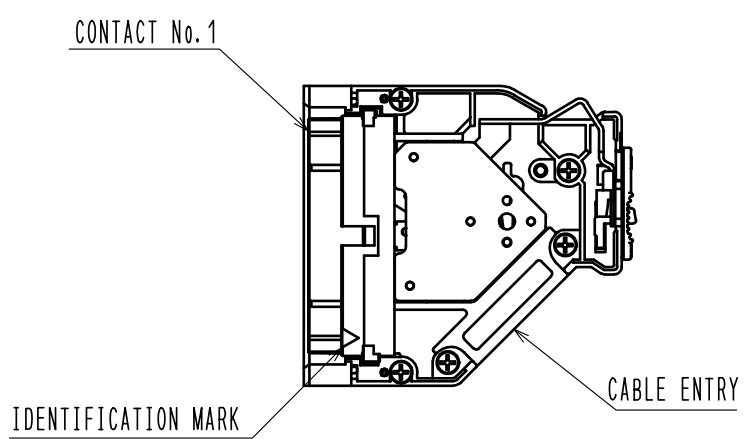
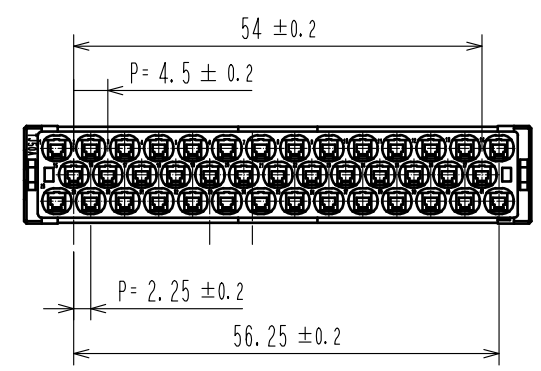
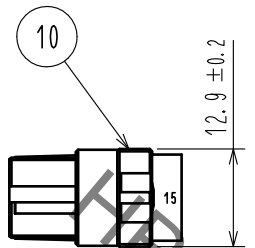
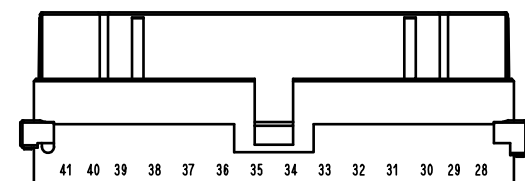
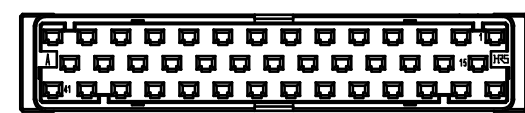
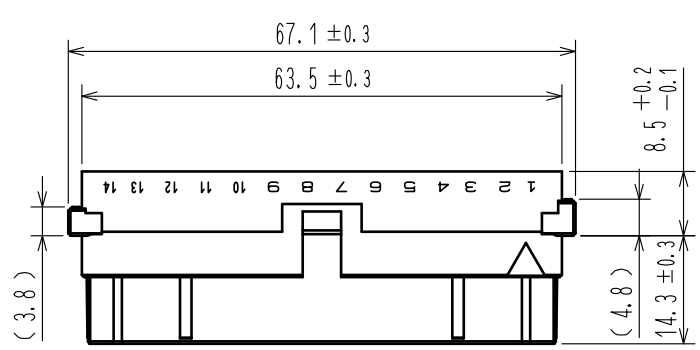
Sep.1.2021 Copyright 2021 HIROSE ELECTRIC CO., LTD. All Rights Reserved.
In case of consideration for using Automotive equipment / device which demand high reliability, kindly contact our sales window correspondents.



HRS	DRAWING NO.	EDC-128604-00-00
	PART NO.	TJ50A-41S-D-CV1
	CODE NO.	CL236-3120-5-00
		2/4

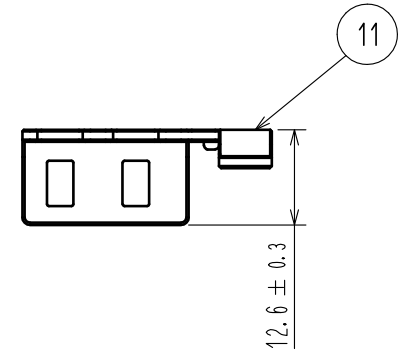
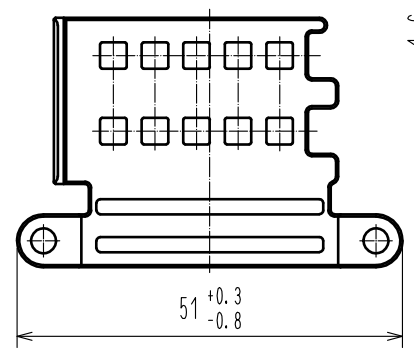
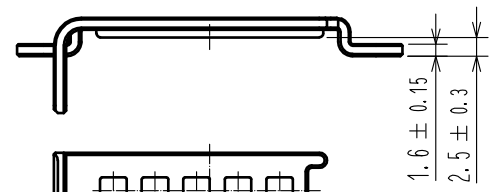
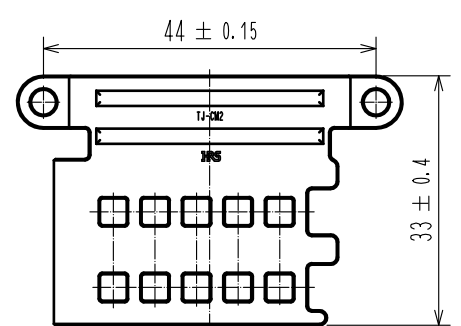
Sep.1.2021 Copyright 2021 HIROSE ELECTRIC CO., LTD. All Rights Reserved.
 In case of consideration for using Automotive equipment / device which demand high reliability, kindly contact our sales window correspondents.

■ FEMALE HOUSING D (ATTACHED PARTS)

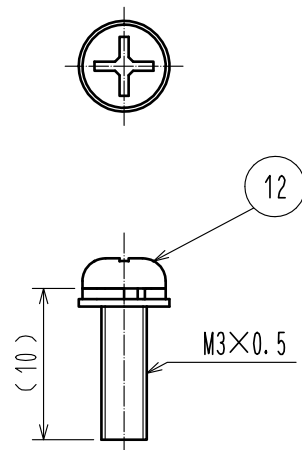


3 FIG. 1 ASSEMBLY DRAWING (1:2)

■ CLAMP METAL (ATTACHED PARTS)



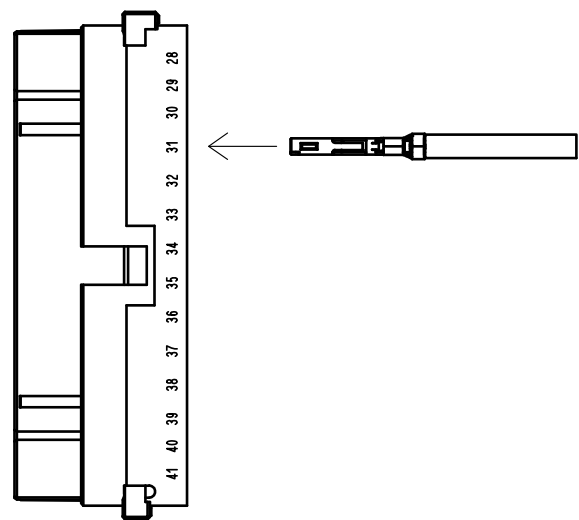
■ SCREW FOR CLAMP METAL (ATTACHED PARTS) (2:1)
 (CROSS RECESSED NEED SCREWS WITH CAPTIVE WASHER)



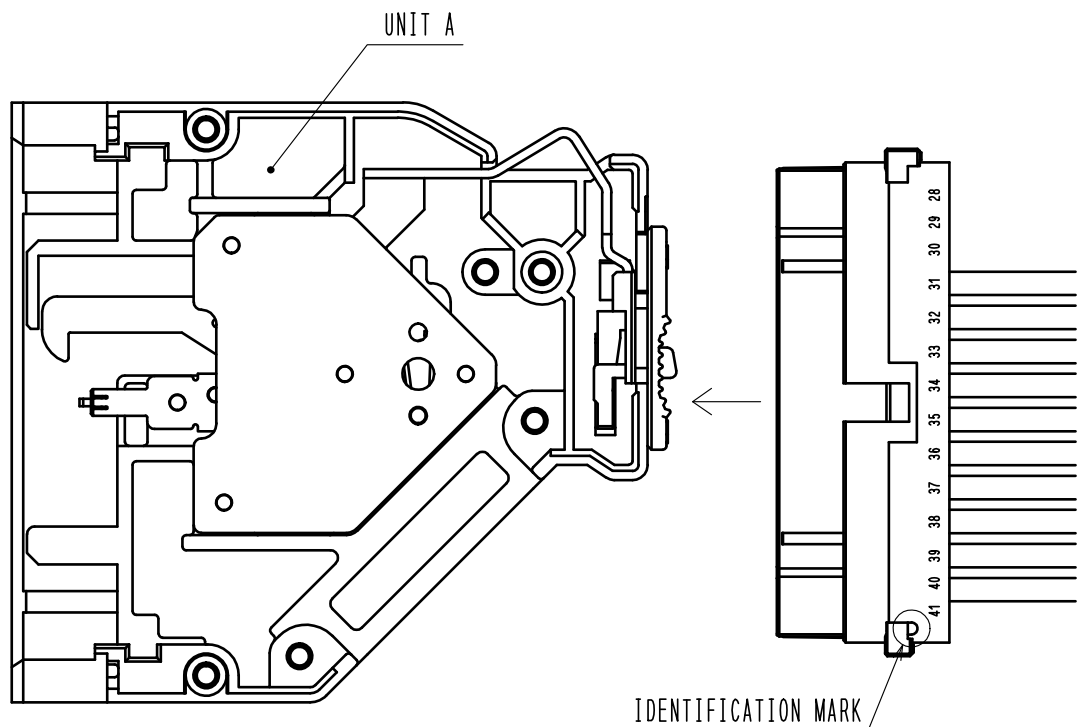
HRS DRAWING FOR REFERENCE

HRS	DRAWING NO.	EDC-128604-00-00
	PART NO.	TJ50A-41S-D-CV1
	CODE NO.	CL236-3120-5-00
		3/4

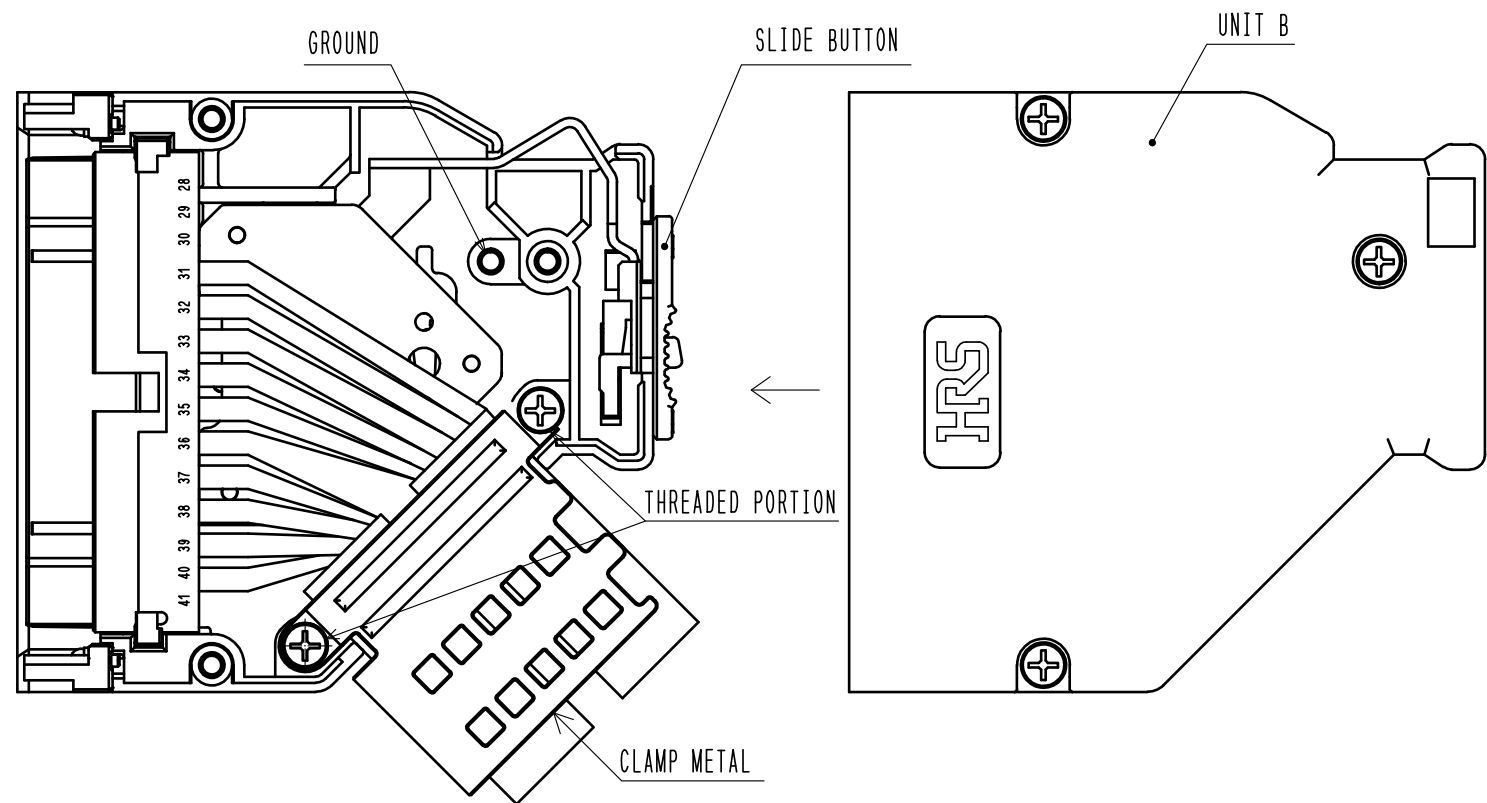
Sep.1.2021 Copyright 2021 HIROSE ELECTRIC CO., LTD. All Rights Reserved.
In case of consideration for using Automotive equipment / device which demand high reliability, kindly contact our sales window correspondents.



① DEEPLY INSERT REQUIRED NUMBER OF CRIMPED CONTACT, WHICH IS SEPARATELY AVAILABLE AND CRIMPED BY SPECIAL CRIMPING TOOL, TO MALE HOUSING D. REFER TO ATAI-E3050 FOR CRIMPING QUALITY STANDARDS.



② PUT MALE HOUSING D WITH CONTACTS TO UNIT A AS THE IDENTIFICATION MARK IS VISIBLE. (REVERSED ASSEMBLY IS STRUCTURALLY PREVENTED.)

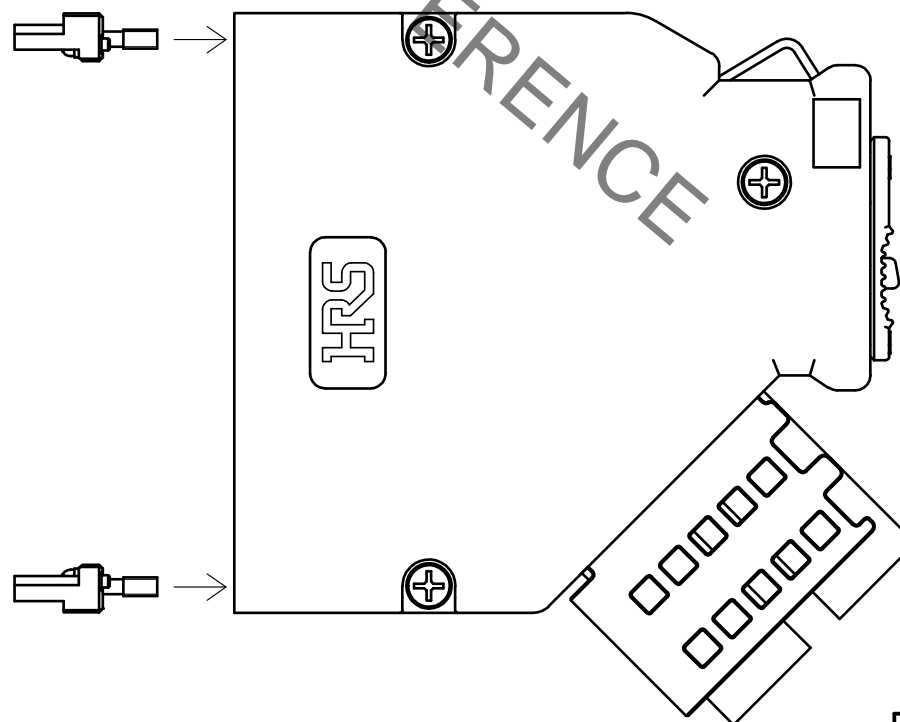


③ ATTACH THE CLAMP METAL TO UNIT A TO FIX THE CABLES. MAKE SURE THAT THE SLIDE BUTTON IS POSITIONED AS SHOWN IN THE FIGURE ABOVE. THEN COVER WITH UNIT B AND FASTEN WITH SCREWS AT 3 POINTS. (A RECOMMEND TORQUE FOR SCREW $0.315 \pm 0.06N \cdot m$)

<GROUND CONNECTION>

WHEN GROUNDING WITH CLAMP METAL, WRAP THE SHIELDED MESH WITH COPPER TAPE AND FIX THEM WITH CLAMP METAL. IF CLAMP METAL DOESN'T TOUCH COPPER TAPE DEPENDING ON THE NUMBER OF CABLE AND ITS STYLE, ADJUST THICKNESS WITH VINYL TAPE, COPPER TAPE AND SUCH.

WHEN GROUNDING WITH COMMERCIAL ROUND TERMINAL, FASTEN CRIMPED ROUND TERMINAL AT ERATH WIRE CONNECTION AREA WITH M3 SCREW. (A RECOMMEND TORQUE FOR SCREW $0.315 \pm 0.06N \cdot m$)



④ TIGHTEN THE PLUG WITH COADING KEY, SEPARATELY AVAILABLE. (A RECOMMEND TORQUE FOR SCREW $0.18 \pm 0.03N \cdot m$)

※REFER TO ATAD-E3051 FOR ASSEMBLY.

HRS	DRAWING NO.	EDC-128604-00-00	4/4
	PART NO.	TJ50A-41S-D-CV1	
	CODE NO.	CL236-3120-5-00	

X-ON Electronics

Largest Supplier of Electrical and Electronic Components

Click to view similar products for [I/O Connectors](#) category:

Click to view products by [Hirose](#) manufacturer:

Other Similar products are found below :

[571763P](#) [58098-0628](#) [72.250.1628.2](#) [72.250.2428.2](#) [74720-0505](#) [76.350.0729.0](#) [76871-1403](#) [FCN-244F080-G/1](#) [FCN-260A9920](#) [PCR-E36PM](#) [PCS-XE26MA+](#) [G38A71314B](#) [1571250010](#) [157-22500-3](#) [MS3471L14-19P L/C](#) [192991-0703](#) [172501-4002](#) [172501-6002](#) [FCN-260C008-A/L0](#) [FCN-260C024-AL0](#) [FCN-261Z008](#) [2000314-1](#) [200331-1](#) [PCR-E36FC+](#) [PCS-E28FS+](#) [PCS-XE26SLFD+](#) [PCS-XE26SLFDT+](#) [G730VID08BDC24](#) [U90B2054081210](#) [UE86K842720321](#) [38113800006](#) [DP3AR020WQ1R200](#) [Z4.102.0680.0](#) [500-1040](#) [500-1052](#) [500-1054](#) [ZP-4008-66L](#) [0709821002](#) [DX40-20P\(55\)](#) [5554841-1](#) [MS3474W18-8P-LC*](#) [SM3106F14S-7S-LC](#) [U90B3054061110](#) [U65-E04-4020](#) [ZPF000000000097891](#) [557-262M2-06C](#) [747360449](#) [10099439-003C-TRLF](#) [10137239-0021LF](#) [E9320-001-01](#)