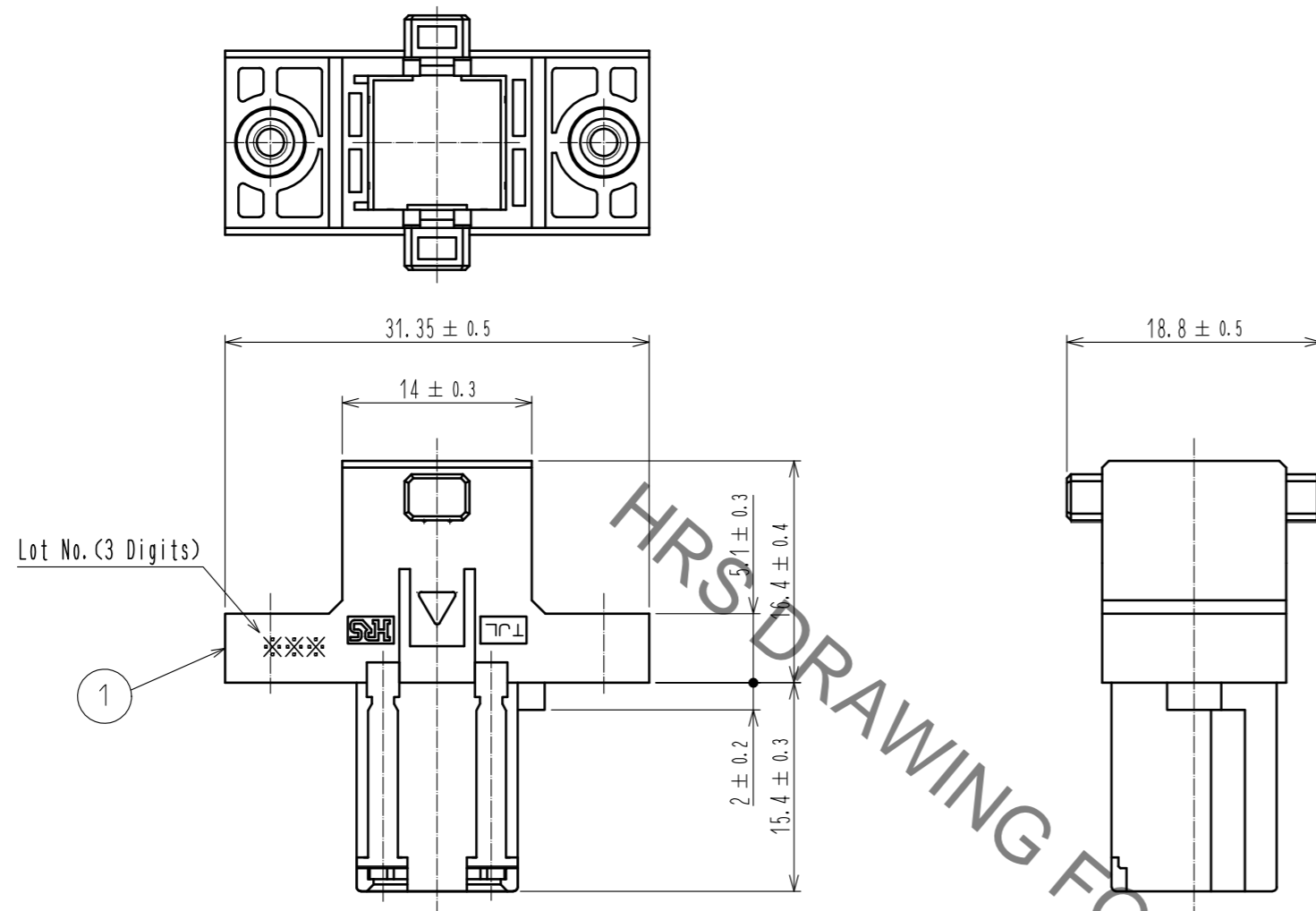
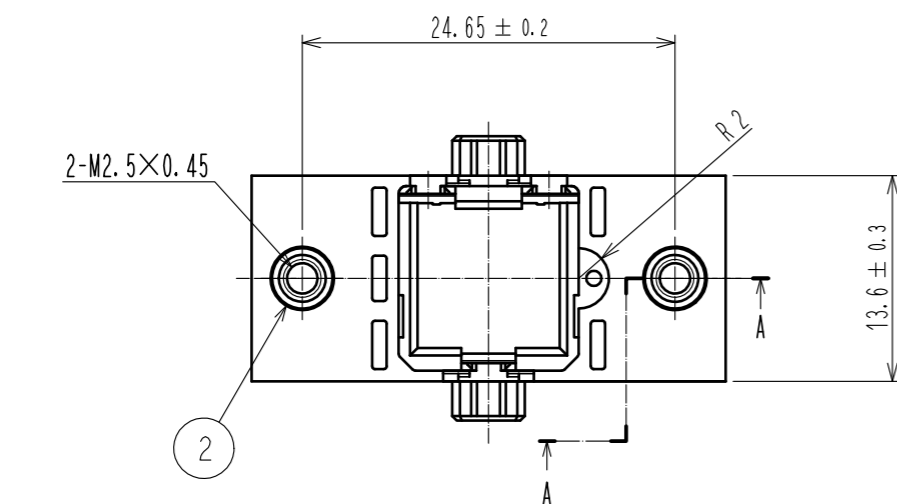
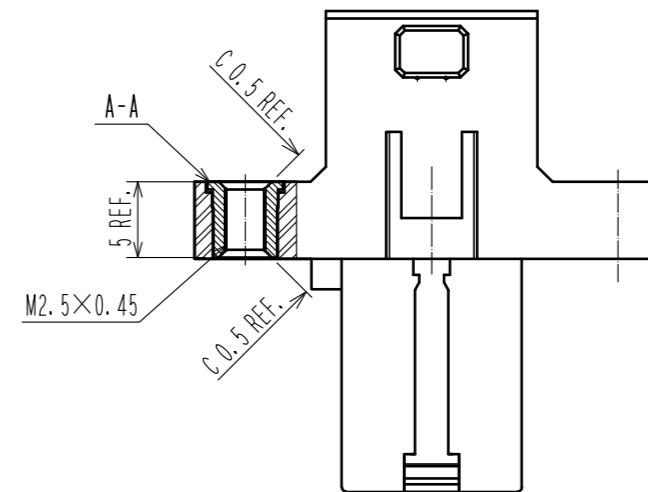


Sep.1.2021 Copyright 2021 HIROSE ELECTRIC CO., LTD. All Rights Reserved.
In case of consideration for using Automotive equipment / device which demand high reliability, kindly contact our sales window correspondents.



No.	Part name
①	J-Case (1)
②	Insertion nut
③	Hood (1)
④	Clamp 1 (6.6)
⑤	Pan head machine screw



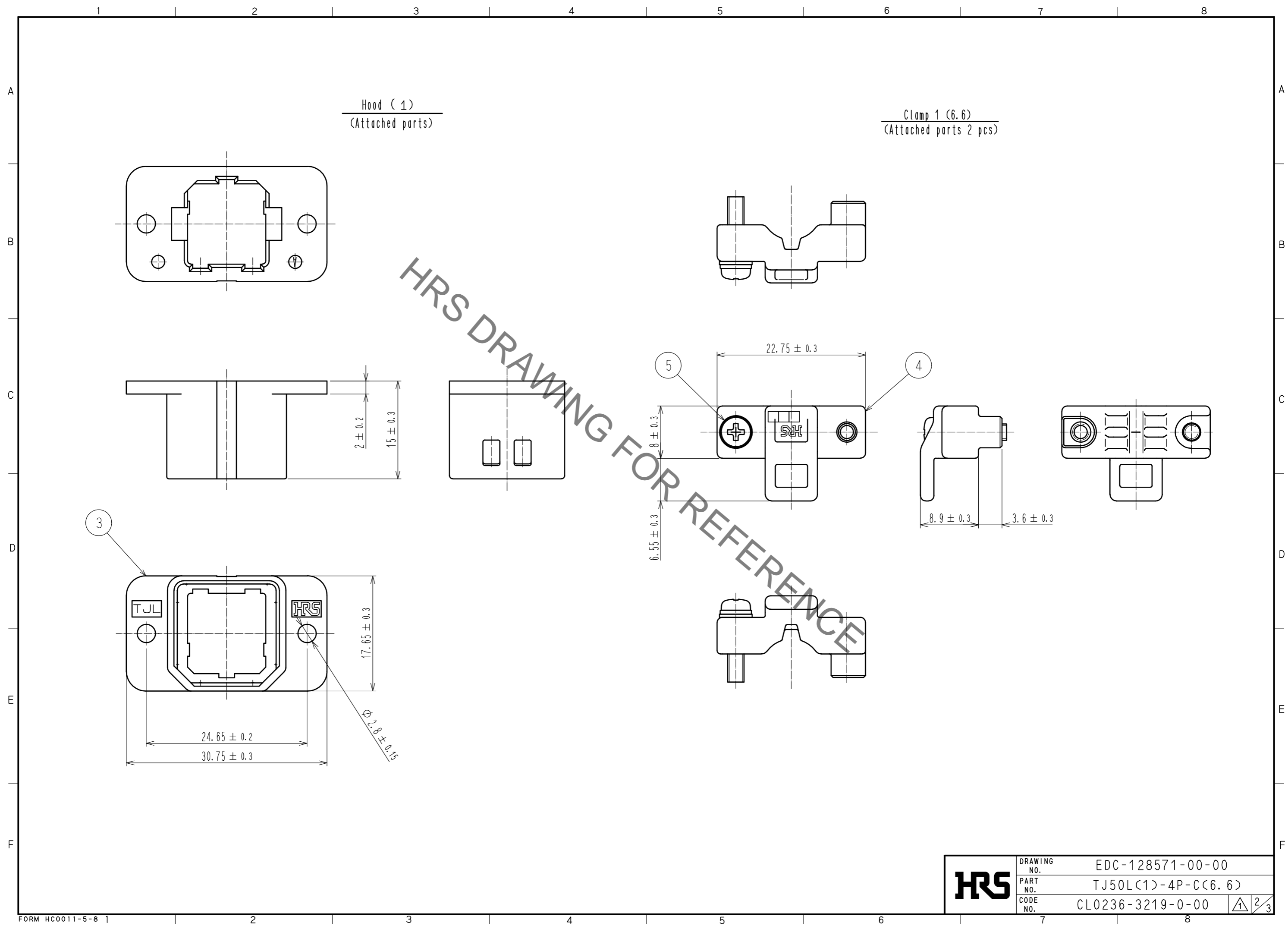
- Note 1. This product will be mated with the TJ*L series 1 port plug. The TJ50L-4P-UNIT will be inserted in this product. Please check the ETAD-E3078 assembly manual for further details.
- ② The key to prevent a mismatching (sold separately) can be inserted in the places which are shown in the drawing.
- ③ The recommended tightening torque of the pan head machine screw to be $0.36 \pm 0.07 \text{ N} \cdot \text{m}$. To ensure a good balance between left and right, please tighten the pan head machine screws alternately.
- ④ The recommended tightening torque of a screw to fasten this product with the panel to be $0.36 \pm 0.07 \text{ N} \cdot \text{m}$.
- ⑤ The shortest clearance distance between the TJ50L-4P-UNIT J-Shield plate and the panel is $1.95 \pm 0.3 \text{ mm}$.
6. As a countermeasure for vibration, please fixate the cable in between of 150 mm from the clamp fittings.
7. The applicable cable profile (outer diameter) is $\phi 6.6 \pm 0.2 \text{ mm}$.

NO.	MATERIAL	FINISH . REMARKS	NO.	MATERIAL	FINISH . REMARKS
3	PPS resin	Beige UL94V-0	4	Zinc alloy	Under : Copper Plating 10μm MIN. Surface : Nickel Plating 5μm MIN.
2	Brass	Nickel plating M2.6×0.45			
1	PBT resin	Dark grey UL94V-0	5	Steel	M2.5×0.45 Surface : Zinc Plating 3μm MIN. Finish : Trivalent chromate treatment

UNITS	SCALE	COUNT	DESCRIPTION OF REVISIONS	DESIGNED	CHECKED	DATE
mm	2 : 1	2	DIS-E-00004258	HY. MATSUDA	TU. TANIGUCHI	20210226

APPROVED	CHECKED	DESIGNED	DRAWN	DRAWING NO.	PART NO.	CODE NO.
RI. TAKAYASU	AH. KODAMA	TA. TORIHARA	TA. TORIHARA	EDC-128571-00-00	TJ50L(1)-4P-C(6.6)	CL0236-3219-0-00

Sep.1.2021 Copyright 2021 HIROSE ELECTRIC CO., LTD. All Rights Reserved.
 In case of consideration for using Automotive equipment / device which demand high reliability, kindly contact our sales window correspondents.



Hood (1)
 (Attached parts)

Clamp 1 (6.6)
 (Attached parts 2 pcs)

3

5

4



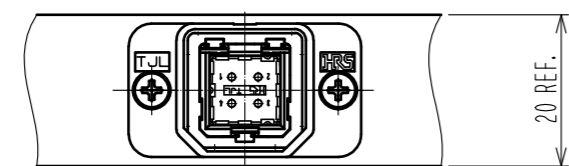
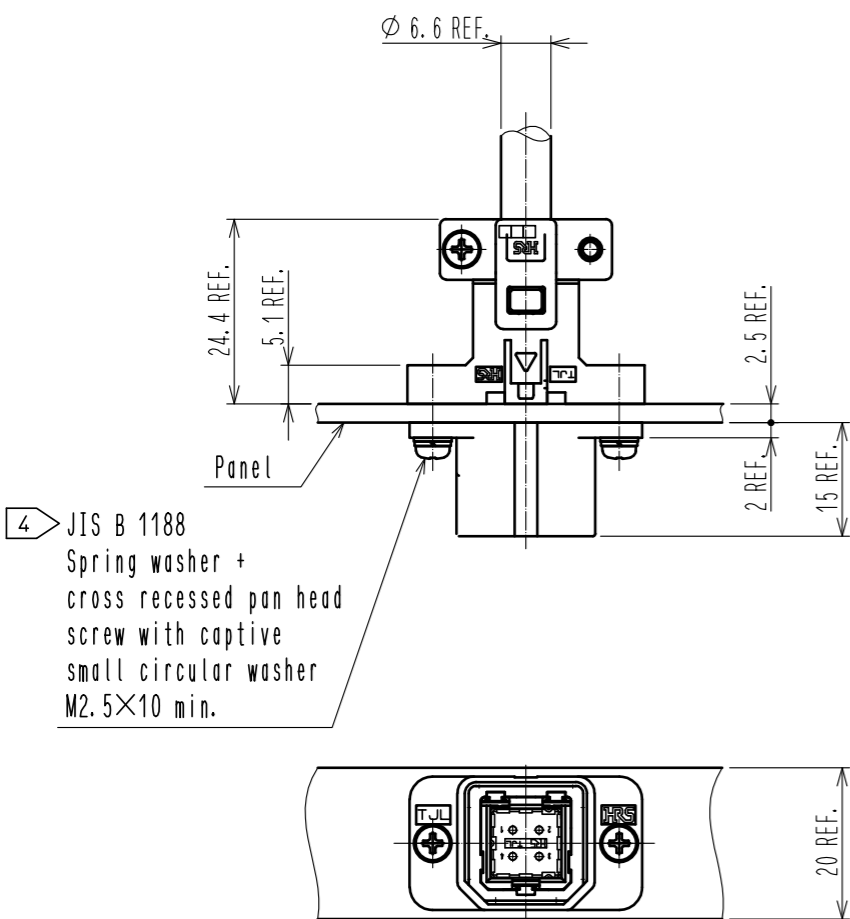
DRAWING NO.	EDC-128571-00-00
PART NO.	TJ50L(1)-4P-C(6.6)
CODE NO.	CL0236-3219-0-00

2/3

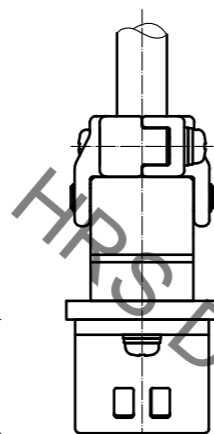
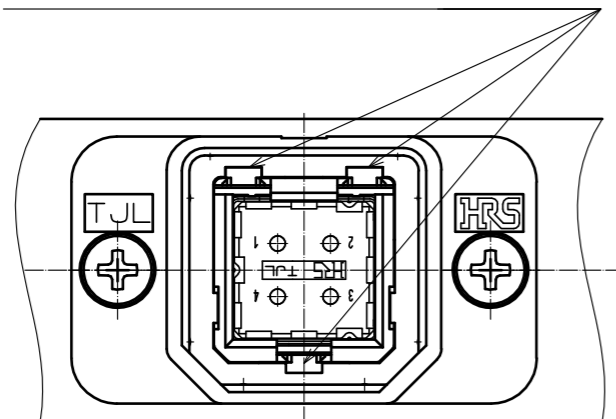
Sep.1.2021 Copyright 2021 HIROSE ELECTRIC CO., LTD. All Rights Reserved.
In case of consideration for using Automotive equipment / device which demand high reliability, kindly contact our sales window correspondents.

Mounted state drawing (Cable & Panel) (1:1)

Thickness of compatible panel: 1.6~2.5mm



Key to prevent mismatching (sold separately)
(Part number:TJL-KY, Code number:CL236-3209-7-00)



Hood (1)

4 JIS B 1188
Spring washer + cross recessed
pan head screw with captive
small circular washer M2.5x10 min.

J-Case (1) assembled product

5 Panel

Exploded view drawing (FREE)

3 Pan head machine screw

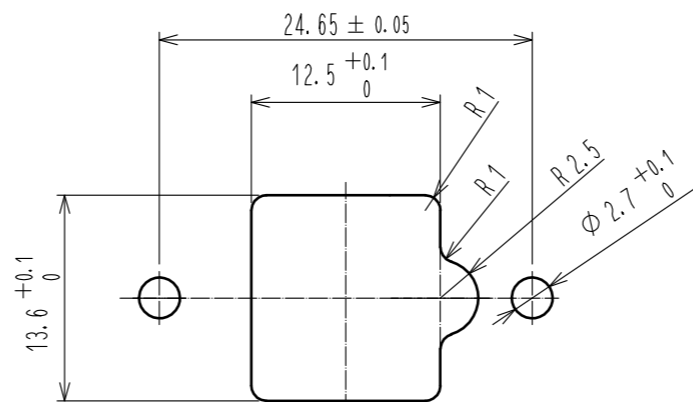
Clamp 1 (6.6)

Cable

TJ50L-22PCA

TJ50L-4P-UNIT 5

5 Panel dimensions (reference)
Front-side
(Panel thickness : 1.6mm~2.5mm)



HRS	DRAWING NO.	EDC-128571-00-00
	PART NO.	TJ50L(1)-4P-C(6.6)
	CODE NO.	CL0236-3219-0-00
		3/3

X-ON Electronics

Largest Supplier of Electrical and Electronic Components

Click to view similar products for [I/O Connectors](#) category:

Click to view products by [Hirose](#) manufacturer:

Other Similar products are found below :

[571763P](#) [58098-0628](#) [72.250.1628.2](#) [72.250.2428.2](#) [74720-0505](#) [76.350.0729.0](#) [76871-1403](#) [FCN-244F080-G/1](#) [FCN-260A9920](#) [PCR-E36PM](#) [PCS-XE26MA+](#) [G38A71314B](#) [1571250010](#) [157-22500-3](#) [MS3471L14-19P L/C](#) [192991-0703](#) [172501-4002](#) [172501-6002](#) [FCN-260C008-A/L0](#) [FCN-260C024-AL0](#) [FCN-261Z008](#) [2000314-1](#) [200331-1](#) [PCR-E36FC+](#) [PCS-E28FS+](#) [PCS-XE26SLFD+](#) [PCS-XE26SLFDT+](#) [G730VID08BDC24](#) [U90B2054081210](#) [UE86K842720321](#) [38113800006](#) [DP3AR020WQ1R200](#) [Z4.102.0680.0](#) [500-1040](#) [500-1052](#) [500-1054](#) [ZP-4008-66L](#) [0709821002](#) [DX40-20P\(55\)](#) [5554841-1](#) [MS3474W18-8P-LC*](#) [SM3106F14S-7S-LC](#) [U90B3054061110](#) [U65-E04-4020](#) [ZPF000000000097891](#) [557-262M2-06C](#) [747360449](#) [10099439-003C-TRLF](#) [10137239-0021LF](#) [E9320-001-01](#)