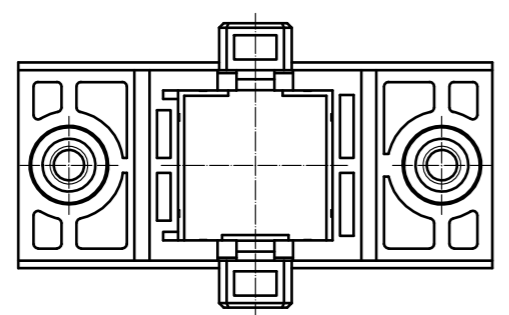
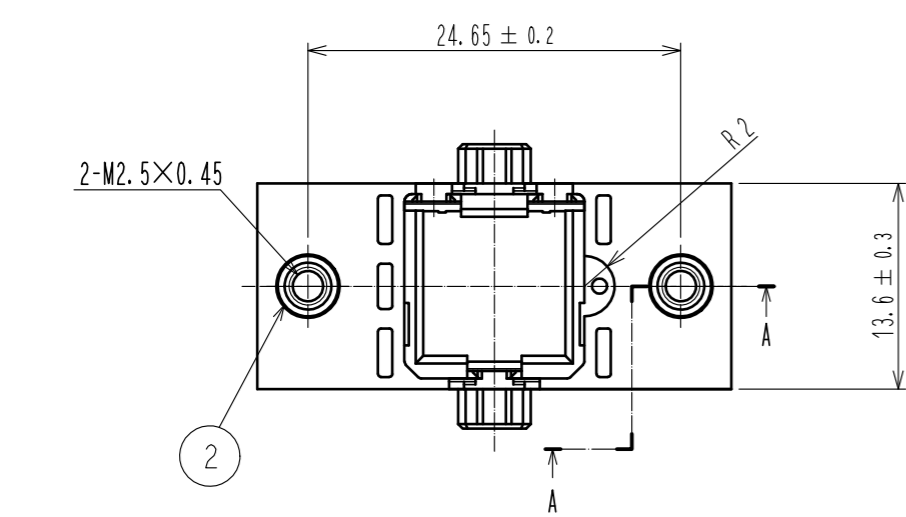
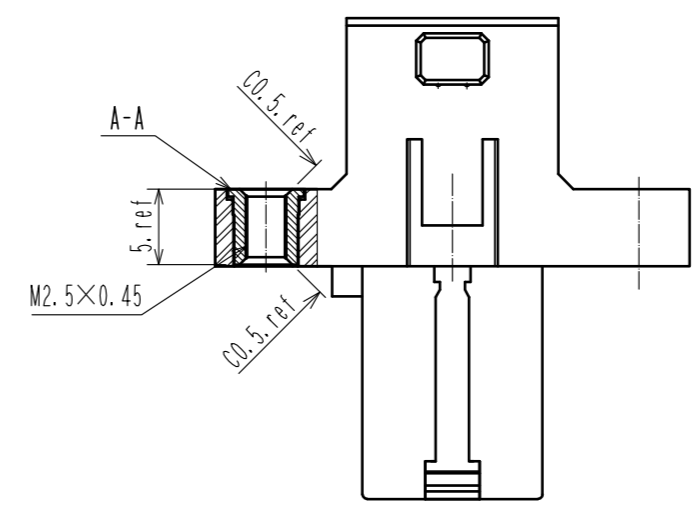
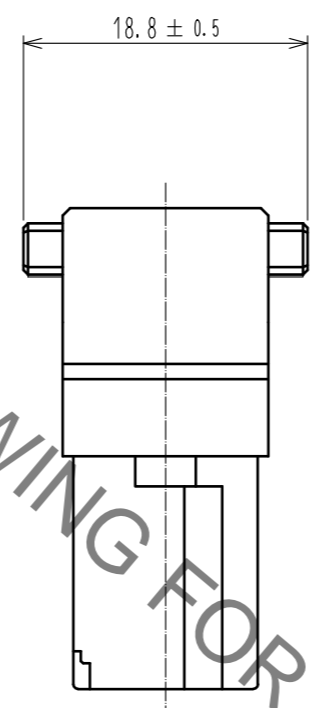
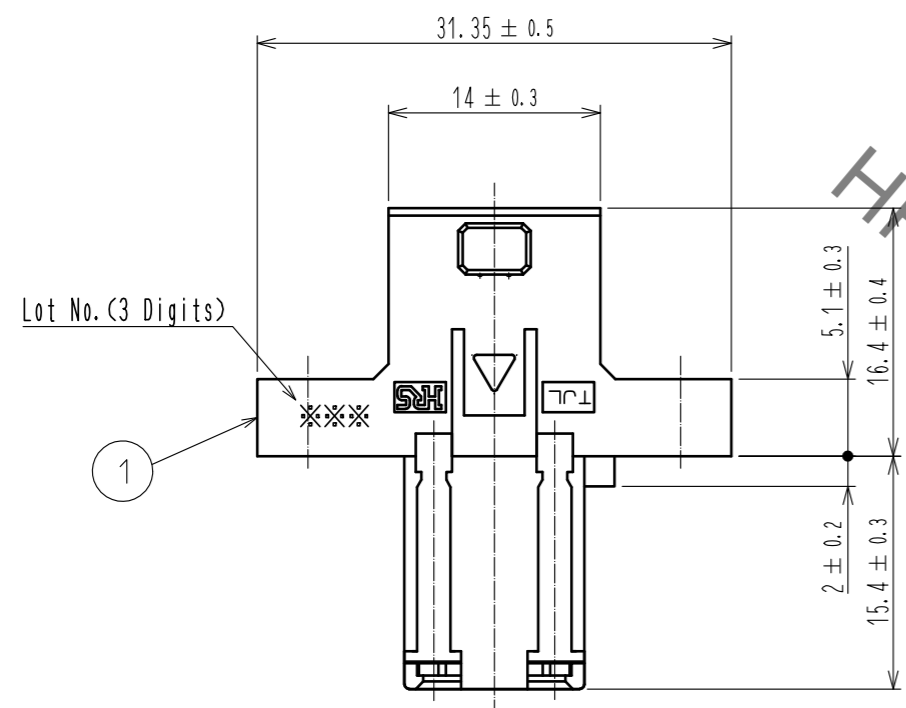


Jan.1.2022 Copyright 2022 HIROSE ELECTRIC CO., LTD. All Rights Reserved.
 In case of consideration for using Automotive equipment / device which demand high reliability, kindly contact our sales window correspondents.



No.	Part name
①	J-Case (1)
②	Insertion nut
③	Hood (1)
④	Clamp 1 (8.4)
⑤	Pan head machine screw



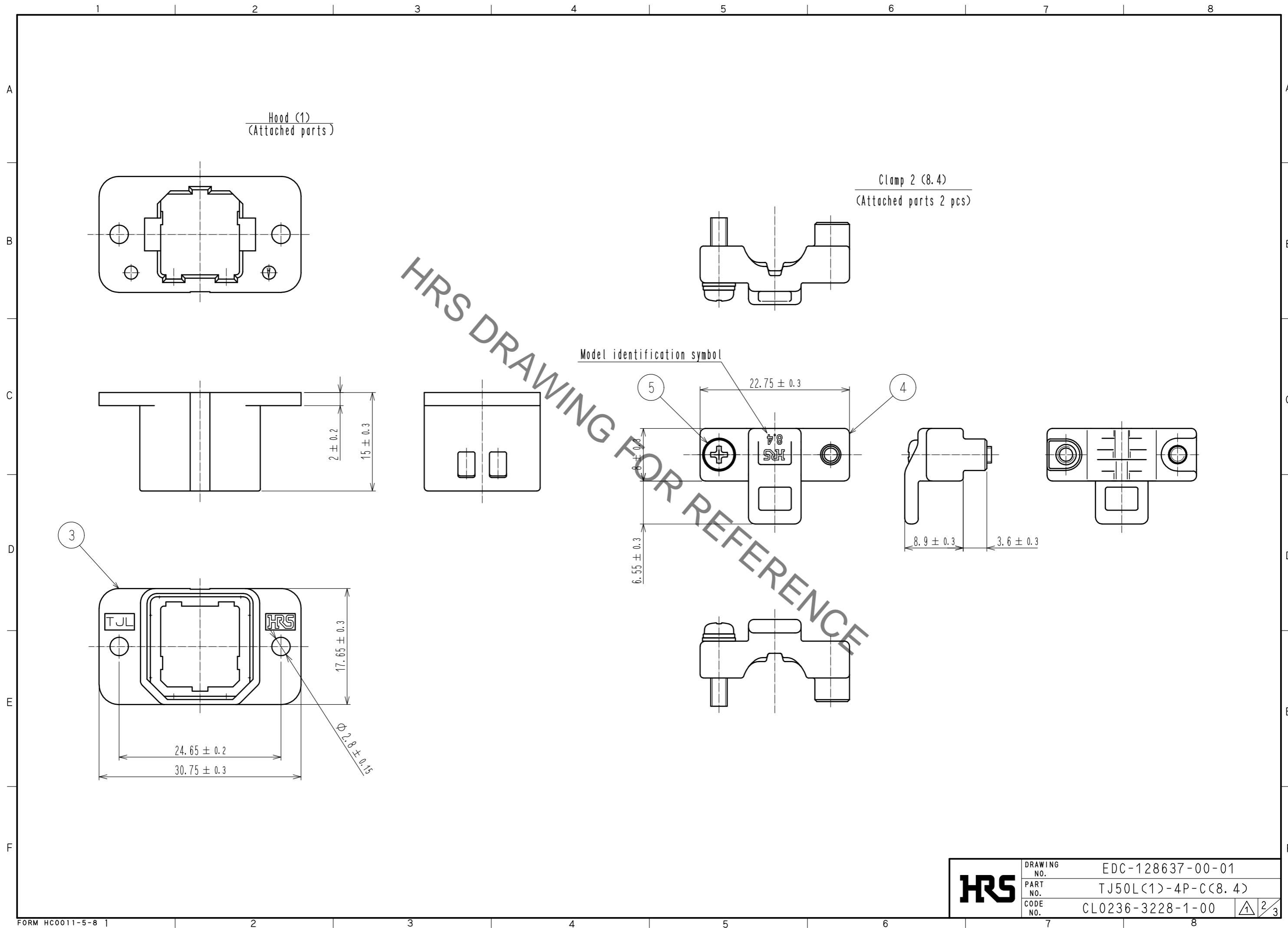
- Note
- This product will be mated with the TJ*L series 1 part plug. The TJ50L-4P-UNIT will be inserted in this product. Please check the ETAD-E3078 assembly manual (1 Part assembly manual) for further details.
 - The key to prevent a mismatching (sold separately) can be inserted in the places which are shown in the drawing.
 - The recommended tightening torque of the pan head machine screw to be 0.36 ± 0.07 N·m. To ensure a good balance between left and right, please tighten the pan head machine screws alternately.
 - The recommended tightening torque of a screw to fasten this product with the panel to be 0.36 ± 0.07 N·m.
 - The shortest clearance distance between the TJ50L-4P-UNIT J-Shield plate and the panel is 1.95 ± 0.3 mm.
 - As a countermeasure for vibration, please fixate the cable in between of 5 cm from the clamp fittings.
 - The applicable cable profile (outer diameter) is $\phi 8.4 \pm 0.4$ mm.

NO.	MATERIAL	FINISH	REMARKS	NO.	MATERIAL	FINISH	REMARKS
3	PPS	Beige	UL94V-0	5	Steel	M2.5x0.45 Surface : Zinc Plating 3μm MIN. Finish : Trivalent chromate treatment	①
2	Brass	Nickel plating	M2.5x0.45				
1	PBT	Dark grey	UL94V-0	4	Zinc alloy	Under : Copper Plating 10μm MIN. Surface : Nickel Plating 5μm MIN.	①

UNITS	SCALE	COUNT	DESCRIPTION OF REVISIONS	DESIGNED	CHECKED	DATE
mm	2 : 1	2	DIS-E-00004258	HY. MATSUDA	TU. TANIGUCHI	20210226

APPROVED	CHECKED	DESIGNED	DRAWN	DRAWING NO.	PART NO.	CODE NO.
TU. TANIGUCHI	TU. TANIGUCHI	KN. ICHIKAWA	CT. YAMAMOTO	EDC-128637-00-01	TJ50L(1)-4P-C(8.4)	CL0236-3228-1-00

Jan.1.2022 Copyright 2022 HIROSE ELECTRIC CO., LTD. All Rights Reserved.
In case of consideration for using Automotive equipment / device which demand high reliability, kindly contact our sales window correspondents.

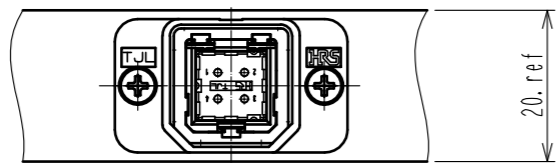
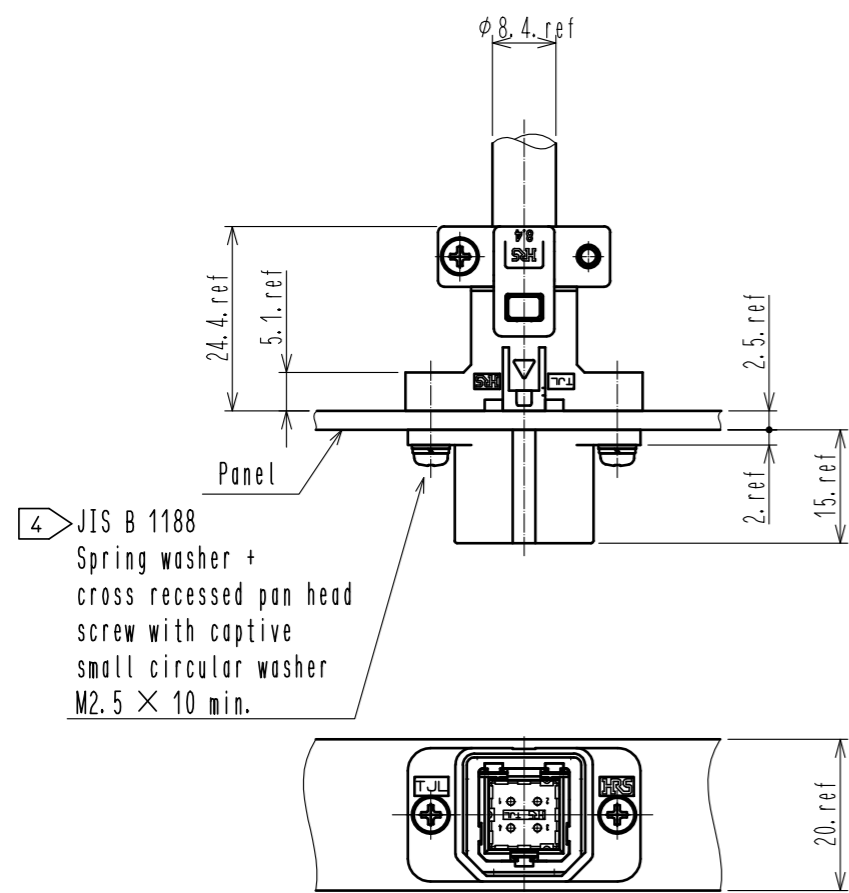


HRS	DRAWING NO.	EDC-128637-00-01
	PART NO.	TJ50L(1)-4P-C(8.4)
	CODE NO.	CL0236-3228-1-00
		2/3

Jan.1.2022 Copyright 2022 HIROSE ELECTRIC CO., LTD. All Rights Reserved.
 In case of consideration for using Automotive equipment / device which demand high reliability, kindly contact our sales window correspondents.

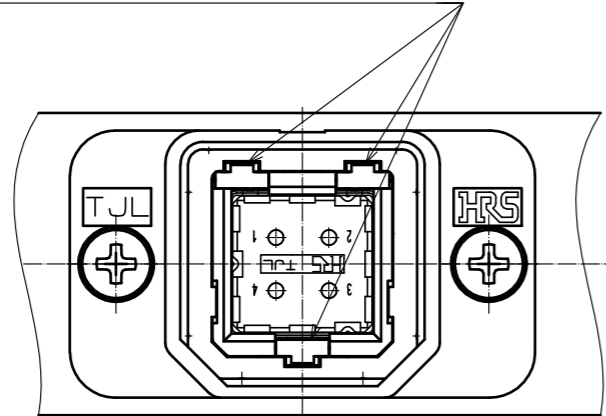
After wiring state (1:1)

Thickness of compatible : 1.6 to 2.5 mm

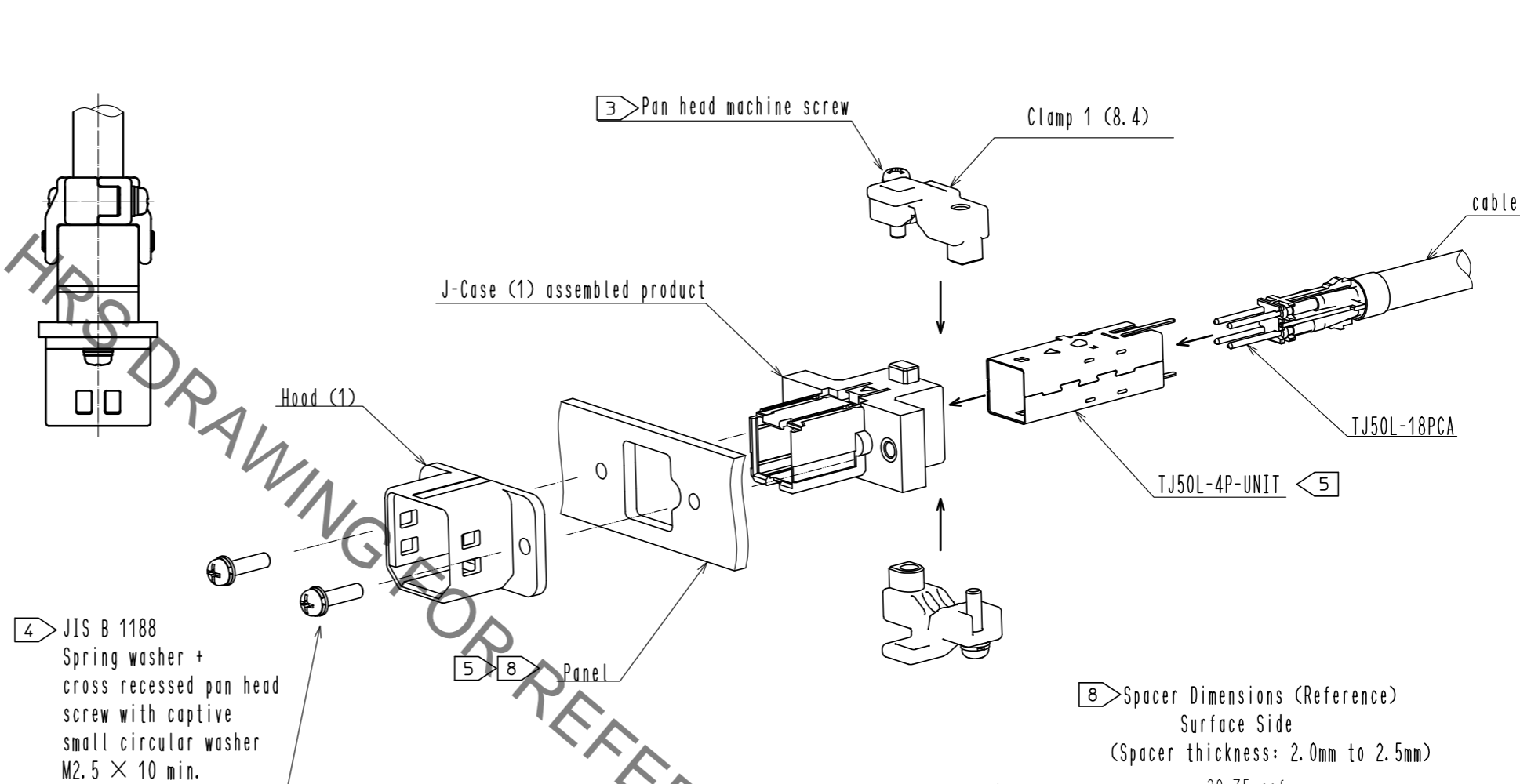


2 Key to prevent mismatching

Key to prevent mismatching (sold separately)
 (Part name:TJL-KY, Code number:CL236-3209-7-00)

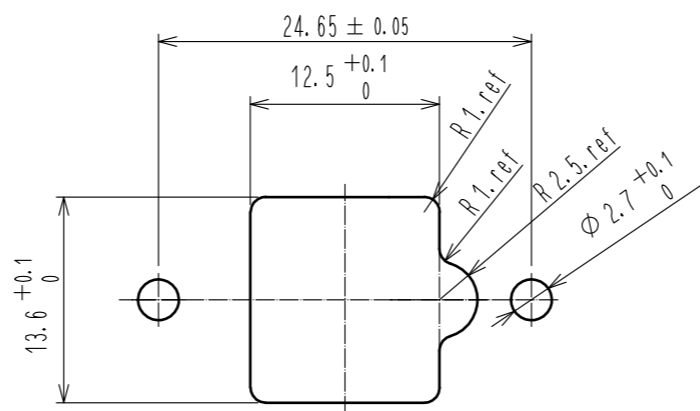


Exploded view drawing (FREE)

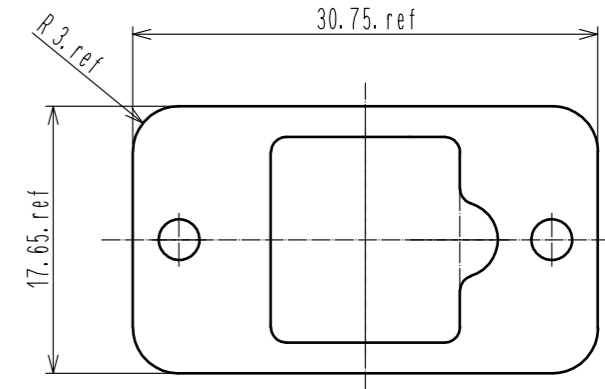


4 JIS B 1188 Spring washer + cross recessed pan head screw with captive small circular washer M2.5 x 10 min.

5 8 Panel dimensions (reference)
 Front-side
 (Panel thickness : 1.6 to 2.5 mm)



8 Spacer Dimensions (Reference)
 Surface Side
 (Spacer thickness: 2.0mm to 2.5mm)



8 If you do not secure this connector to the panel, put a spacer between the hood (2) and the J-case (2) assembly. Please refer to the panel reference dimensions for spacer cutout dimensions.

Example of spacer material: 30% PBT resin glass, UL94V-0
 (Please select a material while considering the operating environment and other factors.)
 Please secure the cable at around 30mm from the clamp retention tabs on both sides of the connector to prevent vibration.

HRS	DRAWING NO.	EDC-128637-00-01
	PART NO.	TJ50L(1)-4P-C(8.4)
	CODE NO.	CL0236-3228-1-00

X-ON Electronics

Largest Supplier of Electrical and Electronic Components

Click to view similar products for [I/O Connectors](#) category:

Click to view products by [Hirose](#) manufacturer:

Other Similar products are found below :

[571763P](#) [61-168618-12P](#) [72.250.1628.2](#) [72.250.2428.2](#) [74720-0505](#) [76.350.0729.0](#) [76871-1403](#) [MP-5T180MUNNA-005](#) [PCR-E36PM](#) [PCS-XES68MS+](#) [G38A71314B](#) [9776-18-6](#) [1571250010](#) [157-22500-3](#) [MS3471L14-19P L/C](#) [192991-0703](#) [91-644626-35P](#) [SM3100F14S-58S](#)
[172501-6002](#) [FCN-260C008-A/L0](#) [FCN-260C024-AL0](#) [FCN-261Z008](#) [2000314-1](#) [200331-1](#) [PCR-E36FC+](#) [PCS-E28FS+](#) [PCS-XE26SLFD+](#)
[PCS-XE26SLFDT+](#) [G730VID08BDC24](#) [HDMR-29-01-S-SM-TR](#) [HDRA-E68W1LFDTC-SL+](#) [HDR-E14MSG1+](#) [54182-0605](#) [38113800006](#)
[DP3AR020WQ1R200](#) [Z4.102.0680.0](#) [500-1040](#) [500-1052](#) [500-1054](#) [ZP-4008-66L](#) [10-584459-12P](#) [SM3106F14S-7S-LC](#) [SM3106R18-18S](#)
[U90B3054061110](#) [U65-E04-4020](#) [ZPF000000000097891](#) [557-262M2-06C](#) [60-042222-02S](#) [10099439-003C-TRLF](#) [226-0348-000](#)