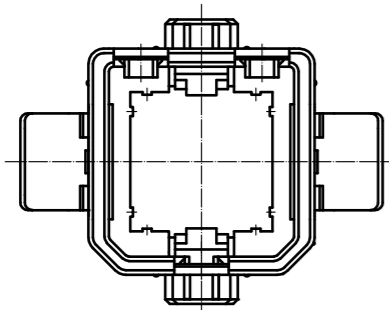
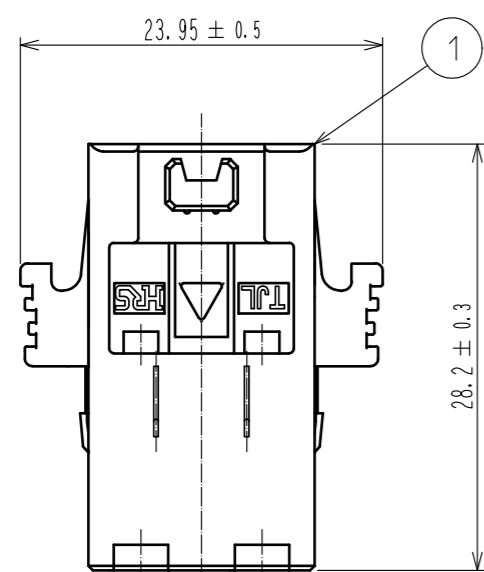
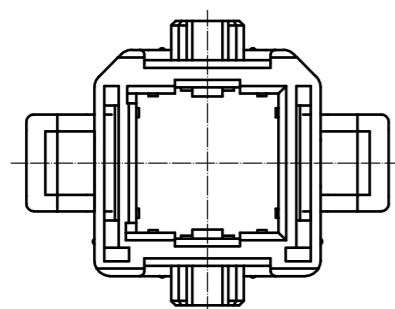
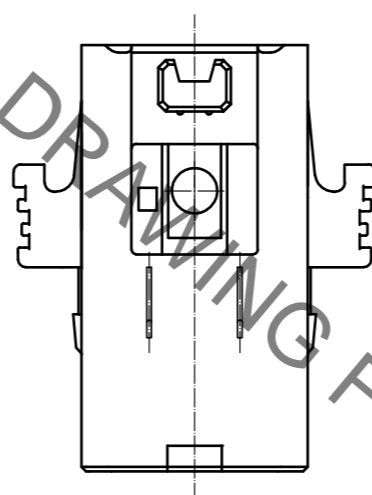
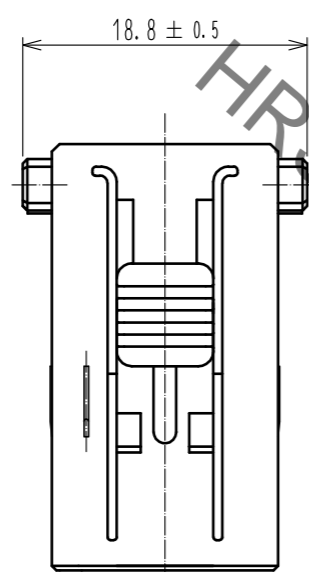


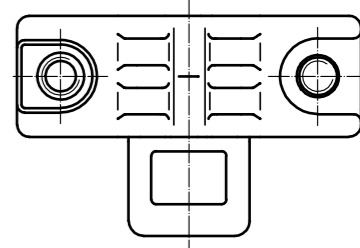
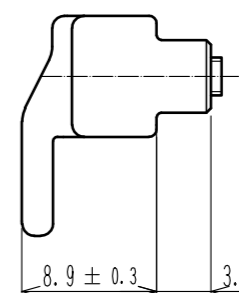
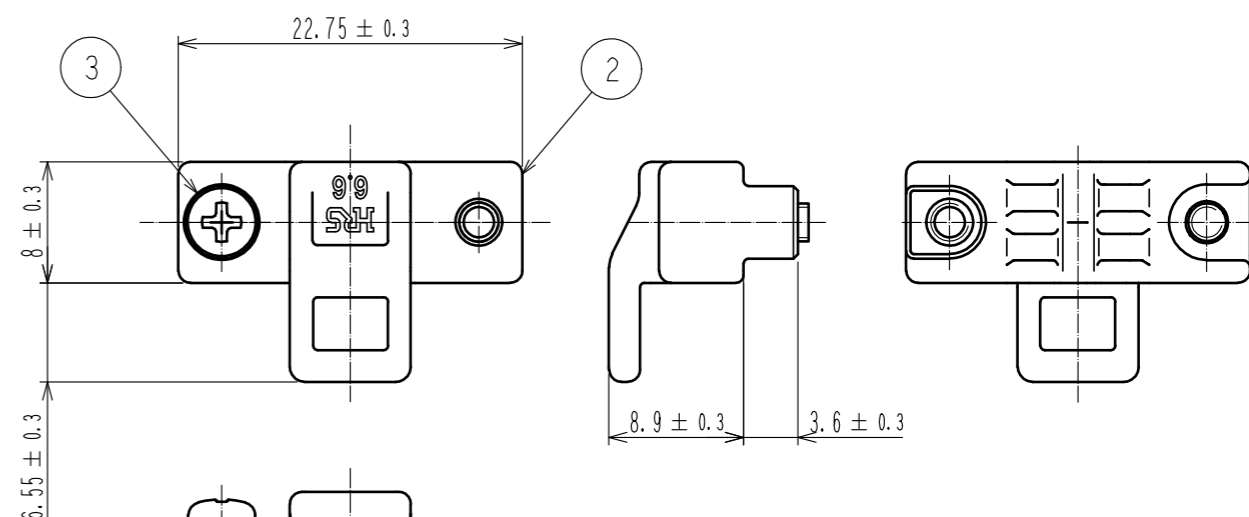
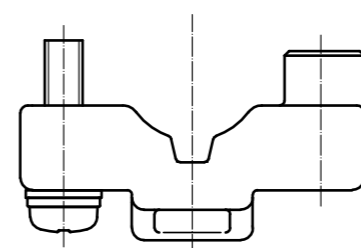
Sep.1.2021 Copyright 2021 HIROSE ELECTRIC CO., LTD. All Rights Reserved.
In case of consideration for using Automotive equipment / device which demand high reliability, kindly contact our sales window correspondents.



No.	Part name
①	P-Case (1)
②	Clamp 1 (6.6)
③	Pan head machine screw



Clamp 1 (6.6)
(Attached parts 2 pcs)



- Note
- This product will be mated with the TJ*L series 1 port jack. The TJ50L-4S-UNIT will be inserted in this product. Please check the ETAD-E3078 assembly manual for further details.
 - The key to prevent a mismatching (sold separately) can be inserted in the places which are shown in the drawing.
 - The recommended tightening torque of the pan head machine screw to be 0.36 ± 0.07 N·m. To ensure a good balance between left and right, please tighten the pan head machine screws alternately.
 - As a countermeasure for vibration, please fixate the cable in between of 150 mm from the clamp fittings.
 - The applicable cable profile (outer diameter) is $\phi 6.6 \pm 0.2$ mm.

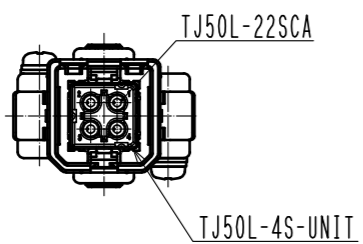
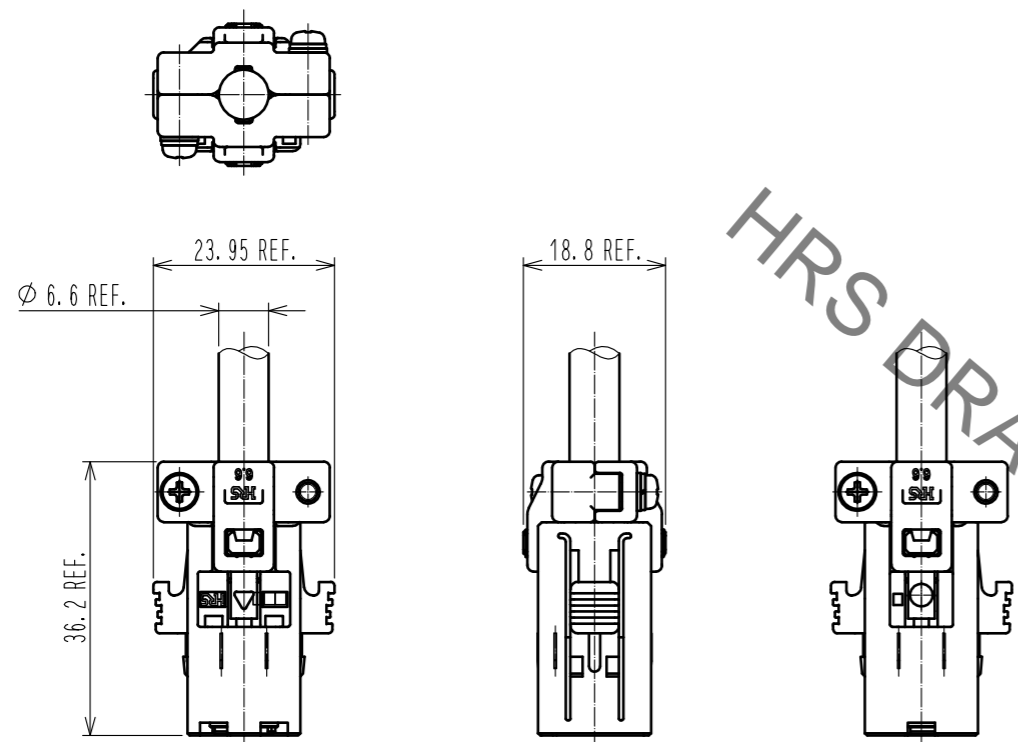
NO.	MATERIAL	FINISH . REMARKS	NO.	MATERIAL	FINISH . REMARKS
2	Zinc alloy	Under : Copper Plating 10μm MIN. Surface : Nickel Plating 5μm MIN.	3	Steel	M2.5×0.45 Surface : Zinc Plating 3μm MIN. Finish : Trivalent chromate treatment
1	PPS resin	Beige UL94V-0			

UNITS	SCALE	COUNT	DESCRIPTION OF REVISIONS	DESIGNED	CHECKED	DATE
mm	2 : 1	2	DIS-E-00004258	HY. MATSUDA	TU. TANIGUCHI	20210226

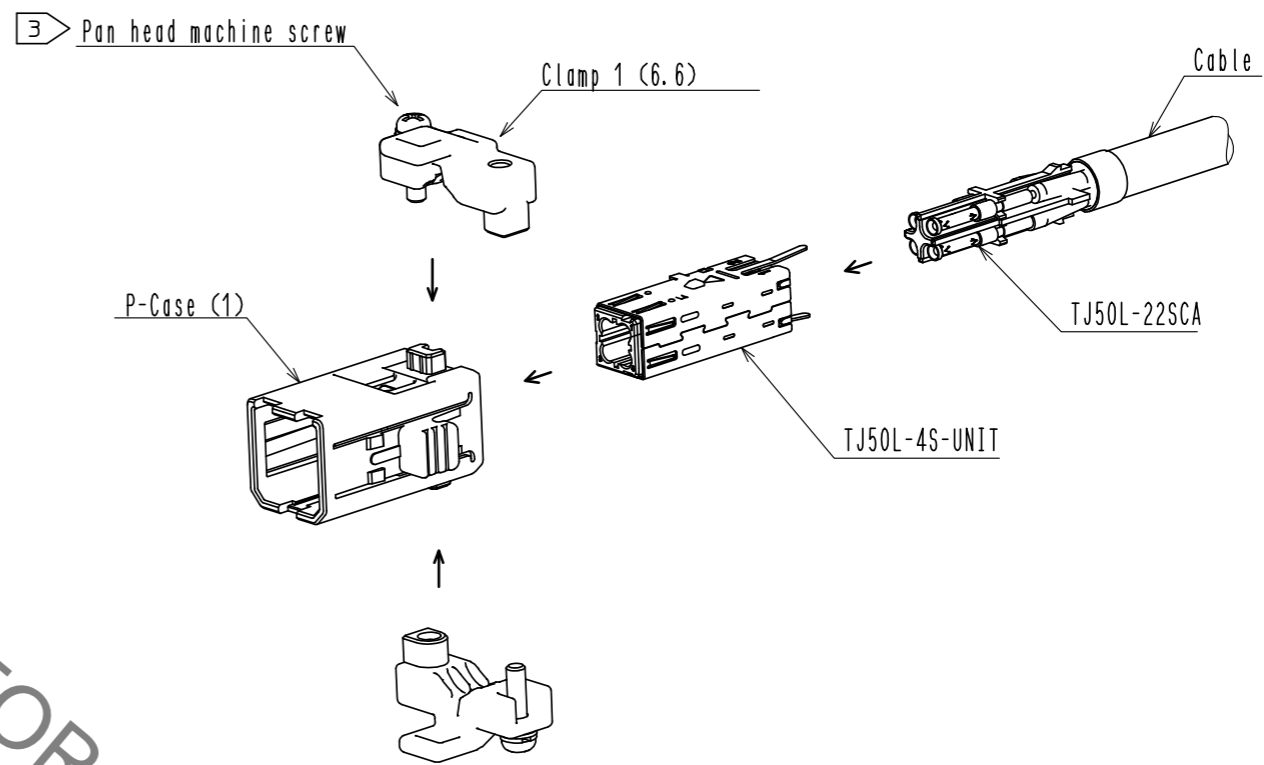
APPROVED	: RI. TAKAYASU	20160405	DRAWING NO.	EDC-128275-00-00
CHECKED	: AH. KODAMA	20160405	PART NO.	TJ50L(1)-4S-C(6.6)
DESIGNED	: TA. TORIHARA	20160405	CODE NO.	CL0236-3211-9-00
DRAWN	: TA. TORIHARA	20160405		

Sep.1.2021 Copyright 2021 HIROSE ELECTRIC CO., LTD. All Rights Reserved.
 In case of consideration for using Automotive equipment / device which demand high reliability, kindly contact our sales window correspondents.

Mounted state drawing (Cable mounted) (1 : 1)

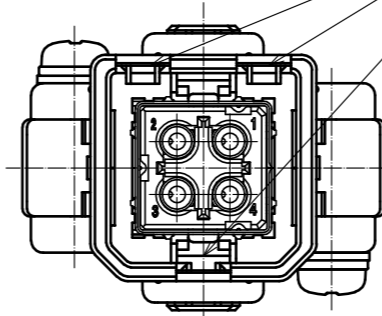


Exploded view drawing (FREE)



2 Keys to prevent mismatching

Keys to prevent mismatching (sold separately)
 (Part number:TJL-KY , Code number:CL236-3209-7-00)



HRS DRAWING FOR REFERENCE

HRS	DRAWING NO.	EDC-128275-00-00	
	PART NO.	TJ50L(1)-4S-C(6.6)	
	CODE NO.	CL0236-3211-9-00	2/2

X-ON Electronics

Largest Supplier of Electrical and Electronic Components

Click to view similar products for [I/O Connectors](#) category:

Click to view products by [Hirose](#) manufacturer:

Other Similar products are found below :

[571763P](#) [58098-0628](#) [72.250.1628.2](#) [72.250.2428.2](#) [74720-0505](#) [76.350.0729.0](#) [76871-1403](#) [FCN-244F080-G/1](#) [FCN-260A9920](#) [MP-5T180MUNNA-005](#) [PCR-E36PM](#) [PCS-XE26MA+](#) [G38A71314B](#) [1571250010](#) [157-22500-3](#) [MS3471L14-19P L/C](#) [192991-0703](#) [172501-4002](#) [172501-6002](#) [FCN-260C008-A/L0](#) [FCN-260C024-AL0](#) [FCN-261Z008](#) [2000314-1](#) [200331-1](#) [PCR-E36FC+](#) [PCS-E28FS+](#) [PCS-XE26SLFD+](#) [PCS-XE26SLFDT+](#) [G730VID08BDC24](#) [HDR-E14MSG1+](#) [U90B2054081210](#) [UE86K842720321](#) [38113800006](#)
[DP3AR020WQ1R200](#) [Z4.102.0680.0](#) [500-1040](#) [500-1052](#) [500-1054](#) [ZP-4008-66L](#) [0709821002](#) [DX40-20P\(55\)](#) [5554841-1](#) [MS3474W18-8P-LC*](#) [SM3106F14S-7S-LC](#) [U90B3054061110](#) [U65-E04-4020](#) [ZPF000000000097891](#) [557-262M2-06C](#) [747360449](#) [10099439-003C-TRLF](#)