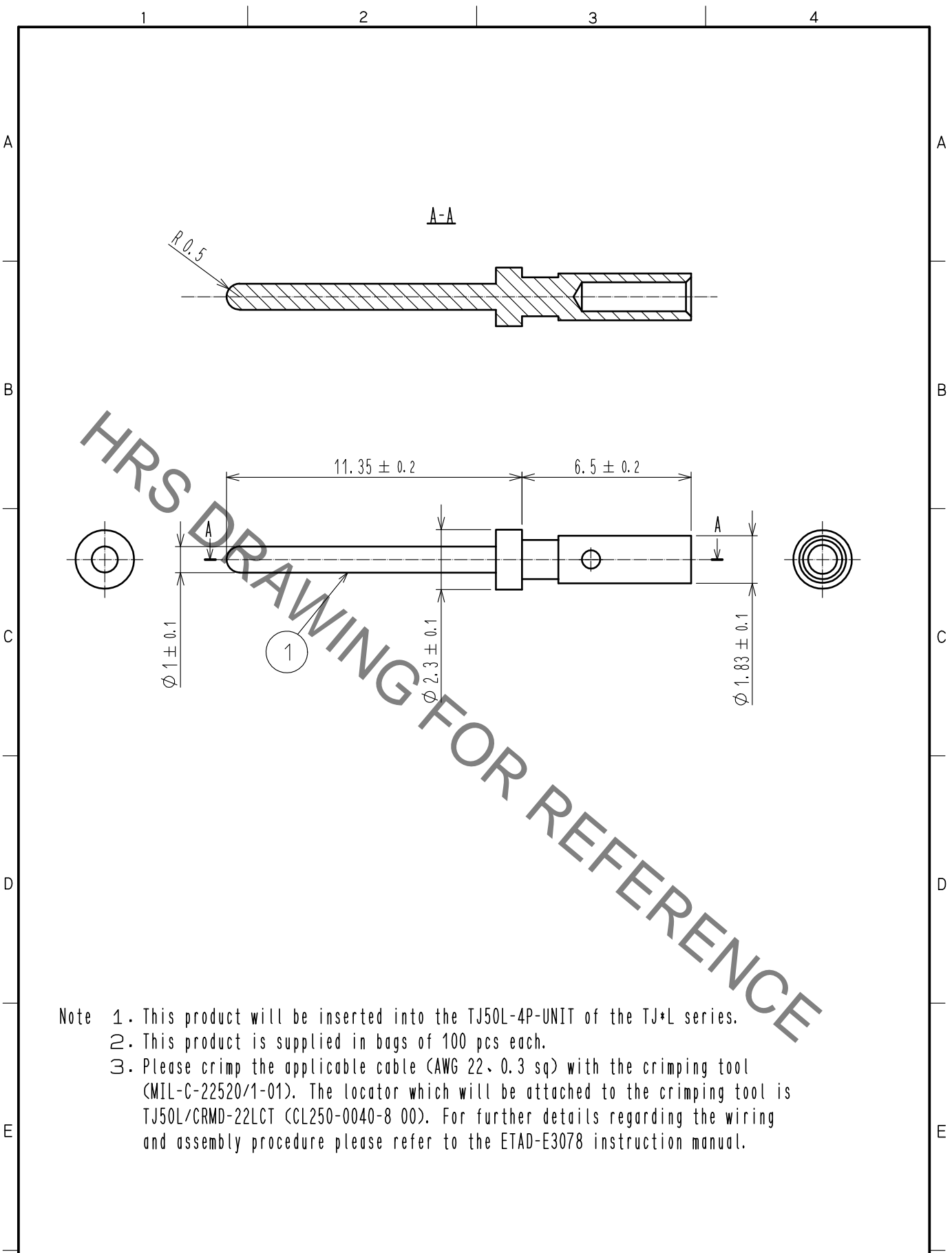


Sep. 1. 2021 Copyright 2021 HIROSE ELECTRIC CO., LTD. All Rights Reserved.  
 In case of consideration for using Automotive equipment / device which demand high reliability, kindly contact our sales window correspondents.



- Note
1. This product will be inserted into the TJ50L-4P-UNIT of the TJ\*L series.
  2. This product is supplied in bags of 100 pcs each.
  3. Please crimp the applicable cable (AWG 22, 0.3 sq) with the crimping tool (MIL-C-22520/1-01). The locator which will be attached to the crimping tool is TJ50L/CRMD-22LCT (CL250-0040-8 00). For further details regarding the wiring and assembly procedure please refer to the ETAD-E3078 instruction manual.

| 1   | Brass    | Gold plating, contact area 0.76 μm min. crimping area 0.1 μm min. |            |                          |                 |                  |         |      |
|---|----------|---|------------|--------------------------|-----------------|------------------|---------|------|
| NO.   | MATERIAL | FINISH . REMARKS  |            | NO.                      | MATERIAL        | FINISH . REMARKS |         |      |
| UNITS<br>mm                                   |          | SCALE<br>5 : 1  | COUNT<br>  | DESCRIPTION OF REVISIONS |                 | DESIGNED         | CHECKED | DATE |
| <b>HRS</b><br>HIROSE<br>ELECTRIC<br>CO., LTD. | APPROVED | :RI. TAKAYASU   | 16. 07. 06 | DRAWING<br>NO.           | EDC4-128279-00  |                  |         |      |
|   | CHECKED  | :AH. KODAMA   | 16. 07. 05 | PART<br>NO.              | TJ50L-22PCA     |                  |         |      |
|   | DESIGNED | :TA. TORIHARA   | 16. 07. 05 | CODE<br>NO.              | CL236-3215-0-00 |                  | 1/1     |      |
|   | DRAWN    | :TA. TORIHARA   | 16. 07. 05 |                          |                 |                  |         |      |

## X-ON Electronics

Largest Supplier of Electrical and Electronic Components

*Click to view similar products for [I/O Connectors](#) category:*

*Click to view products by [Hirose](#) manufacturer:*

Other Similar products are found below :

[571763P](#) [58098-0628](#) [72.250.1628.2](#) [72.250.2428.2](#) [74720-0505](#) [76.350.0729.0](#) [76871-1403](#) [FCN-244F080-G/1](#) [FCN-260A9920](#) [PCR-E36PM](#) [PCS-XE26MA+](#) [G38A71314B](#) [1571250010](#) [157-22500-3](#) [MS3471L14-19P L/C](#) [192991-0703](#) [172501-4002](#) [172501-6002](#) [FCN-260C008-A/L0](#) [FCN-260C024-AL0](#) [FCN-261Z008](#) [2000314-1](#) [200331-1](#) [PCR-E36FC+](#) [PCS-E28FS+](#) [PCS-XE26SLFD+](#) [PCS-XE26SLFDT+](#) [G730VID08BDC24](#) [U90B2054081210](#) [UE86K842720321](#) [38113800006](#) [DP3AR020WQ1R200](#) [Z4.102.0680.0](#) [500-1040](#) [500-1052](#) [500-1054](#) [ZP-4008-66L](#) [0709821002](#) [DX40-20P\(55\)](#) [5554841-1](#) [MS3474W18-8P-LC\\*](#) [SM3106F14S-7S-LC](#) [U90B3054061110](#) [U65-E04-4020](#) [ZPF000000000097891](#) [557-262M2-06C](#) [747360449](#) [10099439-003C-TRLF](#) [10137239-0021LF](#) [E9320-001-01](#)