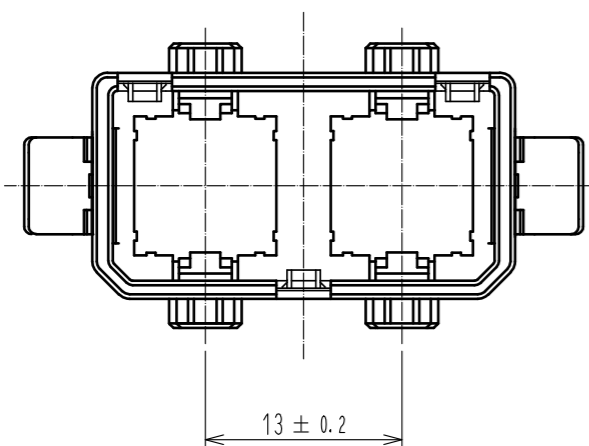
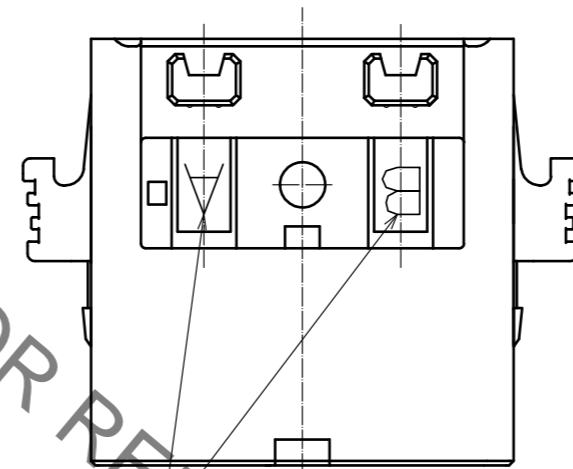
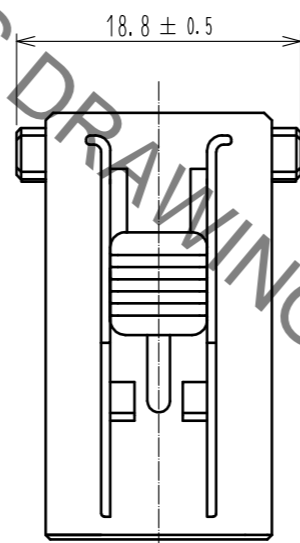
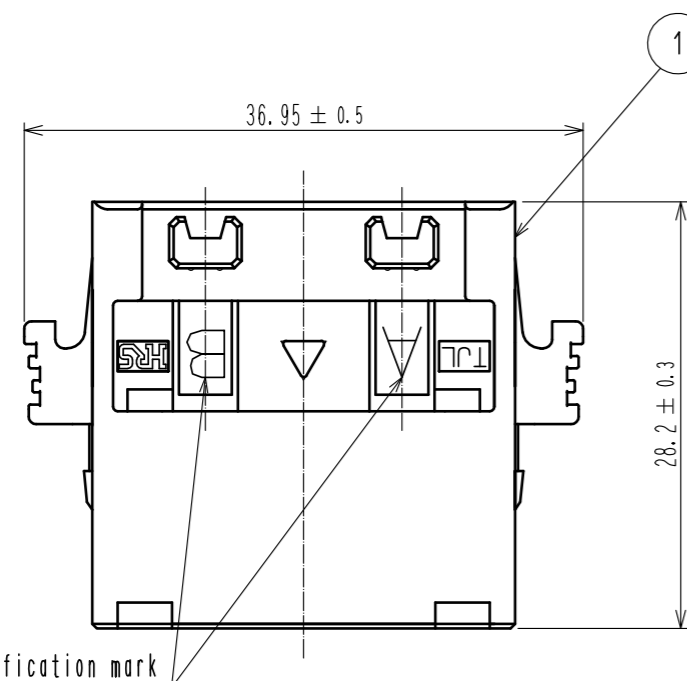
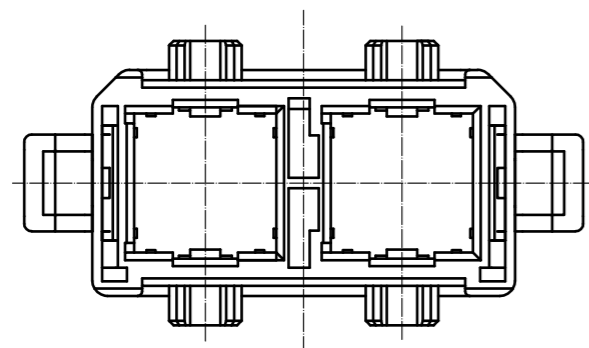


Sep.1.2021 Copyright 2021 HIROSE ELECTRIC CO., LTD. All Rights Reserved.
In case of consideration for using Automotive equipment / device which demand high reliability, kindly contact our sales window correspondents.



Part no.	Part name
①	P-Case (2)
②	Clamp 2 (8.4)
③	Pan head machine screw

Port identification mark

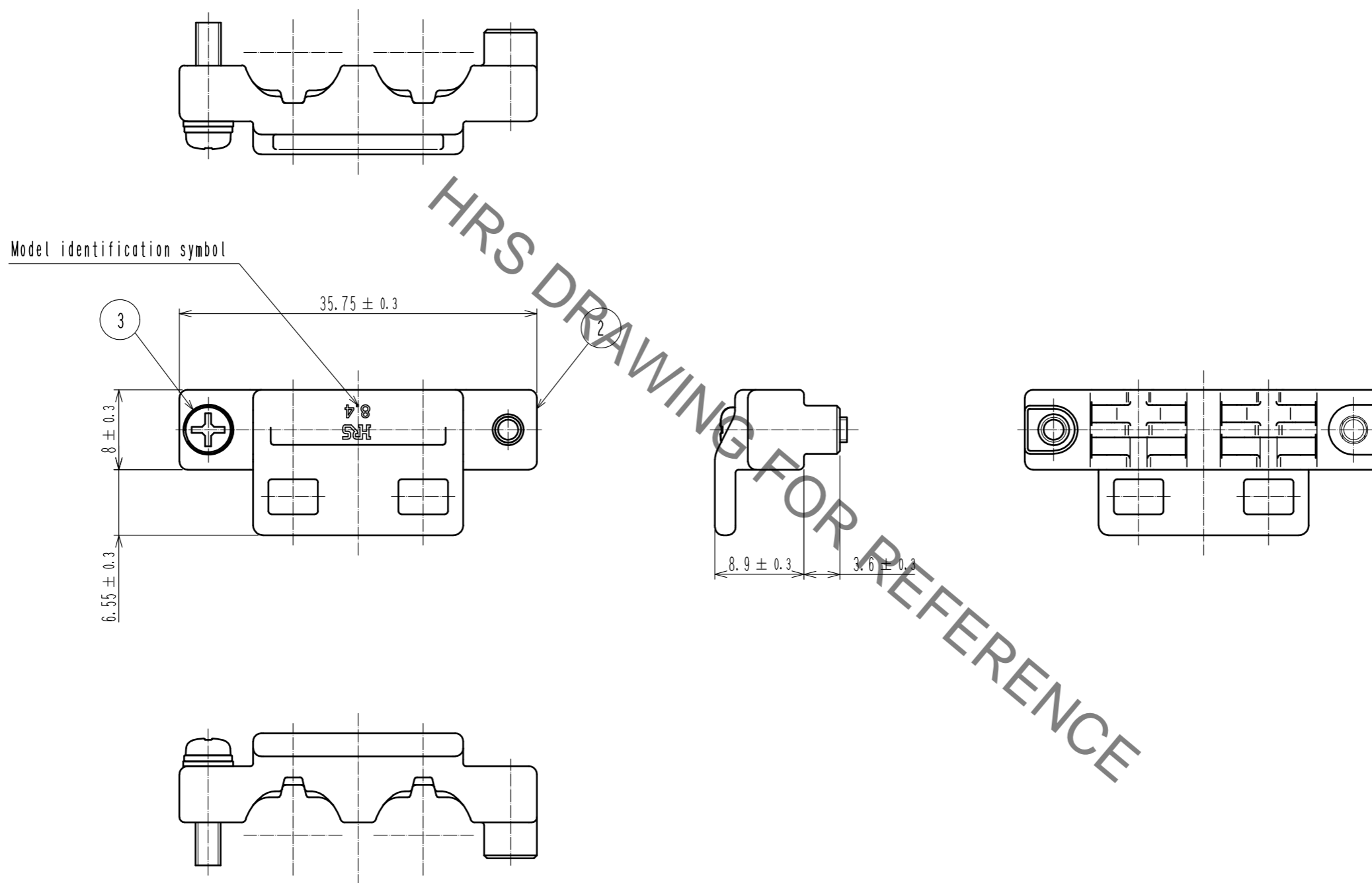
Port identification mark

- Note
- This product will be mated with the TJ*L series 2 port jack. The TJ50L-4S-UNIT will be inserted in this product. Please check the ETAD-E3078 assembly manual (1 Port assembly manual) for further details.
 - The key to prevent a mismatching (sold separately) can be inserted in the places which are shown in the drawing.
 - The recommended tightening torque of the pan head machine screw to be $0.36 \pm 0.07 \text{ N} \cdot \text{m}$. To ensure a good balance between left and right, please tighten the pan head machine screws alternately.
 - As a countermeasure for vibration, please fixate the cable in between of 150 mm from the clamp fittings.
 - The applicable cable profile (outer diameter) is $\phi 8.4 \pm 0.4 \text{ mm}$.

2	Zinc alloy	Under : Copper Plating 10 μ m MIN. Surface : Nickel Plating 5 μ m MIN.	3	Steel	M2.5 \times 0.45 Surface : Zinc Plating 3 μ m MIN. Finish : Trivalent chromate treatment
1	PPS resin	Beige UL94V-0			
NO.	MATERIAL	FINISH . REMARKS	NO.	MATERIAL	FINISH . REMARKS
UNITS mm		SCALE 2 : 1	COUNT 2	DESCRIPTION OF REVISIONS DIS-E-00004258	
HRS HIROSE ELECTRIC CO., LTD.		APPROVED : RI. TAKAYASU 20161025	DRAWING NO. EDC-128674-00-00		
		CHECKED : AH. KODAMA 20161024	PART NO. TJ50L(2)-8S-C(8.4)		
		DESIGNED : TA. TORIHARA 20161024	CODE NO. CL0236-3230-3-00		
		DRAWN : TA. TORIHARA 20161024	1/3		

Sep.1.2021 Copyright 2021 HIROSE ELECTRIC CO., LTD. All Rights Reserved.
In case of consideration for using Automotive equipment / device which demand high reliability, kindly contact our sales window correspondents.

Clamp 2 (8.4)
(Attached parts 2 pcs)

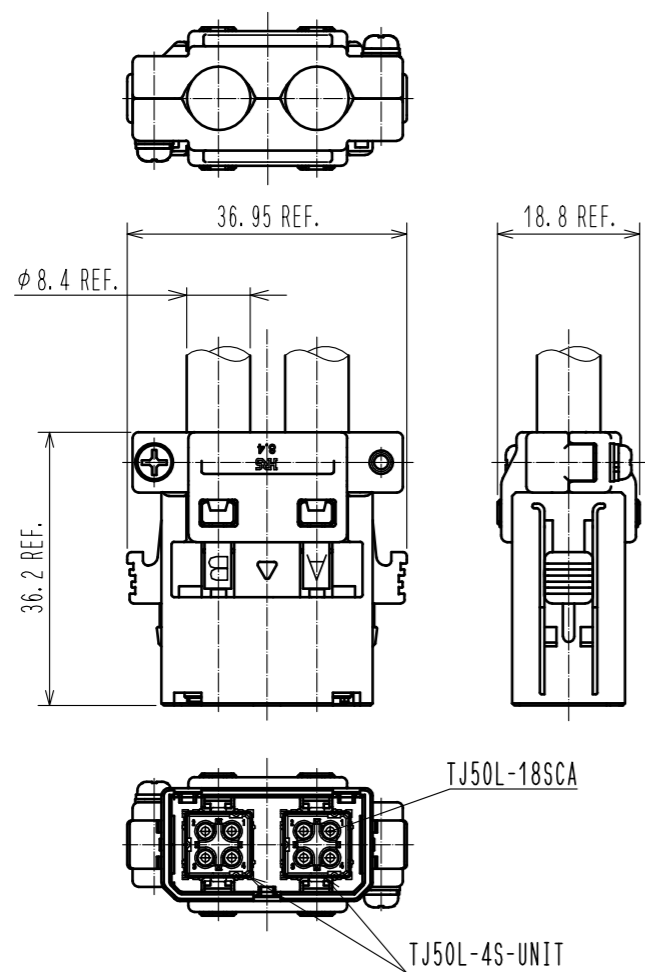


HRS	DRAWING NO.	EDC-128674-00-00
	PART NO.	TJ50L(2)-8S-C(8.4)
	CODE NO.	CL0236-3230-3-00

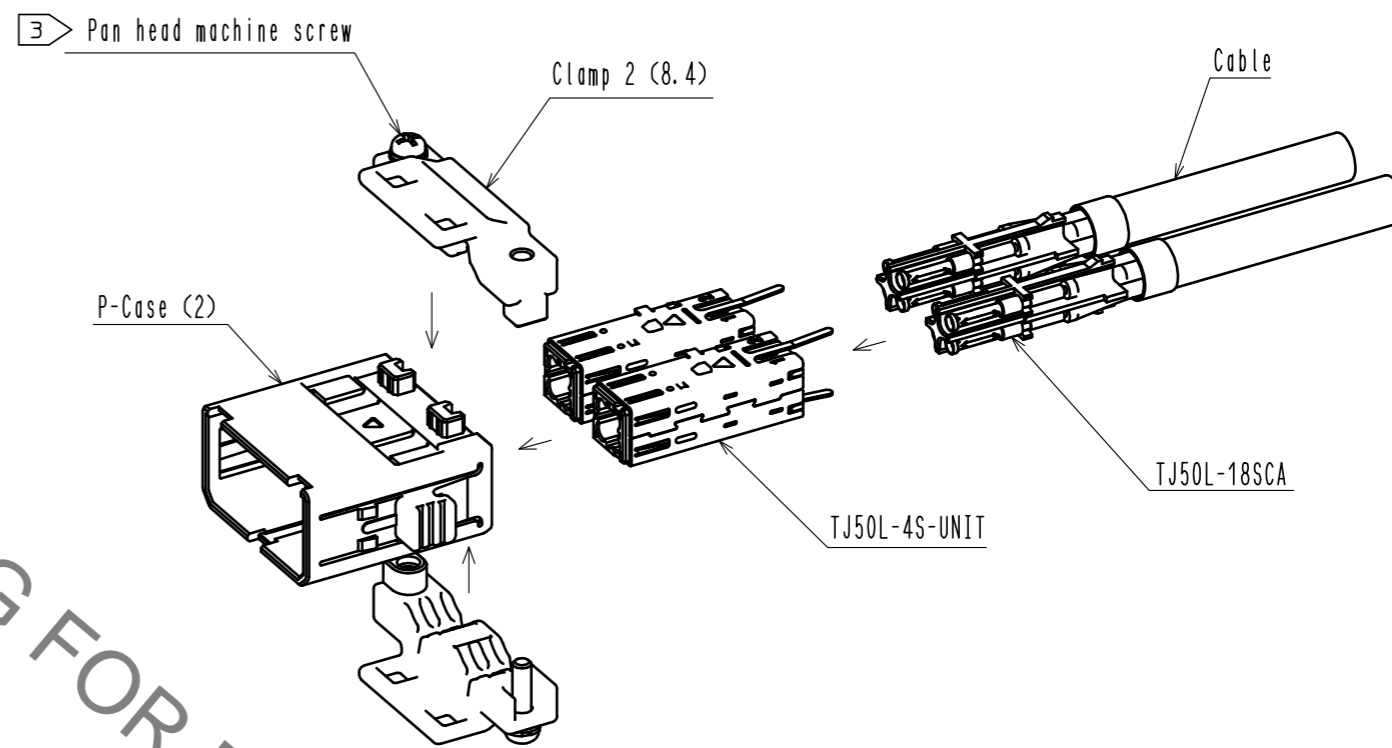
2/3

Sep.1.2021 Copyright 2021 HIROSE ELECTRIC CO., LTD. All Rights Reserved.
In case of consideration for using Automotive equipment / device which demand high reliability, kindly contact our sales window correspondents.

Mounted state drawing (Cable mounted) (1:1)

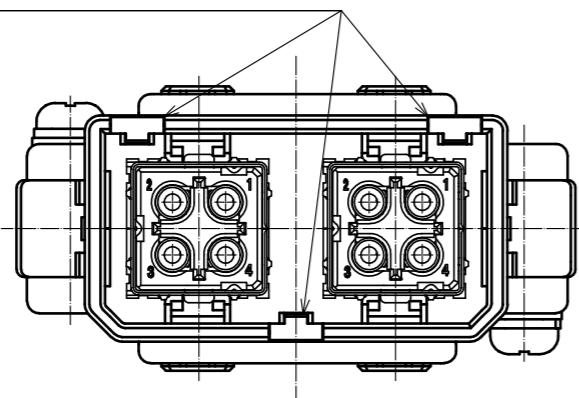


Exploded view drawing (FREE)



2 Key to prevent mismatching

Key to prevent mismatching (sold separately)
(Part number:TJL-KY, Code number:CL236-3209-7-00)



HRS DRAWING FOR REFERENCE

HRS	DRAWING NO.	EDC-128674-00-00
	PART NO.	TJ50L(2)-8S-C(8.4)
	CODE NO.	CL0236-3230-3-00
		$\frac{3}{3}$

X-ON Electronics

Largest Supplier of Electrical and Electronic Components

Click to view similar products for [I/O Connectors](#) category:

Click to view products by [Hirose](#) manufacturer:

Other Similar products are found below :

[571763P](#) [58098-0628](#) [72.250.1628.2](#) [72.250.2428.2](#) [74720-0505](#) [76.350.0729.0](#) [76871-1403](#) [FCN-244F080-G/1](#) [FCN-260A9920](#) [PCR-E36PM](#) [PCS-XE26MA+](#) [G38A71314B](#) [1571250010](#) [157-22500-3](#) [MS3471L14-19P L/C](#) [192991-0703](#) [172501-4002](#) [172501-6002](#) [FCN-260C008-A/L0](#) [FCN-260C024-AL0](#) [FCN-261Z008](#) [2000314-1](#) [200331-1](#) [PCR-E36FC+](#) [PCS-E28FS+](#) [PCS-XE26SLFD+](#) [PCS-XE26SLFDT+](#) [G730VID08BDC24](#) [U90B2054081210](#) [UE86K842720321](#) [38113800006](#) [DP3AR020WQ1R200](#) [Z4.102.0680.0](#) [500-1040](#) [500-1052](#) [500-1054](#) [ZP-4008-66L](#) [0709821002](#) [DX40-20P\(55\)](#) [5554841-1](#) [MS3474W18-8P-LC*](#) [SM3106F14S-7S-LC](#) [U90B3054061110](#) [U65-E04-4020](#) [ZPF000000000097891](#) [557-262M2-06C](#) [747360449](#) [10099439-003C-TRLF](#) [10137239-0021LF](#) [E9320-001-01](#)