

Sep.1.2021 Copyright 2021 HIROSE ELECTRIC CO., LTD. All Rights Reserved.
In case of consideration for using Automotive equipment / device which demand high reliability, kindly contact our sales window correspondents.

COUNT	DESCRIPTION OF REVISIONS	BY	CHKD	DATE	COUNT	DESCRIPTION OF REVISIONS	BY	CHKD	DATE
1	DIS-E-001216	Y.S	Y.E	07.02.22					

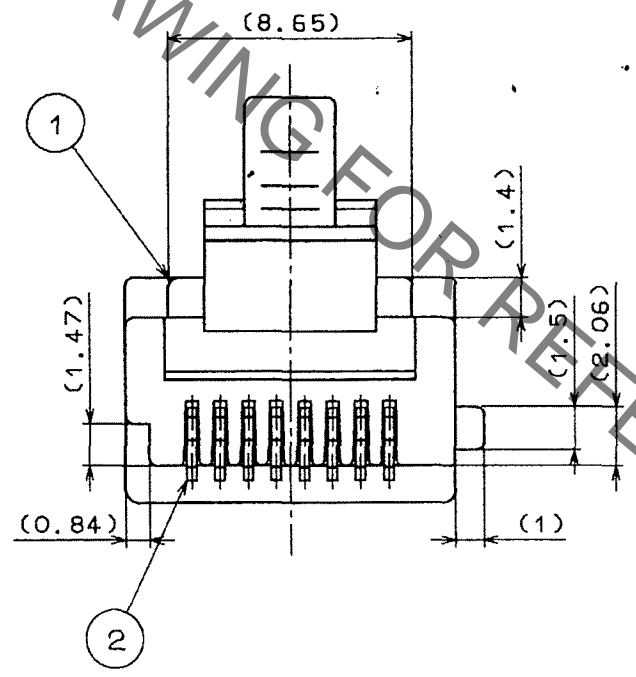
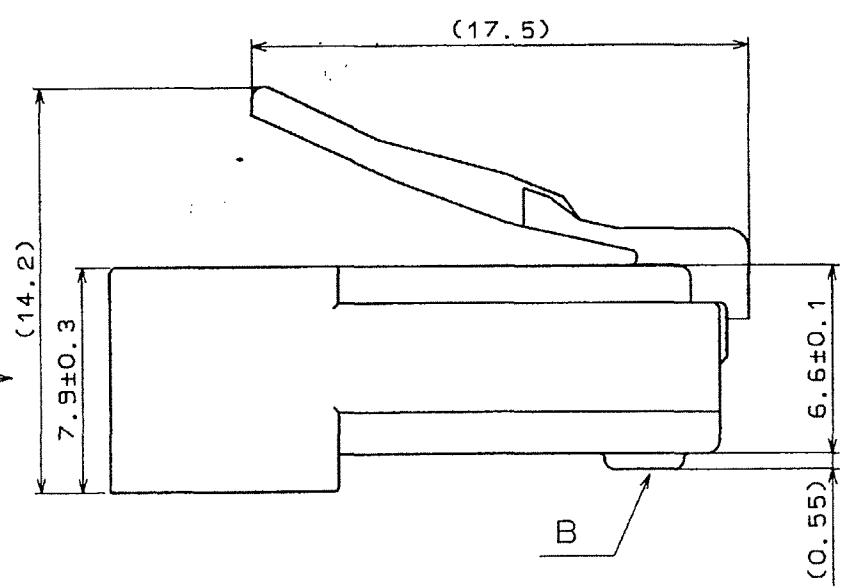
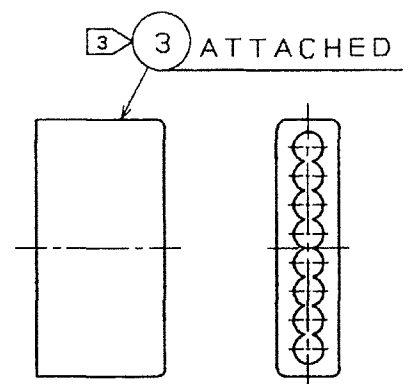
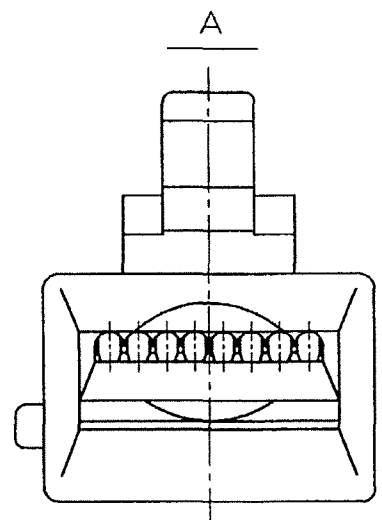
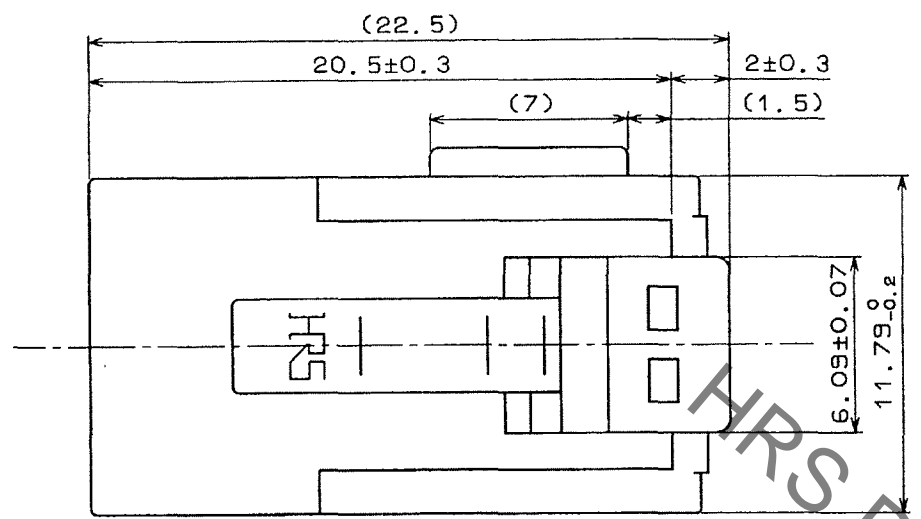
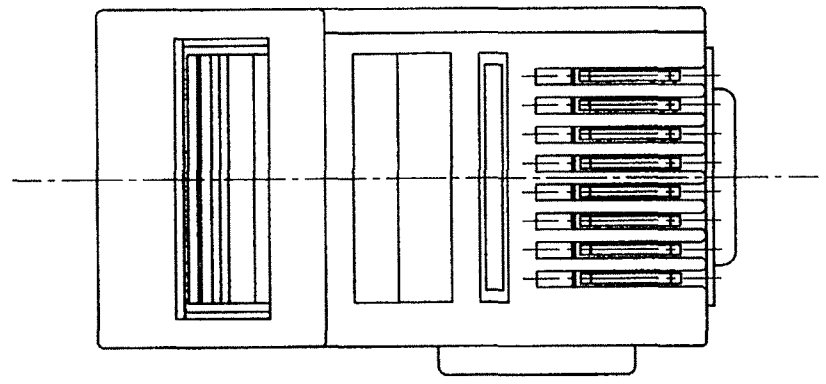


TABLE 1

APPLICABLE CABLE	
<p>CONDUCTOR INSULATOR (OUTER DIAMETER φ0.9~1mm) VINYL SEATH</p>	<p>*THE CABLE SHOWN IS ONE OF THE SAMPLE. *OUTER DIAMETER OF VINYL JACKET CHANGES ACCORDING TO ITO HARDNESS SO THE DIMENSION IN THE FIGURE IS FOR REFERENCE.</p>

- NOTES
- 1 THE DIMENSION IN PARENTHESIS IS FOR REFEREN.
 - 2 APPLICABLE CABLE OF THIS CONNECTOR IS SHOWN IN TABLE-1.
 - 3 ATTACHED SHALL BE USED TO ALIGN WIRES.
(CABLE SHALL BE ASSEMBLED WITH ADAPTOR INSERTED.)
 - 4 THIS PRODUCT CONFORES TO ISO 10173.
 - 5 THE APPLICABLE JACK IS TM5RE4-88(CL222-2776-0).



2	PHOSPHOR BRONZE (B): GOLD PLATING 1.27μm				
1	POLYCARBONATE CLEAR		3	POLYCARBONATE CLEAR	
NO.	MATERIAL	FINISH, REMARKS	NO.	MATERIAL	FINISH, REMARKS

CODE NO. (OLD)	DRAWN	DESIGNED	CHECKED	APPROVED	RELEASED
CL	S.SATO	S.SATO	H.MIWA	S.KIKUTA	
	97.07.17	97.07.17	97.07.17	97.07.17	

<p>SCALE 4 : 1 UNITS mm</p>	<p>DRAWING NO. EDC3-120546</p> <p>HRS HIROSE ELECTRIC CO., LTD</p>	<p>PART NO. TM10P1-88P</p> <p>CODE NO. CL222-2770-2</p>
---	---	---

TO
Q
USA

X-ON Electronics

Largest Supplier of Electrical and Electronic Components

Click to view similar products for [Modular Connectors](#) / [Ethernet Connectors](#) category:

Click to view products by [Hirose](#) manufacturer:

Other Similar products are found below :

[8949-H88/06BLKA/SN](#) [74441-0010/BKN](#) [MP1010RX-1000](#) [MP44RX-1000](#) [PHJ-4P4C-1-V-4](#) [PHP-6P6C-5](#) [GAX-3-66](#) [GAX-8-62](#) [GDCX-PA-66-50](#) [GDCX-PN-64](#) [GDCX-PN-66](#) [GDCX-PN-66-50](#) [GDLX-A-66](#) [GDLX-N-66](#) [GDLX-S-66](#) [GDLX-S-88K](#) [GDTX-S-88-50](#) [GDX-PA-1010](#) [GLX-N-1010M-BLK](#) [GLX-S-88M-BLK](#) [GMX-N-1010](#) [GMX-S-1010](#) [GMX-S-66](#) [GMX-SMT4-N-88](#) [GPX-2-64](#) [GSGX-N-2-88](#) [GSGX-N-4-88](#) [GSX-NS2-88-3.05](#) [GSX-NS2-88-3.05-50](#) [GSX-NS-88-3.68](#) [PT-108A-8C-UL](#) [PT-J951-8C](#) [PTS-J531-8CS-50UL](#) [1-1775629-2](#) [A-2014-0-4](#) [GWLX-S-88-GR](#) [GWLX-S9-88-YG](#) [DC-1021-8-WH-6](#) [1300530003](#) [1324640-4](#) [RJ11FTVC2G](#) [RJ11FTVC2N](#) [RJFTVX2SA1G](#) [132764-001](#) [1413235](#) [MP88X-1000](#) [MPS88RX-5000](#) [MRJR-5481-0F2](#) [E5288-S000K3-L](#) [E5908-15A242-L](#)